

# KAIMAN FIT FOR T-LINK®

## PROFESSIONAL AUTO-DARKENING WELDING HELMET

The auto-darkening helmet KAIMAN is the new entry of the range Sacit®, selected for its excellent value for money, ideal for all applications.

Provided with 4 sensors, inner controls and True Color system, which ensures a clean and clear vision, it allows the operator to distinguish easily the objects in the work area with lower eye strain.

4 arc sensors

large viewing area (100x53 mm)



light and comfortable

CE EN 175  
EN 379



### APPLICATIONS



MIG (GMAW)

TIG (GTAW)

SMAW

OXYGAS

GRINDING

1/1/1/2	mm 100 x 53	mm 110 x 90	4	INTERNAL	DIN 4	TO FROM DIN 4 / 9÷13	UV/IR DIN 16	< 0,3 ms	0,1÷1,0 s
OPTICAL CLASS	VIEWING AREA	FILTER DIMENSIONS	SENSORS	CONTROLS	LIGHT STATE	SHADE RANGE	UV/IR PROTECTION	SWITCHING TIME	DELAY
SENSITIVITY	POWER SUPPLY	REPLACEABLE BATTERIES	LOW BATTERY INDICATOR	NET WEIGHT					

# KAIMAN FIT FOR T-LINK®

## Technical features and functions



- Optical class 1/1/1/2
- Viewing area dimensions: 100x53 mm
- Filter dimensions: 110x90x9 mm
- 4 arc sensors
- Internal shade control DIN 4 / 9-13
- Switching time < 0,3 ms
- Internal delay control: 0,1 - 1.0 s
- Internal sensitivity control
- Powered by battery + solar cells
- Weight: 470 g

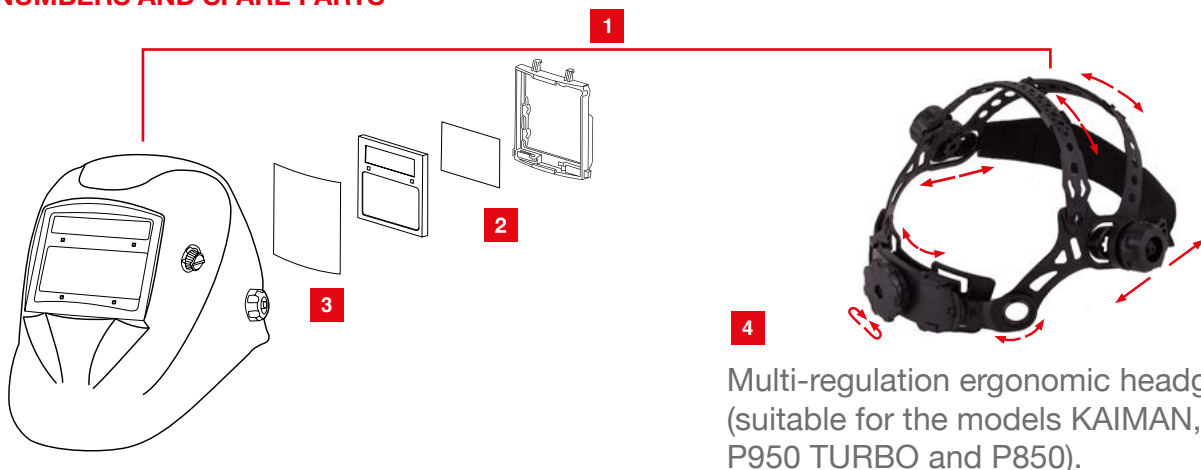


**T-LINK®**  
BY TRAFIMET

The Kaiman helmet is equipped for the T-Link® protection system, for a total eye protection.

For more information, please contact our Sales Department.

### PART NUMBERS AND SPARE PARTS



Multi-regulation ergonomic headgear (suitable for the models KAIMAN, P950 TURBO and P850).

	CODE	DESCRIPTION		
1	MSC000308	KAIMAN auto-darkening welding helmet	110 x 90 mm	1
2	MSC000328	KAIMAN auto-darkening welding helmet (BULK 25 pcs)	110 x 90 mm	25
3	LVE000240	Internal protection plate (5 pcs)	107 x 58 x 1 mm	1
4	LVE000231	External protection plate (5 pcs)	115 x 104 x 1 mm	1
5	VCE000019	Headgear		1