

Tweco®

MIG Guns, MIG Consumables & Welding Accessories Catalog



**PERFORMANCE
DURABILITY
EASE OF USE**

tweco.com

Make the Switch. Increase Productivity.

TWECO ADVANTAGE

- Excellent performance with high productivity & low downtime
- Superior durability with long lasting guns
- Exceptional ease of use with operator appeal

TWECO MIG GUN PORTFOLIO

- Broad range of products for different applications
- Air-cooled and water-cooled MIG guns
- Specialty guns for pulse welding
- Specialty guns for aluminum welding
- Specialty guns with smoke & fume extraction features

TWECO OFFERS SUPERIOR FEATURES AND BENEFITS

- Ergonomic design to reduce operator fatigue
- Excellent customer support to answer all your technical questions
- Widest range of MIG gun consumables in the industry
- Meet a broad range of your application needs

TWECO TRUST

- Industry standard for over 40 years
- Over 2 million MIG guns sold
- Most trusted MIG gun in the industry



TWECO ADVANTAGE. TWECO TRUST.

Visit www.twecotrust.com

Professional MIG Welding Products & Accessories 4-84

Professional MIG Welding Consumables 85-108

WeldSkill® MIG Guns & Consumables 109-125

Professional Manual Welding Products & Accessories . . 126-136

WeldSkill Manual Welding Products & Accessories 137-138

Customer Care Numbers 139

MIG Gun Selection Guide

Wire Diameter in. (mm)	Amperage Range					Recommended	Alternate	
	30-100	100-200	200-300	300-400	>400			
Solid Wire - Mild Steel and Stainless Steel	.023" - .030" (0,6 - 0,8)	CO ₂ 75-25					MINI-MIG	Professional No.1
	.035" (0,9)	CO ₂ 75-25					Spray Master™ 250 & Professional No.2	Compact Eliminator™ 250 & Smoke Master® 250, Eliminator® Spool Gun 300
	.045" (1,2)	CO ₂ Higher Argon mixture					Spray Master 350 & Professional No. 4	PulseMaster™ Air-Cooled 350, Compact Eliminator 450, Supra XT 450, TUFF-N-LITE 350, Smoke Master 450, Eliminator Spool Gun 300
	.052" (1,3)	Higher Argon mixture					Spray Master 450 & Professional No. 5	PulseMaster Air-Cooled 450, Compact Eliminator 450, Standard Eliminator 450, Supra XT 450, Smoke Master®450, Supra Water-Cooled 450
	1/16" (1,6)	Higher Argon mixture					Spray Master 450 & Professional No. 6	PulseMaster Air-Cooled 450, PulseMaster 500, Compact Eliminator 450, Standard Eliminator 450, Supra Water-Cooled 450, Standard Water-Cooled 600

Wire Diameter in. (mm)	Amperage Range					Recommended	Alternate	
	30-100	100-200	200-300	300-400	400-650			
Flux cored Wire	.030" (0,8)	Self-shielded					Professional No.1	Spray Master 250
	.035" (0,9)	Self-shielded CO ₂ or 75-25					*FLUXCORED SEFC 350 & Spray Master 250	Compact Eliminator 250, Professional No.2
	.045" (1,2)	Self-shielded CO ₂ or 75-25					*FLUXCORED SEFC 350 & Spray Master 350	Professional No.2, Compact Eliminator 250, 450, Supra XT 450, TUFF-N-LITE 350
	.052" (1,3)	CO ₂ or 75-25					*FLUXCORED SEFC 450 & Spray Master 450	Professional No.4, Compact Eliminator 450, Standard Eliminator 450, Supra XT 450
	1/16" - 5/64" (1,6 - 2,0)	Self-shielded CO ₂ or 75-25					*FLUXCORED SEFC 450 & Spray Master 450	Professional No.5, Compact Eliminator 450, Standard Eliminator 450
	3/32" (2,4)	Self-shielded CO ₂ or 75-25					*FLUXCORED SEFC 450 & Professional No.6	Professional No.5, Compact Eliminator 450, Standard Eliminator 450

*FLUXCORED SEFC Series MIG Guns are to be used only with Self-Shielded wire.

Wire Diameter in. (mm)	Amperage Range					Recommended	Alternate	
	30-150	150-250	250-350	350-450	>450			
Solid Wire - Aluminum	.030" (0,8)	Argon					Eliminator Spool Gun 300 & MINI-MIG	Professional No.1
	.035" (0,9)	Argon					Eliminator Spool Gun 300 & Spray Master 250	PulseMaster Air-Cooled 350, Professional No.2, Compact Eliminator 250
	3/64" (1,2)	Argon					PulseMaster Air-Cooled 350 & Spray Master 250	PullMaster™ 300, Professional No.3, Compact Eliminator 250, TUFF-N-LITE 350
	1/16" (1,6)	Argon					PulseMaster Air-Cooled 450 & Spray Master 350	PullMaster 300, Professional No.4, Compact Eliminator 450, Standard Eliminator 450, TUFF-N-LITE 350
	3/32" (2,4)	Argon					PulseMaster Air-Cooled 450 & Spray Master 450	PullMaster 300, PulseMaster Water-Cooled 500, Professional No.4, Compact Eliminator 450, Supra Water-Cooled 450

When welding with aluminum wire, standard MIG gun length of 12ft. should not be exceeded and conduit liners/contact tips made specifically for aluminum wires should be used.

Which MIG Gun Is Right For You?

Tweco offers a broad range of MIG gun families to meet the everyday needs of the welder.

- Amperage Range
- Lengths
- Handle Design
- Rear End Connections
- Air-Cooled or Water-Cooled

	Amperage Range	Available Lengths (Feet)	Handle Design	Cablehoz® Connection	Rear End Connector Options	Air-Cooled/ Water-Cooled	Special Features
Spray Master™	250, 350, 450	10, 12, 15, 20, 25	Small & Ergonomic	Crimped	Tweco® Miller® Lincoln® Euro-Kwik	Air	Heavy-Duty Front End Consumables
Professional No.	160, 180, 200, 300, 400, 500, 600	10, 12, 15, 20, 25	Oval/Paddle Contour	Mechanical	Tweco Miller Lincoln Euro-Kwik	Air	Wide Range of Front End Consumables
PulseMaster™	350, 450	12, 15	Small & Ergonomic	Crimped	Tweco Euro-Kwik	Air	Smart Option or Standard & Gun Drilled Contact Tips
Compact Eliminator®	250, 450	10, 12, 15, 25	Small & Ergonomic	Crimped	Tweco Miller Euro-Kwik	Air	Articulating Conductor Tube & Cam-Style Contact Tips
Standard Eliminator®	450	15	Ergonomic	Crimped	Tweco Miller Lincoln Euro-Kwik	Air	Articulating Conductor Tube & Cam-Style Contact Tips
TUFF-N-LITE	350	15	Straight	Mechanical	Tweco Miller	Air	Top Trigger Capability
SUPRA XT	450	15	Straight	Mechanical	Tweco Miller Lincoln	Air	Top Trigger Capability
Smoke Master®	250, 450	15	Ergonomic	Crimped	Tweco Miller Lincoln	Air	Fume Extraction Cam-Style Contact Tips
FLUXCORED SEFC Series	350, 450	10, 15	Straight	Crimped	Tweco Miller	Air	Galvanized Steel Inner Core Tube Cablehoz Design
Eliminator® Spool Gun	300	25, 30	Pistol Grip	Mechanical	Dinse Lug	Air	Accepts Standard 4" Spools Rotatable Wire Spool Housing
PullMaster™	300	33, 50	Pistol Grip	Crimped	Tweco	Air	Smart Option or Standard & Gun Drilled Contact Tips
PulseMaster™	400, 500	12, 15	Ergonomic	Crimped	Tweco	Water	Smart Option or Standard & Gun Drilled Contact Tips
SUPRA	450	10, 12, 15	Oval/Paddle Contour	Crimped	Tweco Miller	Water	Quick Water Connections
Standard Water-cooled	600	10, 12, 15	Ergonomic	Crimped	Tweco	Water	Inert Gas Style Fitting

Miller is a registered trademark of Illinois Tool Works, Inc. Lincoln is a registered trademark of Lincoln Electric Co. The aforementioned registered trademarks are in no way affiliated with Tweco Products, Inc. Tweco is registered trademark of Thermadyne Industries, Inc.

SPRAY MASTER™ MIG GUN SERIES

FEATURES & BENEFITS

Operator appeal and reduces operator fatigue

- extended trigger length to reduce radiated heat
- conductor tube can be rotated easily for different welding positions
- ergonomic handle

Field repairable

- split-half handle case provides access for ease of repair
- field repairable mechanical cable connections for Cablehoz®
- spare trigger leads in Cablehoz

Lower heat in the handle and conductor tube

- heavy wall conductor tube and front Cablehoz connection (crimped) for improved electrical conductivity and lower heat in the front end
- heavy-duty contact tip and diffuser for improved performance in high heat applications

Standard gun configurations options

- standard trigger “on/off” operation
- optional dual schedule and locking trigger

Wide welding applications

- spray transfer mode & pulse welding
- straight CO₂ or mixed gases

Lower inventory carrying costs

- interchangeable front end consumables between Tweco Professional No. Series and Tweco Spray Master series



MODEL	OUTPUT			PROCESS				STANDARD OPTIONS				APPLICATION		
	Current (Amps)	Duty Cycle Mixed Gas	Wire Diameter in. (mm)	MIG	Aluminum	Flux-Cored Gas Shielded	Flux-Cored Self Shielded	Dual Schedule	Locking Trigger	Rear Connector	Knucklehead Flexible Conductor Tube	Light Duty Fab	Medium Duty Fab	Heavy Duty Fab
Spray Master 250 Amp	250	80%	Up to .045" (1,2mm)	●	●	●	●			●	●	●		
Spray Master 350 Amp	350	80%	Up to 1/16" (1,6mm)	●	●	●	●	●		●	●		●	
Spray Master 450 Amp	450	80%	Up to 1/16" (1,6mm)	●	●	●	●	●	●	●	●			●

SPRAY MASTER™ SERIES HANDLE DESIGN & STYLE

PERFORMANCE

Thick-walled, three-layer conductor tube for higher electrical conductivity, act as "heat sink", and durable

Heavy-duty thick-walled contact tip and diffuser increases tip life and decreases downtime with tip changes

Optional mechanical locking trigger - Identified with "LC" Part No. suffix

DURABILITY

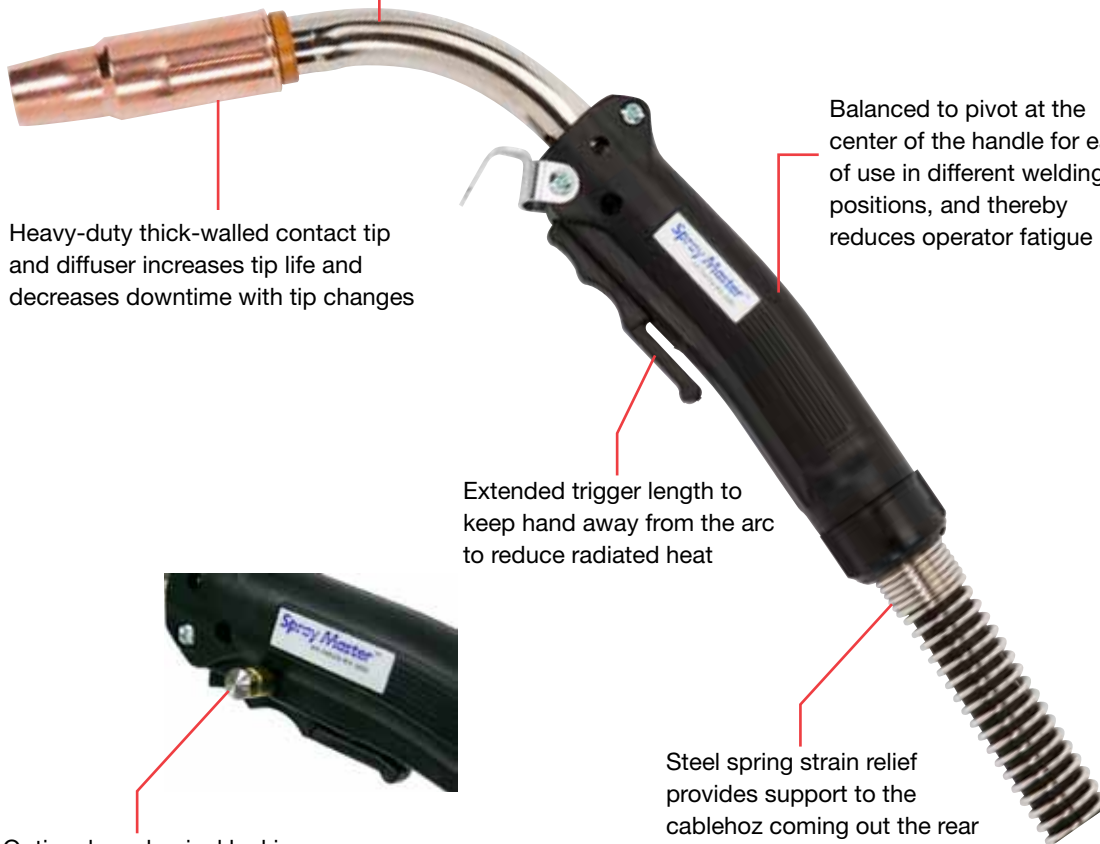
Optional Dual Schedule On/Off control with your gloved thumb (350 and 450 Amp only) Identified with "DSRS" Part No. suffix

EASE OF USE

Balanced to pivot at the center of the handle for ease of use in different welding positions, and thereby reduces operator fatigue

Extended trigger length to keep hand away from the arc to reduce radiated heat

Steel spring strain relief provides support to the cable/hoz coming out the rear of the handle to minimize wire feed issues





Spray Master™ 250 Amp 80% Duty Cycle, Mixed Gases

TWECO* STYLE REAR CONNECTOR			
Wire Size	Length	Part No.	Stock No.
Up To .045" (1,2mm)	10 ft. (3M)	MS210-3545	1023-1100
	12 ft. (4M)	MS212-3545	1023-1101
	15 ft. (5M)	MS215-3545	1023-1102
	20 ft. (6M)	MS220-3545	1023-1103
	25 ft. (8M)	MS225-3545	1023-1108

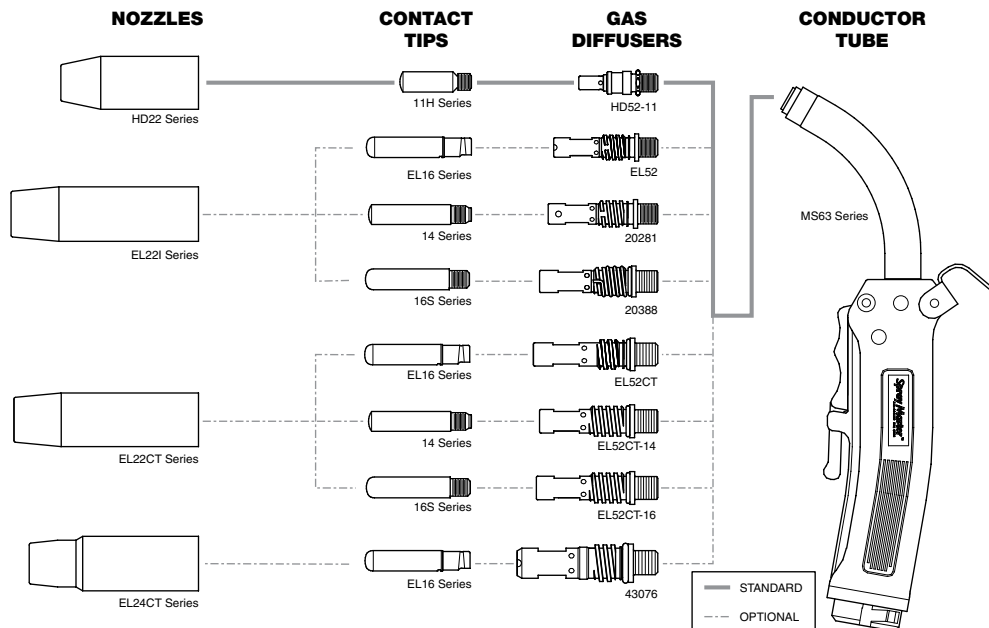
LINCOLN† STYLE REAR CONNECTOR			
Wire Size	Length	Part No.	Stock No.
Up To .045" (1,2mm)	12 ft. (4M)	MS212L-3545	1023-1136

MILLER STYLE REAR CONNECTOR			
Wire Size	Length	Part No.	Stock No.
Up To .045" (1,2mm)	10 ft. (3M)	MS210M-3545	1023-1110
	12 ft. (4M)	MS212M-3545	1023-1111
	15 ft. (5M)	MS215M-3545	1023-1112
	20 ft. (6M)	MS220M-3545	1023-1113
	25 ft. (8M)	MS225M-3545	1023-1118

EURO-KWIK STYLE REAR CONNECTOR			
Wire Size	Length	Part No.	Stock No.
Up To .045" (1,2mm)	10 ft. (3M)	MS210X-3545	1023-1125
	12 ft. (4M)	MS212X-3545	1023-1126
	15 ft. (5M)	MS215X-3545	1023-1127
	20 ft. (6M)	MS220X-3545	1023-1128
	25 ft. (8M)	MS225X-3545	1023-1133

* Adapter kits are available to fit Tweco rear connection to most wire feeders.

† Fits Lincoln LN7, 8, 9, SP200 - Some Lincoln wire feeders are assembled with their K1500-2 gun receiving bushing that will accept Tweco style MIG guns direct from the factory. Control wire Part No. MS354-DSLJ (Stock No. 2060-2137) must be ordered separately.



Refer to Pages 86-101 for more complete detail on front end options. Refer to Pages 12-13 for Parts Breakdown information.

Miller is a registered trademark of Illinois Tool Works, Inc. Lincoln is a registered trademark of Lincoln Electric Co. The aforementioned registered trademarks are in no way affiliated with Tweco Products, Inc. Tweco is registered trademark of Thermadyne Industries, Inc.

Spray Master™ 350 Amp 80% Duty Cycle, Mixed Gases



TWECO* STYLE REAR CONNECTOR			
Wire Size	Length	Part No.	Stock No.
Up To 1/16" (1,6mm)	10 ft. (3M)	MS310-116	1036-1610
	12 ft. (4M)	MS312-116	1036-1613
	15 ft. (5M)	MS315-116	1036-1615
	15 ft. (5M)	MS315-116K4†	1036-1715
	15 ft. (5M)	MS315-116DSRS	1036-1721

LINCOLN† STYLE REAR CONNECTOR			
Wire Size	Length	Part No.	Stock No.
Up To 1/16" (1,6mm)	12 ft. (4M)	MS312L-116	1036-1646
	15 ft. (5M)	MS315L-116	1036-1647
	15 ft. (5M)	MS315L-116K4†	1036-1717
	15 ft. (5M)	MS315L-116DSRS	1036-1722

MILLER STYLE REAR CONNECTOR			
Wire Size	Length	Part No.	Stock No.
Up To 1/16" (1,6mm)	10 ft. (3M)	MS310M-116	1036-1635
	12 ft. (4M)	MS312M-116	1036-1638
	15 ft. (5M)	MS315M-116	1036-1640
	15 ft. (5M)	MS315M-116K4†	1036-1716
	15 ft. (5M)	MS315M-116DSRS	1036-1720
	25 ft. (8M)	MS325M-116	1036-1642

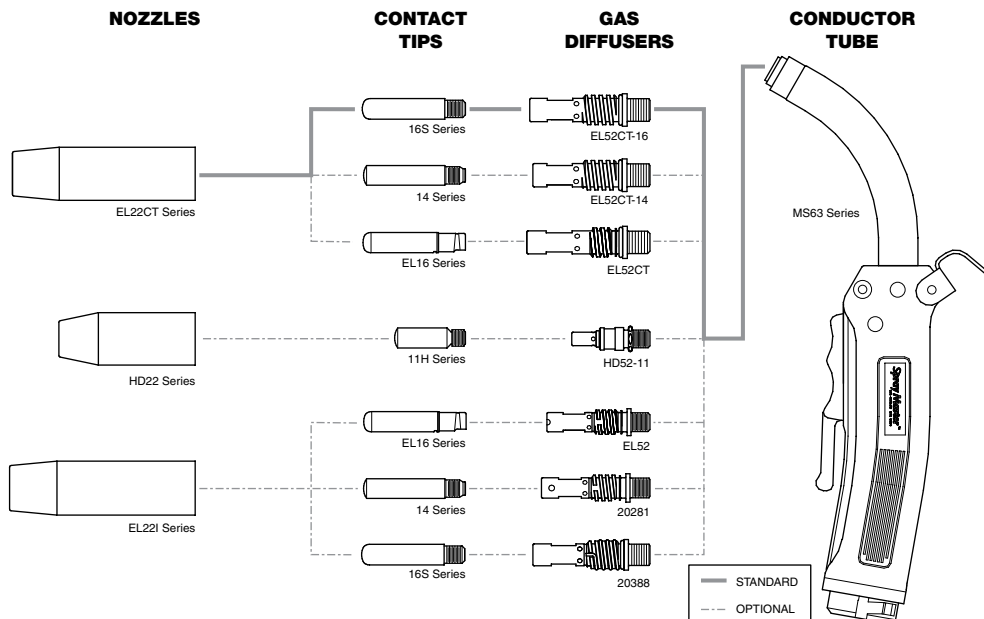
EURO-KWIK STYLE REAR CONNECTOR			
Wire Size	Length	Part No.	Stock No.
Up To 1/16" (1,6mm)	15 ft. (5M)	MS315X-116	1036-1623

* Adapter kits are available to fit Tweco rear connection to most wire feeders.

† Fits Lincoln LN7, 8, 9, SP200 - Some Lincoln wire feeders are assembled with their K1500-2 gun receiving bushing that will accept Tweco style MIG guns direct from the factory. Control wire Part No. MS354-DSLJ (Stock No. 2060-2137) must be ordered separately.

‡ Includes Knucklehead Conductor Tube - Part No. MS63SFLX4-80 (Stock No. 1630-1198). Refer to pages 102-103 for more information on conductor tubes.

Suffix "DSRS" = Dual Schedule Rocker Switch



Refer to Pages 86-101 for more complete detail on front end options. Refer to Pages 12-13 for Parts Breakdown information.

Miller is a registered trademark of Illinois Tool Works, Inc. Lincoln is a registered trademark of Lincoln Electric Co. The aforementioned registered trademarks are in no way affiliated with Tweco Products, Inc. Tweco is registered trademark of Thermadyne Industries, Inc.

Spray Master™ 450 Amp 80% Duty Cycle, Mixed Gases



TWECO* STYLE REAR CONNECTOR			
Wire Size	Length	Part No.	Stock No.
Up To 1/16" (1,6mm)	10 ft. (3M)	MS410-116	1040-1050
	12 ft. (4M)	MS412-116	1040-1051
	15 ft. (5M)	MS415-116	1040-1052
	15 ft. (5M)	MS415-116K4‡	1040-1530
	15 ft. (5M)	MS415-116DSRS	1040-1537
	15 ft. (5M)	MS415-116LM	1040-1053
	20 ft. (6M)	MS420-116	1040-1059
	25 ft. (8M)	MS425-116	1040-1058

LINCOLN† STYLE REAR CONNECTOR			
Wire Size	Length	Part No.	Stock No.
Up To 1/16" (1,6mm)	10 ft. (3M)	MS410L-116	1040-1070
	15 ft. (5M)	MS415L-116	1040-1072
	15 ft. (5M)	MS415L-116K4‡	1040-1533
	15 ft. (5M)	MS415L-116DSRS	1040-1538
	15 ft. (5M)	MS415L-116LC	1040-1074
	15 ft. (5M)	MS415L-116LM	1040-1073
	25 ft. (8M)	MS425L-116	1040-1071

MILLER STYLE REAR CONNECTOR			
Wire Size	Length	Part No.	Stock No.
Up To 1/16" (1,6mm)	10 ft. (3M)	MS410M-116	1040-1060
	12 ft. (4M)	MS412M-116	1040-1061
	15 ft. (5M)	MS415M-116	1040-1062
	15 ft. (5M)	MS415M-116K4‡	1040-1531
	15 ft. (5M)	MS415M-116DSRS	1040-1536
	15 ft. (5M)	MS415M-116LC	1040-1092
	15 ft. (5M)	MS415M-116LM	1040-1063
	20 ft. (6M)	MS420M-116	1040-1064
	20 ft. (6M)	MS420M-116DSRS	1040-1539
	25 ft. (8M)	MS425M-116	1040-1068
	25 ft. (8M)	MS425M-116DSRS	1040-1540

EURO-KWIK STYLE REAR CONNECTOR			
Wire Size	Length	Part No.	Stock No.
Up To 1/16" (1,6mm)	10 ft. (3M)	MS410X-116	1040-1075
	12 ft. (4M)	MS412X-116	1040-1076
	15 ft. (5M)	MS415X-116	1040-1077

* Adapter kits are available to fit Tweco rear connection to most wire feeders.

† Fits Lincoln LN7, 8, 9, SP200 - Some Lincoln wire feeders are assembled with their K1500-2 gun receiving bushing that will accept Tweco style MIG guns direct from the factory. Control wire Part No. MS354-DSLJ (Stock No. 2060-2137) must be ordered separately.

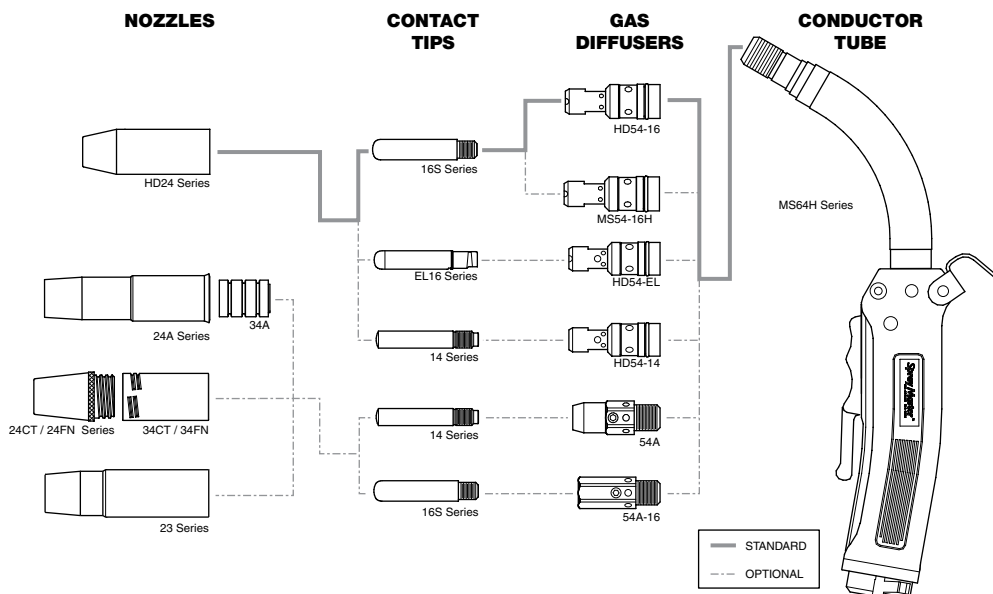
‡ Includes Knucklehead Conductor Tube - Part No. MS64SFLX4-80 (Stock No. 1640-1308). Refer to pages 102-103 for more information on conductor tubes.

Suffix "DSRS" = Dual Schedule Rocker Switch

"LC" = Locking Trigger

"LM" = Long Reach Conductor Tube - Part No. MS64H-60LM (Stock No. 1640-1317)

Miller is a registered trademark of Illinois Tool Works, Inc. Lincoln is a registered trademark of Lincoln Electric Co. The aforementioned registered trademarks are in no way affiliated with Tweco Products, Inc. Tweco is registered trademark of Thermadyne Industries, Inc.



Refer to Pages 86-101 for more complete detail on front end options. Refer to Pages 12-13 for Parts Breakdown information.



SLR 100 SURGE LIMITING REGULATOR

FOR USE WITH SHIELDING GAS

- Designed to reduce gas surge at the activation of the torch or gun, which provides a more constant flow rate of shielding gas to the welding machine.
- Benefit is better weld quality and more consistent gas consumption. (especially when doing multiple short welds or spot welds)
- Easily connects to shielding gas supply hose as well as inlet on welding machine.
- Order part number 0781-1197 today!



Part No. 0781-1197

SLR 100 SURGE LIMITING REGULATOR

SPECIFICATIONS:

FLOW: Preset 50 SCFH (23.6 LPM)

RECOMMENDED INLET PRESURE: 100 ± 20 PSIG (6.9 ± 1.38 BAR)

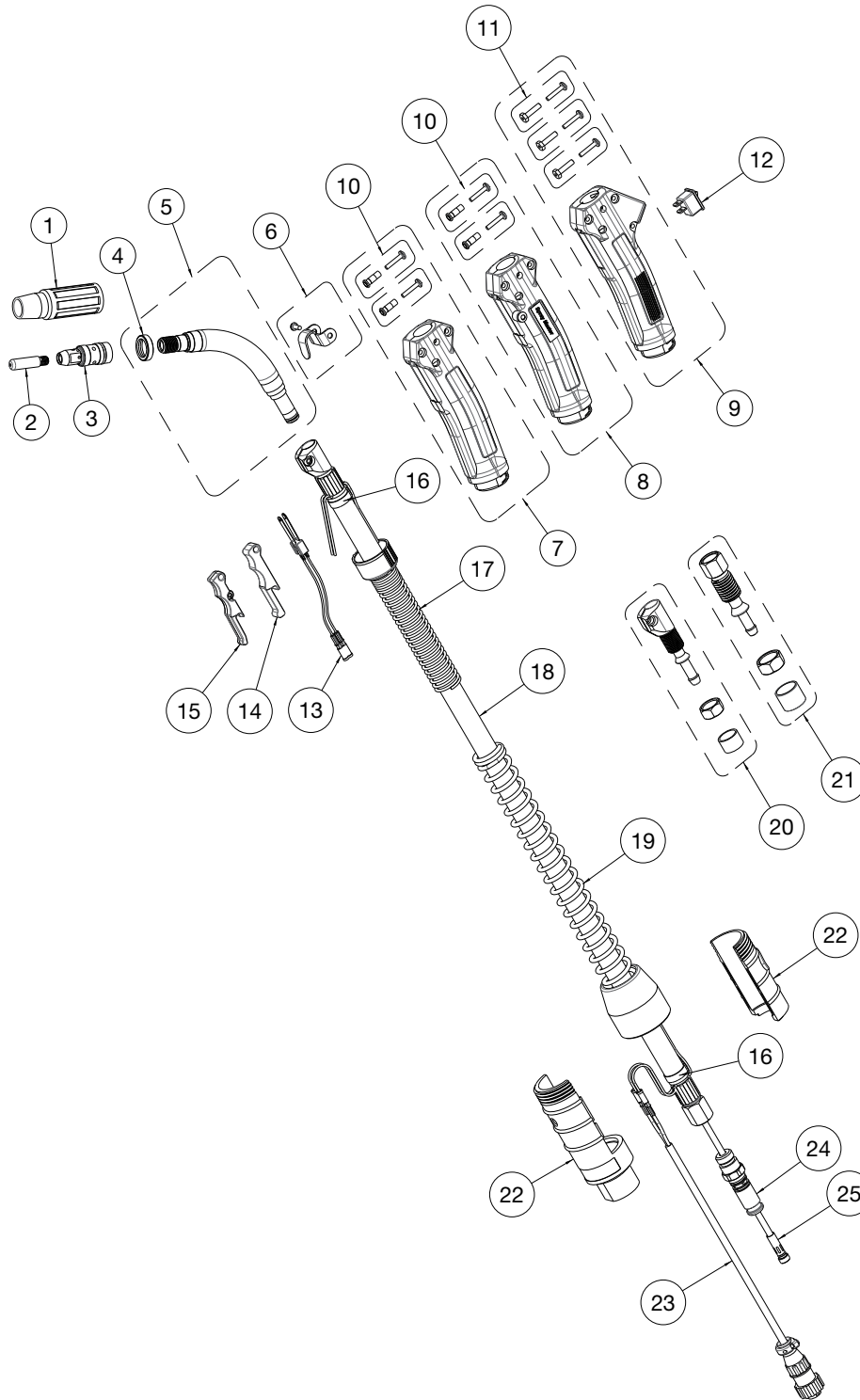
MAXIMUM INLET PRESURE: 200 PSIG (13.8 BAR)

CONNECTIONS: CGA No. 030 RH for Inert Gases, Internal Thread (Inlet), External Thread (Outlet)

NOTICE

Note the maximum inlet pressure stamped on the regulator. Do not attach regulator to a system that has a higher pressure than the maximum rated pressure stamped on the regulator.

Spray Master™ Replacement Parts



SPRAY MASTER™ MIG GUN REPLACEMENT PARTS LIST				
#	DESCRIPTION	(PART NO. / STOCK NO.)		
		250 Amp	350 Amp	450 Amp
1	Nozzles	Refer to Pages 91-99		
2	Contact Tips	Refer to Pages 88-90		
3	Diffusers	Refer to Pages 100-101		
4	Nozzle Insulators	63J-3 1630-1121		66J-3 1660-1836
5	Conductor Tubes	Refer to Pages 102-105		
6	Gun Hanger	152 2020-2152		
7	Handle (Standard)	MS84 2060-2130		
8	Handle (Locking Trigger)	MS84LC 2060-2127		
9	Handle (Dual Schedule)	MS84DSRS 2060-2128		
10	Binder Posts & Screws	ELC124FM 2060-2646		
11	Binder Posts & Screws	122FMS 2020-2123		
12	Rocker Switch (Dual Schedule)	MS94RSW 2060-2694		
13	Trigger Blade Assembly	ELC94-BL 2060-2671		
14	Trigger (Standard/Dual Schedule)	ELC94 2060-2647		
15	Trigger (Locking)	MS94LC 2060-2693		
16	Cable Clamp	136 2060-2690		
17	Front Strain Relief Spring & Cap	MS144 2060-2131		
18	Cablehoz Assembly (Direct Plug)	MS210 1720-2115	MS310 1730-2035	MS410 1740-2115
		MS212 1720-2116	MS312 1730-2036	MS412 1740-2116
		MS215 1720-2117	MS315 1730-2037	MS415 1740-2117
		MS225 1720-2118	MS325 1730-2038	MS425 1740-2118
	Cablehoz Assembly (Euro)	MS210X 1720-2106	MS310X 1730-2010	MS410X 1740-2121
		MS212X 1720-2107	MS312X 1730-2011	MS412X 1740-2122
		MS215X 1720-2108	MS315X 1730-2012	MS415X 1740-2123
		MS225X 1720-2109	MS325X 1730-2013	MS425X 1740-2124
19	Rear Strain Relief Spring & Cap	235RSSR 2060-2035		
20	Front Cable Connector Repair Kit (Direct Plug and Euro)	MS102-RK 2060-2132	MS104-RK 2060-2133	
21	Rear Cable Connector Repair Kit (Direct Plug)	EPG172-H 2020-2191	350-170HK 2035-2169	
	Rear Cable Connector Repair Kit (Euro)	172X-M 2020-2181	174X-M 2040-2181	
22	Rear Case (Direct Plug)	C6RC 2060-2041		
	Rear Case (Euro)	X6RC 2060-2006		
23	Miller Control Wire	MS354-DSM 2060-2140		
24	Connector Plug	Refer to Page 84		
25	Conduit Assembly	Refer to Pages 106-108		
NS	Protective Cable Wrap (50Ft/Box)	TCR50 9900-1150		

Miller is a registered trademark of Illinois Tool Works, Inc. Lincoln is a registered trademark of Lincoln Electric Co. The aforementioned registered trademarks are in no way affiliated with Tweco Products, Inc. Tweco is registered trademark of Thermadyne Industries, Inc.

PROFESSIONAL NO. MIG GUN SERIES

FEATURES & BENEFITS

Operator appeal

- industry standard for 40+ years
- oval handle shape reduces operator fatigue

Durable & dependable for industrial applications

- heavy-duty design
- high impact resistant handle and components
- three layer conductor tube construction (copper tube/silicon-resin glass insulator/metal jacket)

Field repairable

- split-half handle case provides access for ease of repair
- easily repair Cablehoz® - no additional connectors required

Improved performance with longer life consumables

- wide selection of front end consumables available
- heavy-duty contact tips in high heat applications offered

Lower inventory carrying costs

- interchangeable front end consumables between Tweco Spray Master™ series and Tweco Professional No. Series



MODEL	OUTPUT			PROCESS				STANDARD OPTIONS				APPLICATION		
	Current (Amps)	Duty Cycle Mixed Gas	Wire Diameter in. (mm)	MIG	Aluminum	Flux-Cored Gas Shielded	Flux-Cored Self Shielded	Dual Schedule	Locking Trigger	Rear Connector	Knucklehead Flexible Conductor Tube	Light Duty Fab	Medium Duty Fab	Heavy Duty Fab
Professional Choice No. 1	180	60%	Up to .045" (1,2mm)	●	●					●	●	●		
Professional Choice No. 2	200	60%	Up to .045" (1,2mm)	●	●					●	●		●	
Professional Choice No. 3	300	60%	Up to 1/16" (1,6mm)	●	●			●	●	●	●		●	●
Professional Choice No. 4	400	60%	Up to 5/64" (2,0mm)	●	●	●		●	●	●	●		●	●
Professional Choice No. 5	500	60%	Up to 3/32" (2,4mm)	●		●	●	●	●	●				●
Professional Choice No. 6	600	60%	Up to 3/32" (2,4mm)	●		●	●			●				●
MINI-MIG 160 Amp	160	60%	Up to .035" (0,9mm)	●	●	●	●			●	●	●		

PROFESSIONAL NO. SERIES HANDLE DESIGN & STYLE

PERFORMANCE

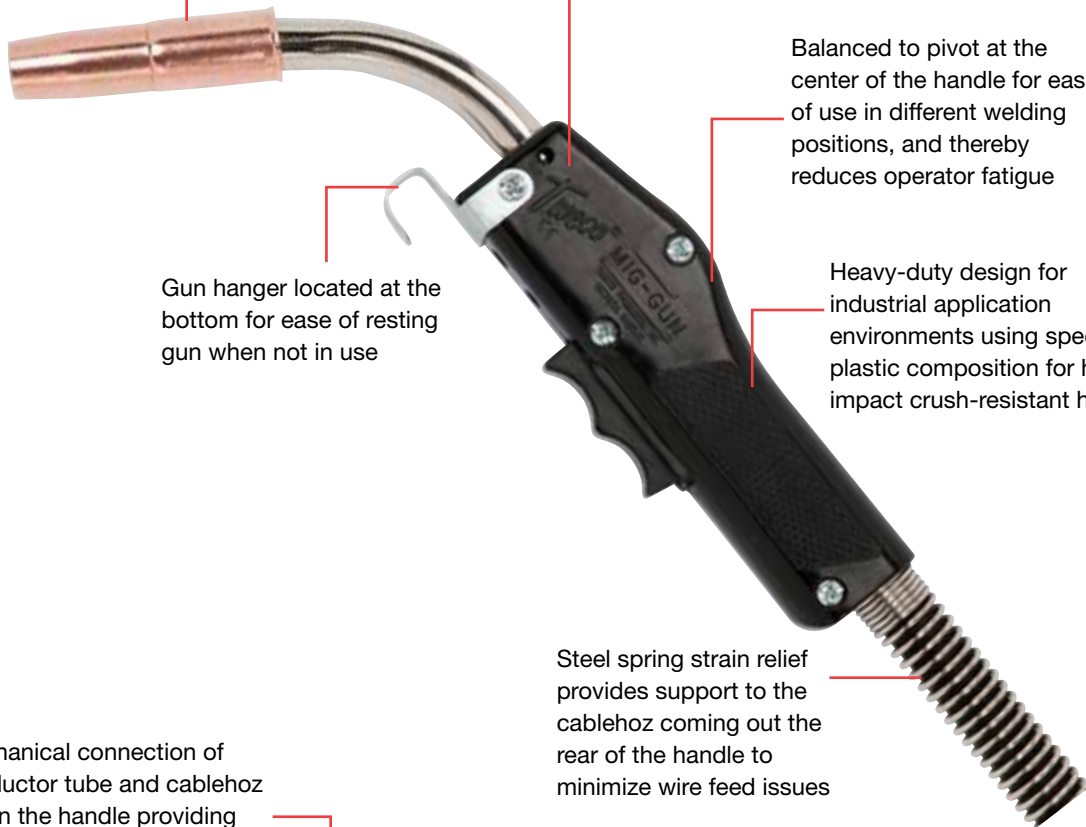
Wide selection of front end consumables available to fit the needs of the application

DURABILITY

Industry standard for 40+ years, oval shaped handle reduces grip required to manipulate MIG gun position

EASE OF USE

Balanced to pivot at the center of the handle for ease of use in different welding positions, and thereby reduces operator fatigue



Gun hanger located at the bottom for ease of resting gun when not in use

Heavy-duty design for industrial application environments using special plastic composition for high impact crush-resistant handle

Steel spring strain relief provides support to the cablehoz coming out the rear of the handle to minimize wire feed issues

Mechanical connection of conductor tube and cablehoz within the handle providing excellent current path to the end of the contact tip



Two (2) ball-point screws are used to secure the Cablehoz® and conductor tube in place

Trigger contains silver plated contacts with a self cleaning action every time the trigger is engaged & disengaged



Professional No.1 180 Amp 60% Duty Cycle, CO₂

TWECO* STYLE REAR CONNECTOR

Wire Size	Length	Part No.	Stock No.
Up To .035" (0,9mm)	10 ft. (3M)	110-3035	1010-1111
	12 ft. (4M)	112-3035	1010-1112
	15 ft. (5M)	115-3035	1010-1113
	20 ft. (6M)	120-3035	1010-1114
Up To .045" (1,2mm)	10 ft. (3M)	110-4045	1010-1121
	15 ft. (5M)	115-4045	1010-1123
	20 ft. (6M)	120-4045	1010-1124

LINCOLN† STYLE REAR CONNECTOR

Wire Size	Length	Part No.	Stock No.
Up To .035" (0,9mm)	15 ft. (5M)	L115-3035	1010-1145

EURO-KWIK STYLE REAR CONNECTOR

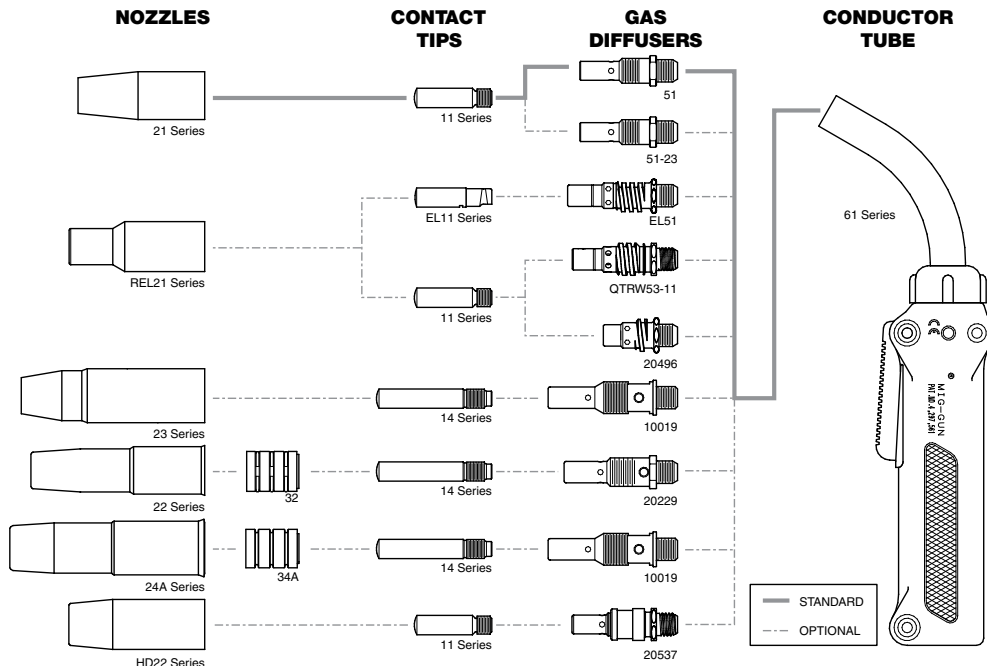
Wire Size	Length	Part No.	Stock No.
Up To .045" (1,2mm)	10 ft. (4M)	X110-4045	1010-1621
	12 ft. (4M)	X112-4045	1010-1622
	15 ft. (5M)	X115-4045	1010-1623

MILLER STYLE REAR CONNECTOR

Wire Size	Length	Part No.	Stock No.
Up To .035" (0,9mm)	10 ft. (3M)	M110-3035	1010-1131
	12 ft. (4M)	M112-3035	1010-1133
	15 ft. (5M)	M115-3035	1010-1135

* Adapter kits are available to fit Tweco rear connection to most wire feeders.

† Fits Lincoln LN7, 8, 9, SP200 - Some Lincoln wire feeders are assembled with their K1500-2 gun receiving bushing that will accept Tweco style MIG guns direct from the factory. Control wire Part No. MS354-DSLJ (Stock No. 2060-2137) must be ordered separately.



Refer to Pages 86-101 for more complete detail on front end options. Refer to Pages 24-25 for Parts Breakdown information.

Miller is a registered trademark of Illinois Tool Works, Inc. Lincoln is a registered trademark of Lincoln Electric Co. The aforementioned registered trademarks are in no way affiliated with Tweco Products, Inc. Tweco is registered trademark of Thermadyne Industries, Inc.



Professional No.2
200 Amp
60% Duty Cycle, CO₂

TWECO* STYLE REAR CONNECTOR			
Wire Size	Length	Part No.	Stock No.
Up To .035" (0,9mm)	10 ft. (3M)	210-3035	1020-1111
	12 ft. (4M)	212-3035	1020-1112
	15 ft. (5M)	215-3035	1020-1113
	20 ft. (6M)	220-3035	1020-1114
	25 ft. (8M)	225-3035	1020-1115
Up To .045" (1,2mm)	10 ft. (3M)	210-4045	1020-1121
Up To .045" (1,2mm) Knucklehead Flexible** Conductor Tube Option	15 ft. (5M)	215-4045	1020-1123
		215-4045K4	1020-1660
Up To .045" (1,2mm)	25 ft. (8M)	225-4045	1020-1125

MILLER STYLE REAR CONNECTOR			
Wire Size	Length	Part No.	Stock No.
Up To .035" (0,9mm)	10 ft. (3M)	M210-3035	1020-1130
	12 ft. (4M)	M212-3035	1020-1132
	15 ft. (5M)	M215-3035	1020-1134
Up To .045" (1,2mm)	10 ft. (3M)	M210-4045	1020-1131
	12 ft. (4M)	M212-4045	1020-1133
Up To .045" (1,2mm) Knucklehead Flexible** Conductor Tube Option	15 ft. (5M)	M215-4045	1020-1135
		M215-4045K4	1020-1661

TWECO*† STYLE REAR CONNECTOR			
Wire Size	Length	Part No.	Stock No.
Up To .045" (1,2mm)	12 ft. (4M)	212FN-4045	1020-1322

EURO-KWIK STYLE REAR CONNECTOR			
Wire Size	Length	Part No.	Stock No.
Up To .045" (1,2mm)	10 ft. (3M)	X210-4045	1020-1621
	12 ft. (4M)	X212-4045	1020-1622
	15 ft. (5M)	X215-4045	1020-1623

LINCOLN‡ STYLE REAR CONNECTOR			
Wire Size	Length	Part No.	Stock No.
Up To .035" (0,9mm)	10 ft. (3M)	L210-3035	1020-1140
	12 ft. (4M)	L212-3035	1020-1142
	15 ft. (5M)	L215-3035	1020-1144

EURO-KWIK† STYLE REAR CONNECTOR			
Wire Size	Length	Part No.	Stock No.
Up To .045" (1,2mm)	12 ft. (4M)	X212FN-4045	1020-1652
	15 ft. (5M)	X215FN-4045	1020-1653

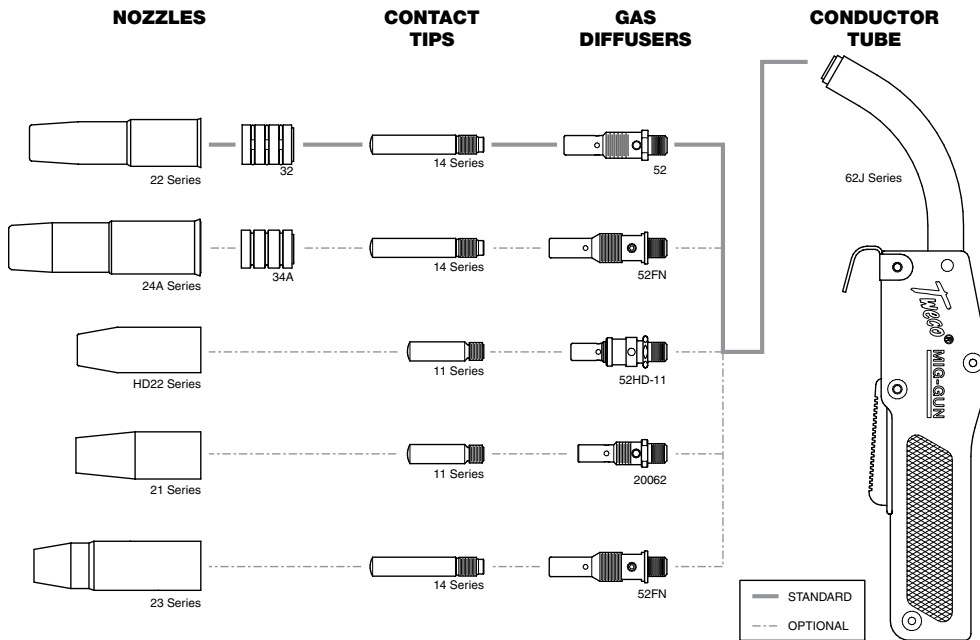
* Adapter kits are available to fit Tweco rear connection to most wire feeders.

‡ Fits Lincoln LN7, 8, 9, SP200 - Some Lincoln wire feeders are assembled with their K1500-2 gun receiving bushing that will accept Tweco style MIG guns direct from the factory. Control wire Part No. MS354-DSLJ (Stock No. 2060-2137) must be ordered separately.

† FN guns are furnished with 24CT nozzles, 34CT insulators, 14H series contact tip, and fiber insulated conductor tube - Part No. 62A-60 (Stock No.1620-1102).

** Includes Knucklehead Conductor Tube - Part No. 62SFLX4-80 (Stock No. 1620-1106) - See pages 102-103 for more information on Knucklehead Conductor Tubes.

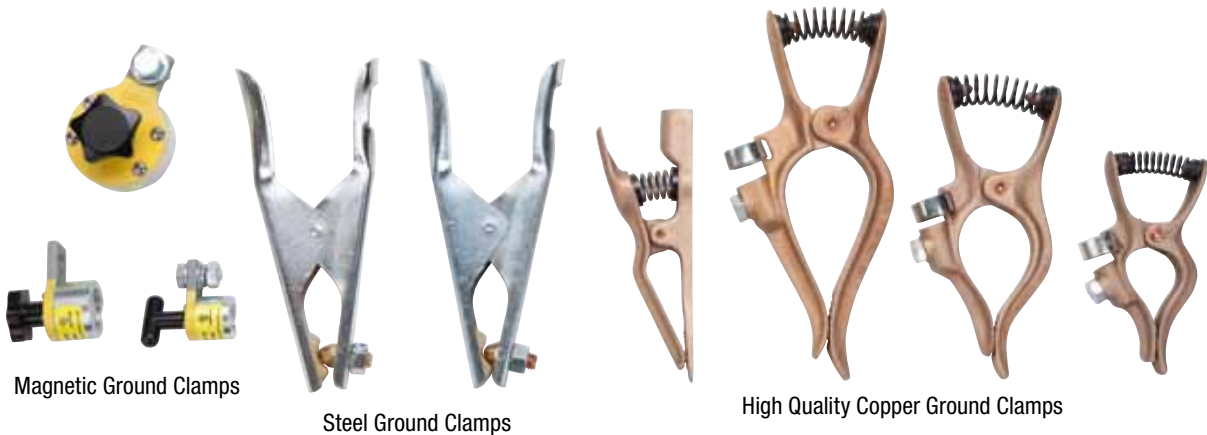
Miller is a registered trademark of Illinois Tool Works, Inc. Lincoln is a registered trademark of Lincoln Electric Co. The aforementioned registered trademarks are in no way affiliated with Tweco Products, Inc. Tweco is registered trademark of Thermadyne Industries, Inc.



Refer to Pages 86-101 for more complete detail on front end options. Refer to Pages 24-25 for Parts Breakdown information.

Manual Welding Products & Accessories

Tweco offers a complete line of ground clamps, cable connectors, and cable lugs for your welding application. Refer to pages 126-138 in this catalog for more detail.





Professional No.3
300 Amp
60% Duty Cycle, CO₂

TWECO* STYLE REAR CONNECTOR			
Wire Size	Length	Part No.	Stock No.
Up To .045" (1,2mm)	10 ft. (3M)	310-3545	1030-1101
	12 ft. (4M)	312-3545	1030-1102
	15 ft. (5M)	315-3545	1030-1103
	20 ft. (6M)	320-3545	1030-1104
	25 ft. (8M)	325-3545	1030-1105
Up To 1/16" (1,6mm)	15 ft. (5M)	315-116	1030-1113
	25 ft. (8M)	325-116	1030-1115

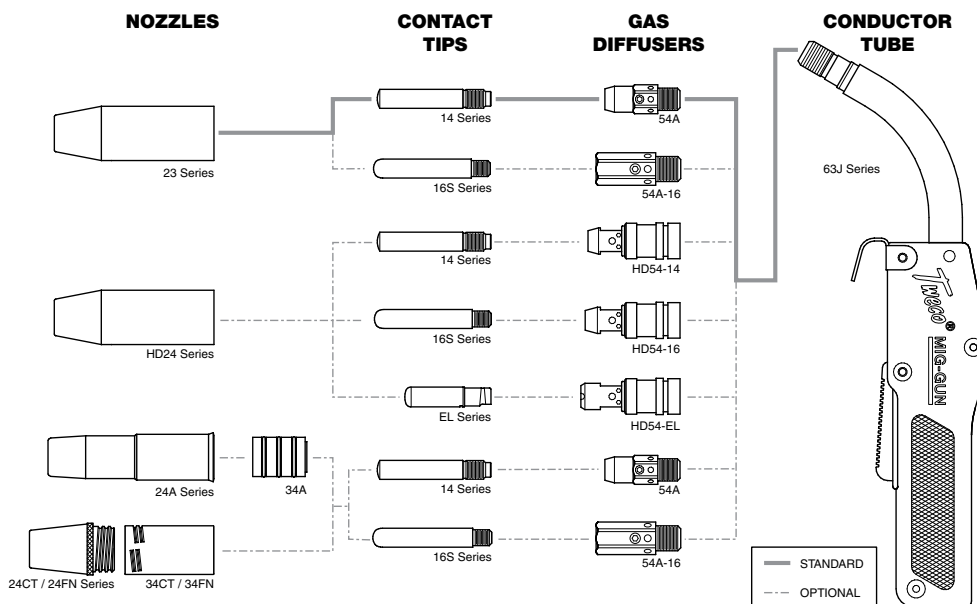
LINCOLN† STYLE REAR CONNECTOR			
Wire Size	Length	Part No.	Stock No.
Up To .045" (1,2mm)	10 ft. (3M)	L310-3545	1030-1140
	12 ft. (4M)	L312-3545	1030-1143
	15 ft. (5M)	L315-3545	1030-1146

EURO-KWIK STYLE REAR CONNECTOR			
Wire Size	Length	Part No.	Stock No.
Up To .045" (1,2mm)	10 ft. (3M)	X310-3545	1030-1601
	12 ft. (4M)	X312-3545	1030-1602

MILLER STYLE REAR CONNECTOR			
Wire Size	Length	Part No.	Stock No.
Up To .045" (1,2mm)	10 ft. (3M)	M310-3545	1030-1130
	12 ft. (4M)	M312-3545	1030-1133
	15 ft. (5M)	M315-3545	1030-1136

* Adapter kits are available to fit Tweco rear connection to most wire feeders.

† Fits Lincoln LN7, 8, 9, SP200 - Some Lincoln wire feeders are assembled with their K1500-2 gun receiving bushing that will accept Tweco style MIG guns direct from the factory. Control wire Part No. MS354-DSLJ (Stock No. 2060-2137) must be ordered separately.



Refer to Pages 86-101 for more complete detail on front end options. Refer to Pages 24-25 for Parts Breakdown information.

Miller is a registered trademark of Illinois Tool Works, Inc. Lincoln is a registered trademark of Lincoln Electric Co. The aforementioned registered trademarks are in no way affiliated with Tweco Products, Inc. Tweco is registered trademark of Thermadyne Industries, Inc.

Professional No.4 400 Amp 60% Duty Cycle, CO₂



TWECO* STYLE REAR CONNECTOR

Wire Size	Length	Part No.	Stock No.
Up To .045" (1,2mm)	10 ft. (3M)	410-3545	1040-1101
	12 ft. (4M)	412-3545	1040-1102
Up To .045" (1,2mm) Knucklehead Flexible** Conductor Tube Option	15 ft. (5M)	415-3545	1040-1103
		415-3545K4	1040-1686
Up To .045" (1,2mm)	20 ft. (6M)	420-3545	1040-1104
	25 ft. (8M)	425-3545	1040-1105
Up To 1/16" (1,6mm)	10 ft. (3M)	410-116	1040-1111
	12 ft. (4M)	412-116	1040-1112
	15 ft. (5M)	415-116	1040-1113
	20 ft. (6M)	420-116	1040-1114
	25 ft. (8M)	425-116	1040-1115
5/64" (2,0mm)	15 ft. (5M)	415-564	1040-1123

MILLER STYLE REAR CONNECTOR

Wire Size	Length	Part No.	Stock No.
Up To .045" (1,2mm)	10 ft. (3M)	M410-3545	1040-1130
	12 ft. (4M)	M412-3545	1040-1133
Up To .045" (1,2mm) Knucklehead Flexible** Conductor Tube Option	15 ft. (5M)	M415-3545	1040-1136
		M415-3545K4	1040-1688
Up To .045" (1,2mm)	20 ft. (6M)	M420-3545	1040-1126
	25 ft. (8M)	M425-3545	1040-1129
Up To 1/16" (1,6mm)	10 ft. (3M)	M410-116	1040-1131
	12 ft. (4M)	M412-116	1040-1134
	15 ft. (5M)	M415-116	1040-1137
	20 ft. (6M)	M420-116	1040-1127
	25 ft. (8M)	M425-116	1040-1128
5/64" (2,0mm)	15 ft. (5M)	M415-564	1040-1138

TWECO*‡ STYLE REAR CONNECTOR

Wire Size	Length	Part No.	Stock No.
Up To .045" (1,2mm)	15 ft. (5M)	DS415-3545	1040-1503
Up To 1/16" (1,6mm)	20 ft. (6M)	DS420-116	1040-1514

EURO-KWIK STYLE REAR CONNECTOR

Wire Size	Length	Part No.	Stock No.
Up To .045" (1,2mm)	10 ft. (4M)	X410-3545	1040-1601
	12 ft. (4M)	X412-3545	1040-1602
	15 ft. (5M)	X415-3545	1040-1603
	25 ft. (8M)	X425-3545	1040-1605
Up To 1/16" (1,6mm)	15 ft. (5M)	X415-116	1040-1613

LINCOLN§ STYLE REAR CONNECTOR

Wire Size	Length	Part No.	Stock No.
Up To .045" (1,2mm)	10 ft. (3M)	L410-3545	1040-1140
	12 ft. (4M)	L412-3545	1040-1143
Up To .045" (1,2mm) Knucklehead Flexible** Conductor Tube Option	15 ft. (5M)	L415-3545	1040-1146
		L415-3545K4	1040-1689
Up To 1/16" (1,6mm)	10 ft. (3M)	L410-116	1040-1141
	12 ft. (4M)	L412-116	1040-1144
	15 ft. (5M)	L415-116	1040-1147

EURO-KWIK† STYLE REAR CONNECTOR

Wire Size	Length	Part No.	Stock No.
Up To 1/16" (1,6mm)	12 ft. (4M)	X412FN-116	1040-1642

* Adapter kits are available to fit Tweco rear connection to most wire feeders.

† FN guns are furnished with 24CT nozzles, 34CT insulators, 14H series contact tip, and fiber insulated conductor tube – Part No. 64A-60 (Stock No.1640-1102).

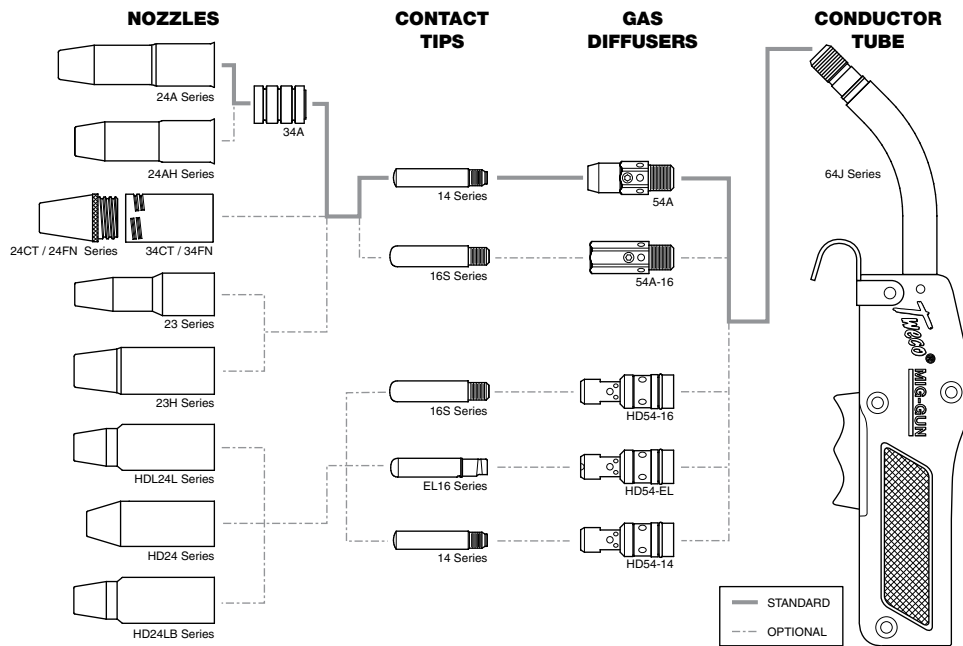
‡ DS guns are furnished with dual schedule triggers and connectors.

§ Fits Lincoln LN7, 8, 9, SP200 - Some Lincoln wire feeders are assembled with their K1500-2 gun receiving bushing that will accept Tweco style MIG guns direct from the factory. Control wire Part No. MS354-DSLJ (Stock No. 2060-2137) must be ordered separately.

** Includes Knucklehead Conductor Tube – Part No. 64SFLX4-80 (Stock No. 1640-1113) - See pages 102-103 for more information on Knucklehead Conductor Tubes.

Refer to Pages 24-25 for Parts Breakdown information.

Miller is a registered trademark of Illinois Tool Works, Inc. Lincoln is a registered trademark of Lincoln Electric Co. The aforementioned registered trademarks are in no way affiliated with Tweco Products, Inc. Tweco is registered trademark of Thermadyne Industries, Inc.



Refer to Pages 86-101 for more complete detail on front end options. Refer to Pages 24-25 for Parts Breakdown information.

Arcair
Professional

Metal Working Chemicals

Metal working chemicals are available from Arcair. Full line of anti-spatter compounds, aluminum cleaners, and zinc-rich cold galvanizing compound. Contact Tweco Customer Care at 800-426-1888 for more details.





Professional No.5 500 Amp 60% Duty Cycle, CO₂

TWECO* STYLE REAR CONNECTOR			
Wire Size	Length	Part No.	Stock No.
Up To 1/16" (1,6mm)	15 ft. (5M)	515-116	1050-1113
	25 ft. (8M)	525-116	1050-1115
3/32" (2,4mm)	10 ft. (3M)	510-332	1050-1131
	15 ft. (5M)	515-332	1050-1133

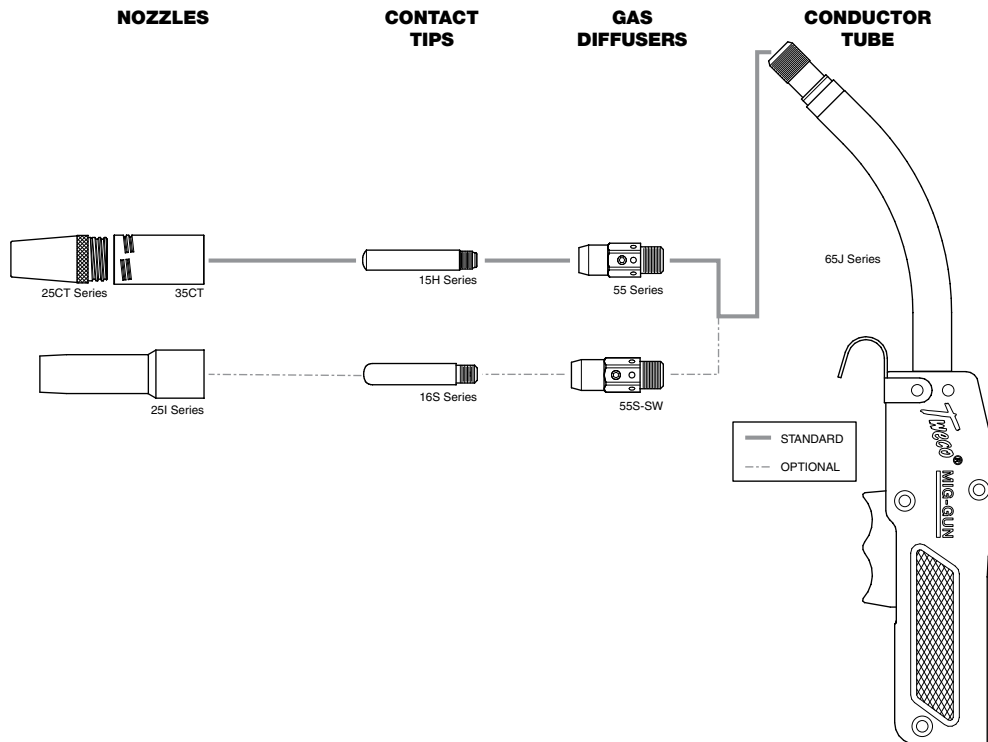
MILLER STYLE REAR CONNECTOR			
Wire Size	Length	Part No.	Stock No.
Up To 1/16" (1,6mm)	15 ft. (5M)	M515-116	1050-1173

LINCOLN† STYLE REAR CONNECTOR			
Wire Size	Length	Part No.	Stock No.
3/32" (2,4mm)	10 ft. (3M)	L515-332	1050-1642

EURO-KWIK STYLE REAR CONNECTOR			
Wire Size	Length	Part No.	Stock No.
Up To 1/16" (1,6mm)	15 ft. (5M)	X515-116	1050-1613

* Adapter kits are available to fit Tweco rear connection to most wire feeders.

† Fits Lincoln LN7, 8, 9, SP200 - Some Lincoln wire feeders are assembled with their K1500-2 gun receiving bushing that will accept Tweco style MIG guns direct from the factory. Control wire Part No. MS354-DSLJ (Stock No. 2060-2137) must be ordered separately.



Refer to Pages 86-101 for more complete detail on front end options. Refer to Pages 24-25 for Parts Breakdown information.

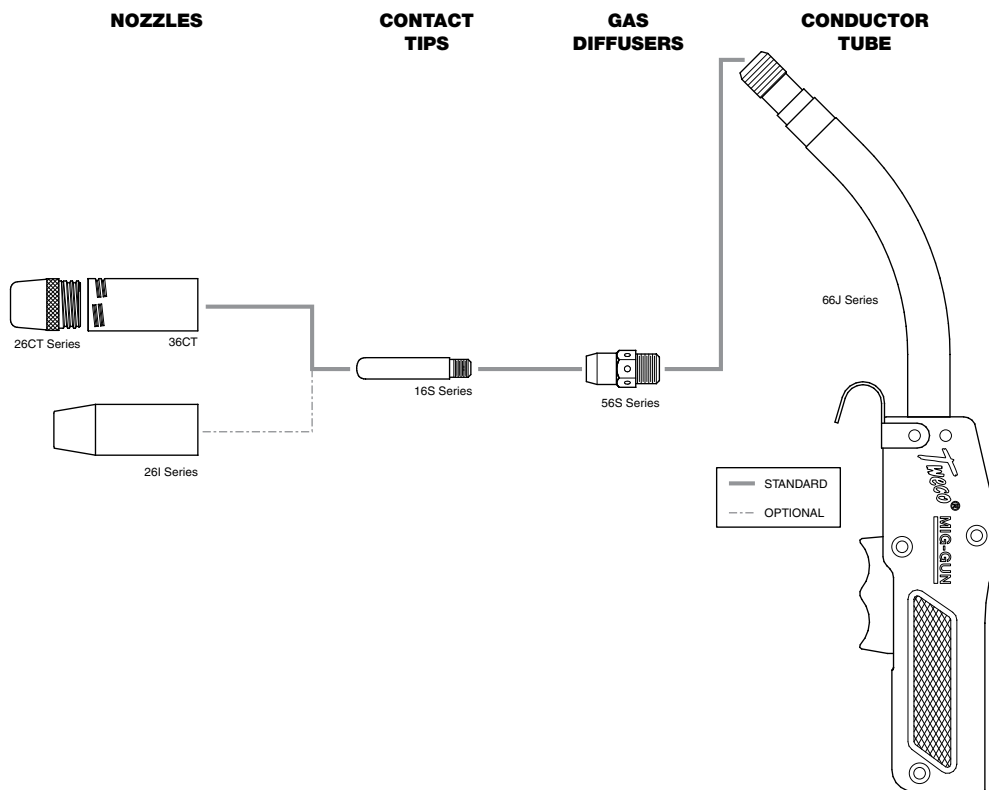
Miller is a registered trademark of Illinois Tool Works, Inc. Lincoln is a registered trademark of Lincoln Electric Co. The aforementioned registered trademarks are in no way affiliated with Tweco Products, Inc. Tweco is registered trademark of Thermadyne Industries, Inc.



Professional No.6
600 Amp
60% Duty Cycle, CO₂

TWECO* STYLE REAR CONNECTOR				MILLER STYLE REAR CONNECTOR			
Wire Size	Length	Part No.	Stock No.	Wire Size	Length	Part No.	Stock No.
3/32" (2,4mm)	15 ft. (5M)	615-332	1060-1217	3/32" (2,4mm)	15 ft. (5M)	M615-332	1060-1242

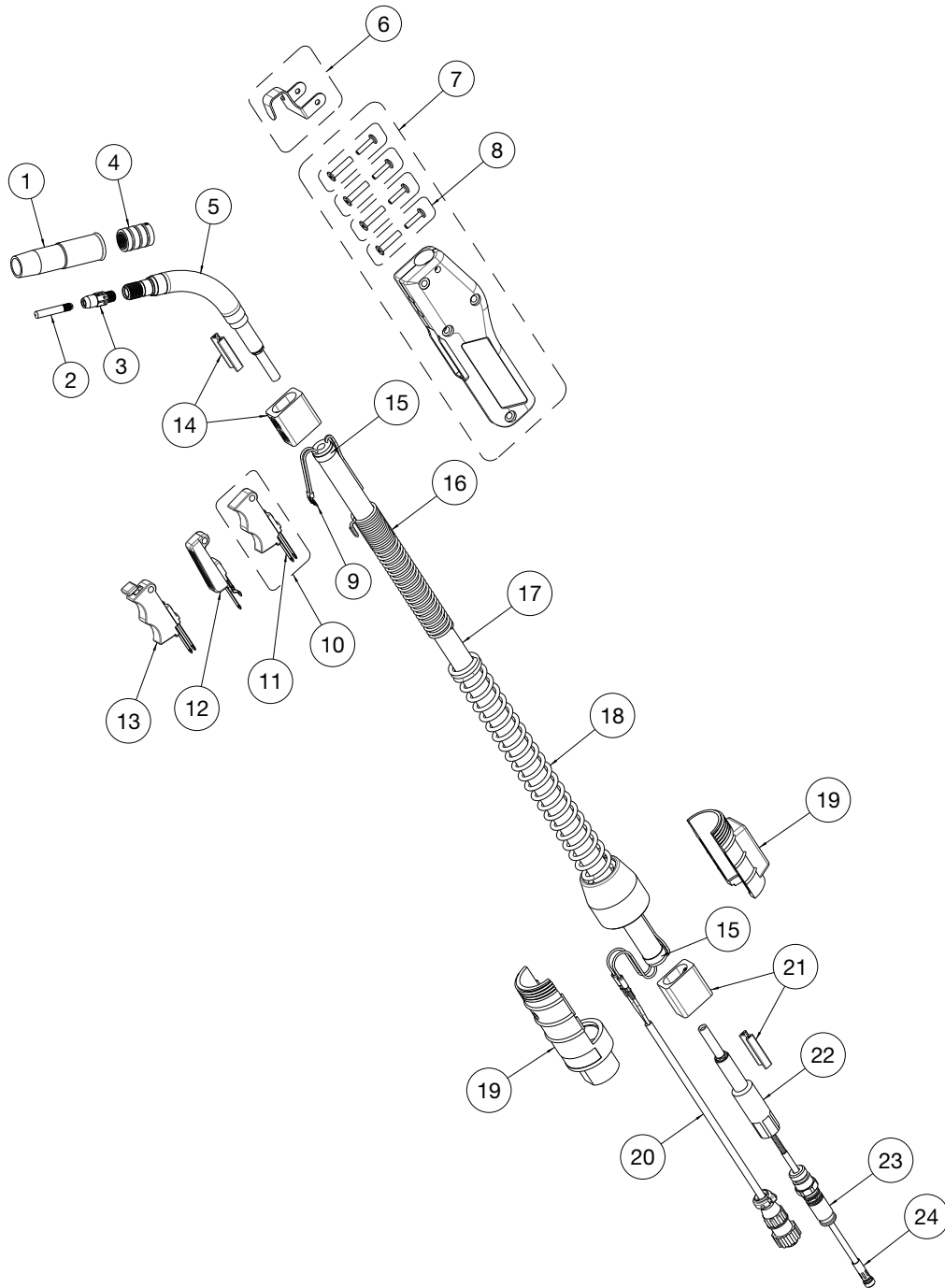
* Adapter kits are available to fit Tweco rear connections to most wire feeders



Refer to Pages 86-101 for more complete detail on front end options. Refer to Pages 24-25 for Parts Breakdown information.

Miller is a registered trademark of Illinois Tool Works, Inc. The aforementioned registered trademarks are in no way affiliated with Tweco Products, Inc. Tweco is registered trademark of Thermadyne Industries, Inc.

Professional #1, #2, #3, #4, #5 and #6 MIG-Gun Replacement Parts



PROFESSIONAL #1, #2, #3, #4, #5 AND #6 MIG-GUN REPLACEMENT PARTS								
#	DESCRIPTION	#1	#2	#3	#4	#5	#6	
1	Nozzles	Refer to Pages 91-99						
2	Contact Tips	Refer to Pages 88-90						
3	Diffusers	Refer to Pages 100-101						
4	Nozzle Insulators	Refer to Pages 91-99						
5	Conductor Tubes	Refer to Pages 102-105						
6	Gun Hanger	152 2020-2152			154 2040-2154			
7	Handle Assembly - (Standard)	81 2010-2081	83 2030-2083	84A 2040-2084	85 2050-2085			
	Handle Assembly - (Dual Schedule)	N/A			84DS 2040-2085	N/A		
8	Binder Post & Screw - (4 Required)	122FM 2020-2122			124FM 2040-2124			
9	Trigger Control Wire Terminal - (Standard - 2 EA)	244DS 2040-2245	244 2040-2224					
	Trigger Control Wire Terminal - (Dual Schedule - 4 EA)	N/A			244LK 2040-2246	N/A		
10	Trigger Assembly - (Standard)	91 2010-2091	92 2020-2092	94R 2040-2096				
11	Trigger Blades	91C 2010-2093	92C 2020-2094	94C 2040-2093				
12	Trigger Assembly - (Dual Schedule)	N/A			94LK-DS 2040-2099			
13	Trigger Assembly - (Locking)	N/A			94L 2040-2094			
14	Front Cable Connector	101R 2010-2103	102 2020-2102	104 2040-2104				
15	Cable Clamp	136 2060-2690						
16	Front Strain Relief Spring	141-6-SPR 2010-2143	142-6-SPR 2020-2144	144-6-SPR 2040-2146	145-6-SPR 2050-2147			
17	Cablehoz	200 1720-2100	300 1730-2100	400 1740-2100	500 1750-2100	600S 1760-2100		
18	Rear Strain Relief Spring	235RSSR 2060-2035						
19	Rear Case - Direct Plug	R6RC 2060-2040						
	Rear Case - Euro	X6RC 2060-2006						
20	Control Wire - (Standard)	MS354-DSM 2060-2140						
	Control Wire - (Dual Schedule)	194DS 2040-2195						
21	Rear Cable Connector - Direct Plug	104 2040-2104						
	Rear Cable Connector - Euro	172X-M 2020-2181	174X-M 2040-2181	176X-M 2060-2181				
22	Adapter - Direct Plug	M170-2H 2020-2165	M170-4H 2020-2166	M170-5H 2020-2167				
23	Connector Plug	Refer to Page 84						
24	Conduit Assembly	Refer to Pages 106-108						
NS	Protective Cable Wrap (50Ft/Box)	TCR50 9900-1150						

N/A = Not Available



Dennis Cook
DAE Fabrication Manager



MAKING THE SWITCH.

DAE Industries designs, fabricates and installs aircraft engine stands, maintenance stands and structures for aircraft maintenance tooling. The Louisville based company has approximately 40 welding and fabrication stations, and is always looking for ways to increase productivity.

Recently, DAE and its welders compared their MIG guns to the Tweco Spray Master™ MIG gun. "The extended trigger on the handle keeps my hand away from the heat of the arc," commented Jason Burns, a top DAE Welder. "The gun doesn't overheat, so I can remain productive."

They were so impressed by its ability to handle demanding conditions that they converted all their MIG guns to the Tweco Spray Master model. After making the switch, DAE reported seeing instant improvements in productivity.

"The Spray Master MIG gun has proven to be extremely dependable and tough, with zero failures to date. And we've experienced a 60-70% increase in total consumable life, which has created less downtime when changing out parts," says DAE Fabrication Manager, Dennis Cook.

With the Spray Master MIG guns, DAE saw a decrease in welder fatigue and an increase in consumable parts life. For a company wanting to improve productivity, it seems switching to Tweco was the right choice.

DAE INDUSTRIES
Louisville, KY

Dennis Cook and the welders at DAE Industries carry the torch – will you?

THERMADYNE, A GLOBAL CUTTING AND WELDING LEADER, joins the American Welding Society in encouraging individuals to practice the art, craftsmanship and professions of welding, metalworking and fabrication. Victor, Thermal Dynamics, Thermal Arc, Arcair, Tweco, Stoody, Cigweld and TurboTorch are among the Thermadyne family of brands that you can count on for safety, reliability and quality.

Tweco®

www.thermadyne.com



American Welding Society
Sustaining Company Member



MINI-MIG
160 Amp
60% Duty Cycle, CO₂

TWECO* STYLE REAR CONNECTOR			
Wire Size	Length	Part No.	Stock No.
Up To .035" (0,9mm)	10 ft. (3M)	35-10	1000-1131
	12 ft. (4M)	35-12	1000-1132
	15 ft. (5M)	35-15	1000-1133

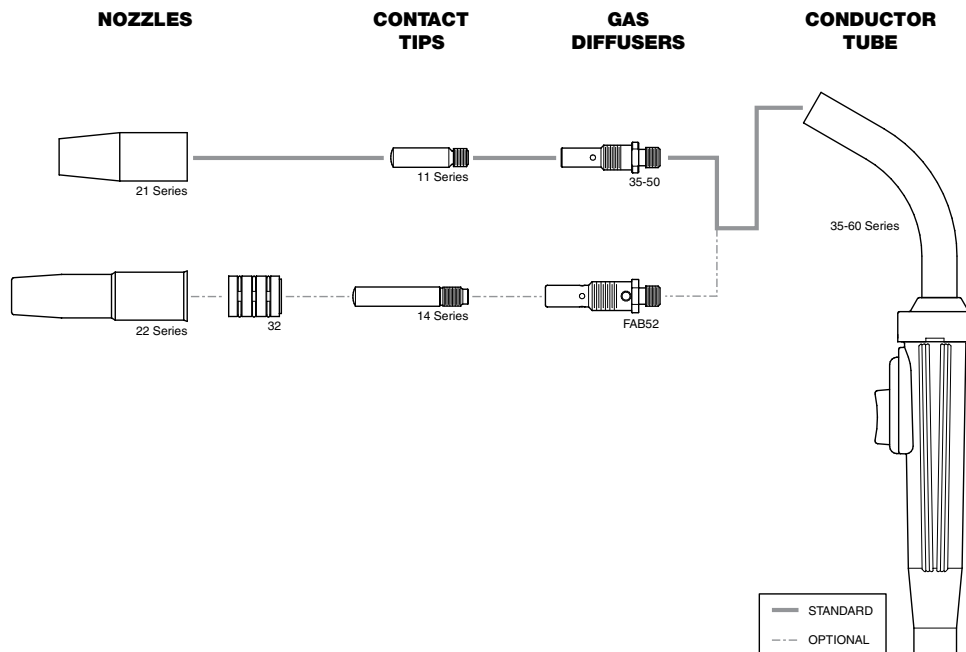
LINCOLN† STYLE REAR CONNECTOR			
Wire Size	Length	Part No.	Stock No.
Up To .035" (0,9mm)	10 ft. (3M)	L35-10	1000-1231
	12 ft. (4M)	L35-12	1000-1232
	15 ft. (5M)	L35-15	1000-1233

MILLER STYLE REAR CONNECTOR			
Wire Size	Length	Part No.	Stock No.
.023" (0,6mm)	10 ft. (3M)	M23-10	1000-1210
Up To .035" (0,9mm)	10 ft. (3M)	M35-10	1000-1211
	12 ft. (4M)	M35-12	1000-1213
	15 ft. (5M)	M35-15	1000-1215

EURO-KWIK STYLE REAR CONNECTOR			
Wire Size	Length	Part No.	Stock No.
.023" (0,6mm)	10 ft. (3M)	X23-10	1000-1621
Up To .035" (0,9mm)	10 ft. (3M)	X35-10	1000-1631
	12 ft. (4M)	X35-12	1000-1632
	15 ft. (5M)	X35-15	1000-1633

* Adapter kits are available to fit Tweco rear connection to most wire feeders.

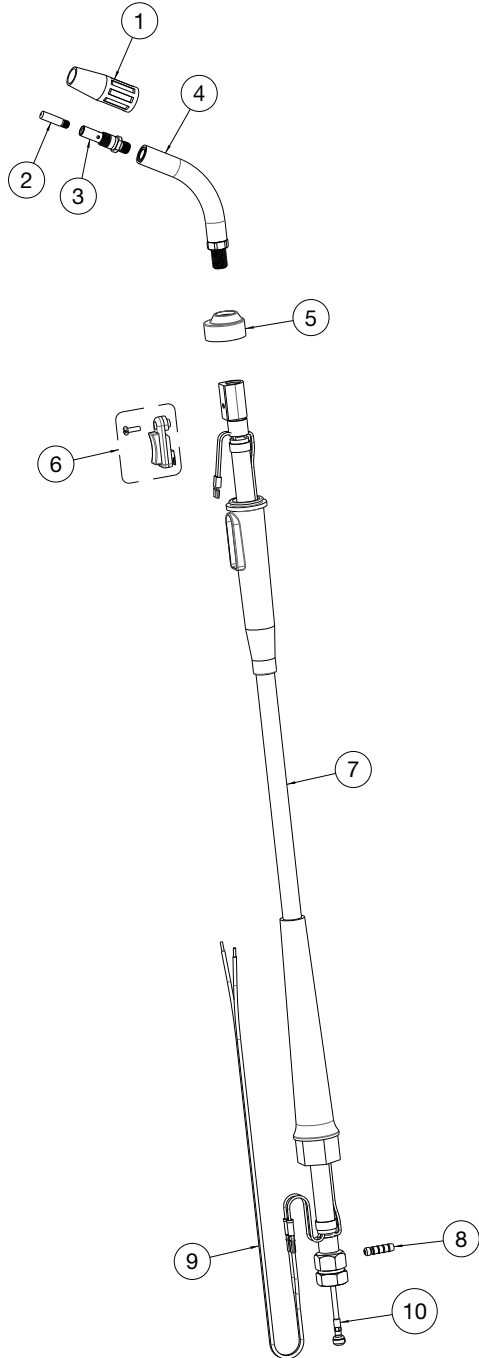
† Fits Lincoln LN7, 8, 9, SP200 - Some Lincoln wire feeders are assembled with their K1500-2 gun receiving bushing that will accept Tweco style MIG guns direct from the factory. Control wire Part No. MS354-DSLJ (Stock No. 2060-2137) must be ordered separately.



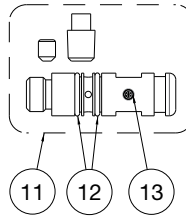
Refer to Pages 86-101 for more complete detail on front end options. Refer to Pages 28-29 for Parts Breakdown information.

Miller is a registered trademark of Illinois Tool Works, Inc. Lincoln is a registered trademark of Lincoln Electric Co. The aforementioned registered trademarks are in no way affiliated with Tweco Products, Inc. Tweco is registered trademark of Thermadyne Industries, Inc.

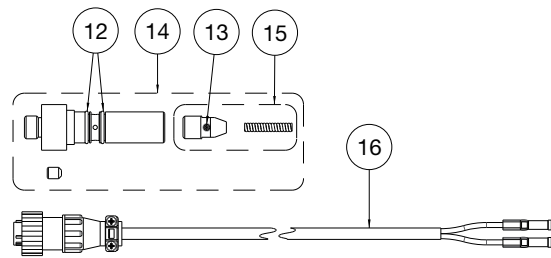
MINI-MIG Gun Replacement Parts



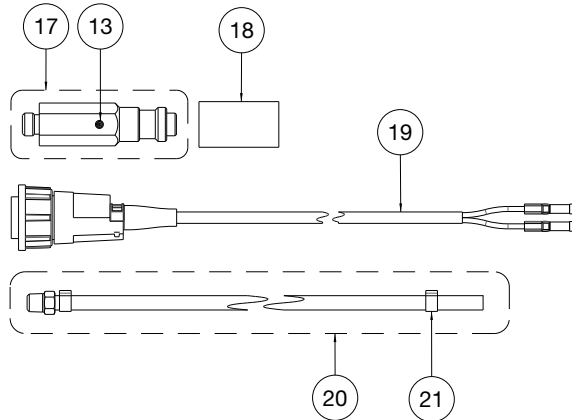
TWECO



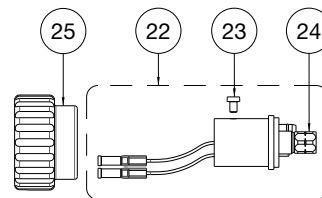
MILLER



LINCOLN



EURO



MINI-MIG GUN REPLACEMENT PARTS LIST		
#	DESCRIPTION	PART NO./STOCK NO.
1	Nozzles	Refer to Pages 91-99
2	Contact Tips	Refer to Pages 88-90
3	Diffusers	Refer to Pages 100-101
4	Conductor Tubes	Refer to Pages 102-105
5	Handle Cap	35-80-A1 2000-2081
6	Trigger with Screw	35-90 2000-2090
7	Cablehoz Assembly 10' (3M) (Direct Plug)	35-010A 1700-2126
	Cablehoz Assembly 12' (4M) (Direct Plug)	35-012A 1700-2127
	Cablehoz Assembly 15' (5M) (Direct Plug)	35-015A 1700-2128
8	Gas Nipple	35-170-5 2000-2175
9	Control Wire	35K350-1 2000-2352
10	Conduit	Refer to Pages 106-108
11	Tweco Connector Plug	35K-174C 2000-2169
12	O-Ring (Package of 10)	224S 2064-2059
13	Set Screw (Package of 10)	44CS 2040-2046
14	Miller Connector Plug	170M 2000-2810
15	Wire Guide Assembly Only	174M-N 2040-2184
16	Miller Control Wire	WM-354M 2030-2075
17	Lincoln SP200 Connector Plug	TLAK-352 2641-2030
18	Lincoln Insulator	LAK-352-1 2642-2210
19	Lincoln Control Wire	35SP-354 2000-2354
20	Gas Hose Assembly with Clamp	AK353 2642-2300
21	Gas Hose Clamp Only	AK-353-2A 2642-2302
22	Euro-Kwik Body Assembly	174EX-1 2040-2276
23	Screw Only	4-MS 2011-2004
24	Euro-Kwik Conduit Cap Only	174EX-1C 2040-2279
25	Euro-Kwik Nut	174X-2 2040-2177
NS	Protective Cable Wrap (50Ft/Box)	TCR50 9900-1150

For additional information on adapter kits for other manufacturers' machines, refer to Form No. TAKL-97.

Miller is a registered trademark of Illinois Tool Works, Inc. Lincoln is a registered trademark of Lincoln Electric Co. The aforementioned registered trademarks are in no way affiliated with Tweco Robotics or Thermadyne Industries, Inc. Tweco is a registered trademark of Thermadyne Industries, Inc.

PULSEMASTER™ MIG GUN SERIES

FEATURES & BENEFITS

One-touch, on-the-fly controls

- “smart” capability with one-touch digital control to adjust primary parameters such as welding current, material thickness, wire feed speed or arc length trim
- standard MIG gun without “smart” capability

Exceptional weld bead

- using twin-pulse mode, get the perfect weld bead that you want

Operator appeal and reduces operator fatigue

- ergonomic handle to reduce operator fatigue
- tool free conductor tube change & rotation
- low bench weight for easy to handle gun

Durable for industrial applications

- heavy duty design for industrial application environments
- impact resistant handle and trigger design
- increased current capacity Cablehoz®

Lower heat in the handle and conductor tube

- heavy duty Cablehoz and conductor tube for improved electrical conductivity and lower heat in the front end
- heavy duty contact tip and diffuser to act as “heat sink”
- increased interface between contact tip & gas diffuser improves electrical conductivity

Improved performance with longer life consumables

- heavy duty contact tips in high heat applications
- gun drilled contact tips for exceptionally smooth surface for improved feedability, consistency and longer tip life



Tweco PulseMaster Smart MIG Gun with digital display - use with Thermal Arc SP machines only

Tweco Standard PulseMaster MIG Gun

MODEL	OUTPUT			PROCESS		STANDARD OPTIONS			APPLICATION		
	Current (Amps)	Duty Cycle Mixed Gas	Wire Diameter in. (mm)	MIG	Aluminum	Smart Capability	Standard Without “Smart” Capability	Reel Connector	Light Duty Fab	Medium Duty Fab	Heavy Duty Fab
PulseMaster 350	350	60%	Up to 1/16" (1,6mm)	●	●	●	●	●	●		
PulseMaster 450	450	60%	Up to 1/16" (1,6mm)	●	●	●	●	●			●

PULSEMASTER™ MIG GUN HANDLE DESIGN & STYLE

PERFORMANCE

Quick-change, multi-position conductor tube

Extended-life consumables

Blade-style trigger performs over 2 million cycles without failure

DURABILITY

Ergonomic handle design

Improved strain relief provides excellent flexibility and reduces operator fatigue

EASE OF USE

Digital display and one-touch controls for on-the-fly adjustments

Heavy duty industrial design featuring an impact-resistant handle

High-performance cable designed for the demands of pulse welding

Exceptionally smooth feed performance reduces "bird nesting"



Digital Display Screen

Selection Buttons

Menu Options

- Welding current
- Material thickness
- Wire feed speed
- Arc length trim

PulseMaster™ 350 & 450 Amp 60% Duty Cycle, CO₂



AIR-COOLED PULSEMASTER GUN ASSEMBLIES		
Description	(PART NO. / STOCK NO.)	
	Tweco*	Euro-Kwik
350 Amp Gun Assembly with 12' (4M) Cable	PMA312-3545 1038-1150	PMA312X-3545 1038-1151
350 Amp Gun Assembly with 15' (5M) Cable	PMA315-3545 1038-1155	PMA315X-3545 1038-1156
450 Amp Gun Assembly with 12' (4M) Cable	PMA412-3545 1041-1500	PMA412X-3545 1041-1505
450 Amp Gun Assembly with 15' (5M) Cable	PMA415-3545 1041-1501	PMA415X-3545 1041-1506

AIR-COOLED PULSEMASTER SMART GUN ASSEMBLIES		
Description	(PART NO. / STOCK NO.)	
	Tweco	Euro-Kwik
350 Amp Gun Assembly with 12' (4M) Cable	PMAS312-3545 1038-1152	PMAS312X-3545 1038-1153
350 Amp Gun Assembly with 15' (5M) Cable	PMAS315-3545 1038-1157	PMAS315X-3545 1038-1158
450 Amp Gun Assembly with 12' (4M) Cable	PMAS412-3545 1041-1510	PMAS412X-3545 1041-1515
450 Amp Gun Assembly with 15' (5M) Cable	PMAS415-3545 1041-1511	PMAS415X-3545 1041-1516

Note: PulseMaster "Smart" MIG Guns are used only with the Thermal Arc SP machines.

* Adapter kits are available to fit Tweco rear connection to most wire feeders.
Some Lincoln feeders are assembled with their K1500-2 gun receiving bushing that will accept Tweco style MIG guns direct from the factory.
Control wire Part No. MS354-DSLJ (Stock No. 2060-2137) must be ordered separately.



TEAMWORK

Analani (Ana) Smith started with Tweco in Wichita, Kansas in 1996, building welding helmets and goggles. She continued her career through assembly and machining departments over the next 8 years and then moved to Texas with the company. She got some training and work in robotics assembly and was later moved to the welding lab a few years ago. Her experience with components and assembly lead to a desire to learn more and more about welding.

"I AM PROUD TO BE A PART OF THERMADYNE. AMONG OTHER THINGS, WE MANUFACTURE AND SELL SOME OF THE MOST POPULAR MIG GUNS IN THE WORLD. THE BRAND TWECO STANDS FOR QUALITY AND RELIABILITY. TWECO IS THE WORLD'S LARGEST SUPPLIER OF WELDING AND CUTTING PRODUCTS INCLUDING AN EXTENSIVE ARRAY FROM BASIC MANUAL WELDING TOOLS AND ACCESSORIES TO MIG GUNS, CONSUMABLES AND A COMPLETE SELECTION OF PRODUCTS FOR PRECISION ROBOTIC WELDING."

Ana Smith has no time to get bored on the job. Every day is different. As part of the team of laboratory technicians at the Thermadyne welding lab in Denton, Texas, every day offers a new challenge.

"Ana is a hard worker and a great addition to our team," reports Principal Laboratory Technician, Galen Johnson.

ANA SMITH
Laboratory Technician
Denton, Texas

THERMADYNE, A GLOBAL CUTTING AND WELDING LEADER joins the American Welding Society in encouraging individuals to practice the art, craftsmanship and professions of welding, metalworking and fabrication. Victor, Thermal Dynamics, Thermal Arc, Arcair, Tweco, Stooddy, Cigweld and TurboTorch are among the family of brands that you can count on for safety, reliability and quality.

Tweco®



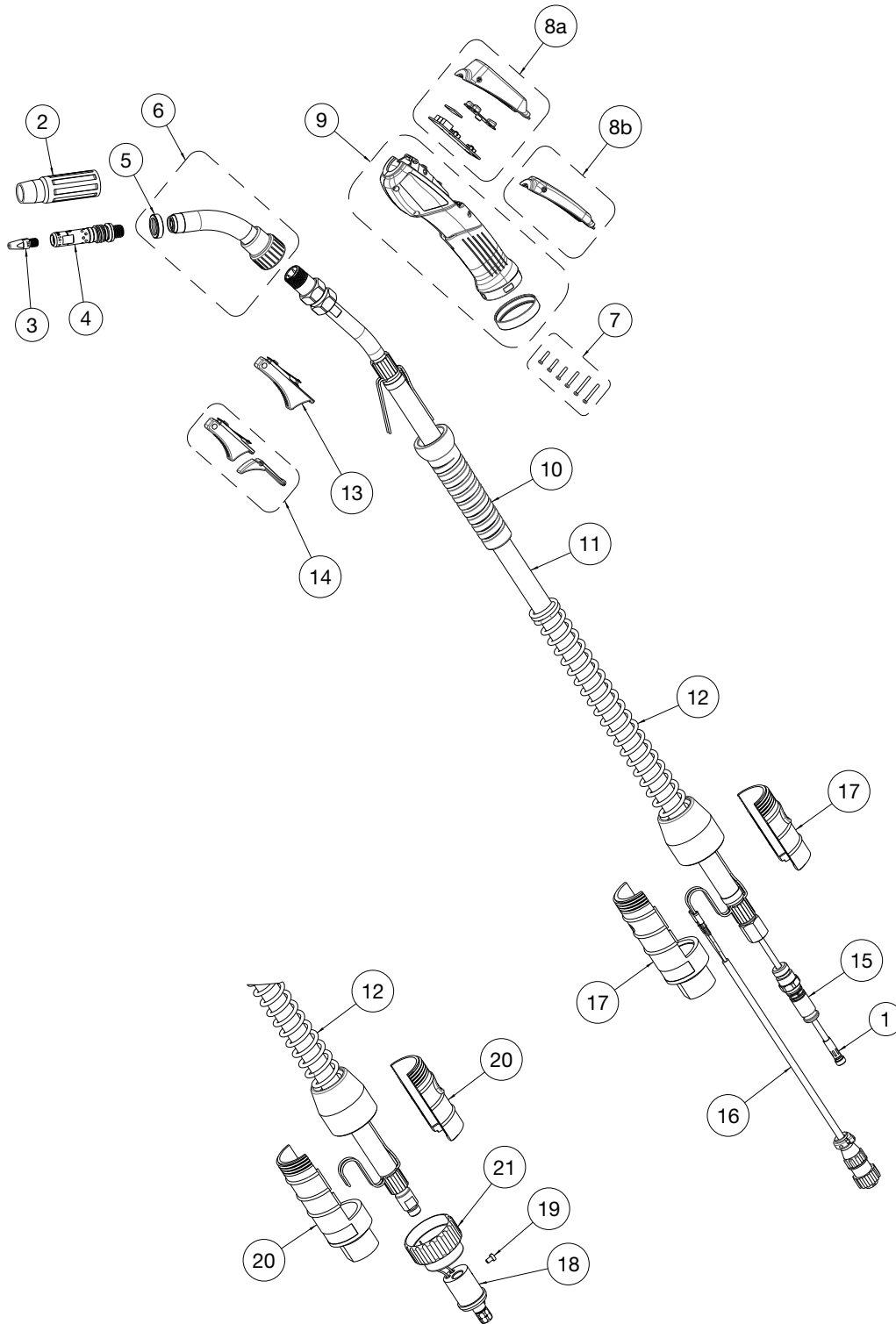
TWECO PPROFESSIONAL NUMBER 4 MIG GUN
AND TWECO SPRAY MASTER MIG GUN.

www.thermadyne.com



American Welding Society
Sustaining Company Member

PulseMaster™ Air-Cooled Replacement Parts



PULSEMASTER™ AIR-COOLED MIG GUN REPLACEMENT PARTS LIST		
#	DESCRIPTION	PART NO./STOCK NO.
1	Conduit	Refer to Pages 106-108
2	Nozzle	Refer to Pages 91-99
3	Contact Tip	Refer to Pages 88-90
4	Gas Diffuser used w/ 16PS Series Contact Tips	PMA54-16S 1543-1106
5	Nozzle Insulator	66J-3 1660-1836
6	Conductor Tube	Refer to Pages 102-105
7	Handle Screws w/ T9 Star Head (12mm, 16mm, & 20mm LG)	PMHSK 2060-2705
8a	Handle Housing w/ Smart Control Assembly	PM84-PCB-HK 2060-2706
8b	Handle Housing (Blank)	PM84-H 2060-2707
9	Large Handle Assembly w/ Retaining Ring	PM84 2060-2708
	Small Handle Assembly w/ Retaining Ring	PM83 2060-2715
10	Front Cable Support	PMA-SPS 2060-2709
11a	350 amp 12 ft. (4M) Cablehoz Assembly	PM400-12 2060-2703
11b	350 amp 15 ft. (5M) Cablehoz Assembly	PM400-15 2060-2704
11c	350 amp 12 ft. (4M) Cablehoz Assembly (Euro)	PM400X-12 2060-2718
11d	350 amp 15 ft. (5M) Cablehoz Assembly (Euro)	PM400X-15 2060-2719
11e	450 amp 12 ft. (4M) Cablehoz Assembly	PM500-12 2060-2710
11f	450 amp 15 ft. (5M) Cablehoz Assembly	PM500-15 2060-2711
11g	450 amp 12 ft. (4M) Cablehoz Assembly (Euro)	PM500X-12 2060-2716
11h	450 amp 15 ft. (5M) Cablehoz Assembly (Euro)	PM500X-15 2060-2717
12	Rear Cable Support	235RSSR 2060-2035
13	Trigger	PM94 2060-2712
14	Trigger & Guard Assembly	PM94X 2060-2713
15	Heavy Duty Connector Plug Assembly	350-174H 2035-2110
16	Control Wire Plug	MS354-DSM 2060-2140
17	Rear Case	PM6RC 2060-2714
18	Euro-Kwik Rear Connector	174EX-1 2040-2276
19	Screw (Euro Rear Connector)	4M-S 2011-2004
20	Rear Case and Strain Relief (Euro)	X6RC 2060-2006
21	Connector Nut (Euro)	174X-2 2040-2177
NS	Protective Cable Wrap (50Ft/Box)	TCR50 9900-1150

COMPACT ELIMINATOR® MIG GUN SERIES

FEATURES & BENEFITS

Operator appeal

- ergonomic handle to reduce operator fatigue
- extended trigger length to reduce radiated heat to welder's gloved hand

Field repairable

- split-half handle case provides access for ease of repair
- field repairable mechanical cable connections available
- spare trigger leads in Cablehoz®

Improved performance patented contact tip

- no threads
- cam style interface between contact tip & gas diffuser for increased surface contact

Ball & socket conductor tube design

- articulating conductor tube
- three layer conductor tube construction (copper tube/ silicon resin fiberglass insulator/metal jacket)

Wide welding applications

- spray transfer & pulse welding modes
- straight CO₂ or mixed gases



MODEL	OUTPUT			PROCESS				STANDARD OPTIONS				APPLICATION		
	Current (Amps)	Duty Cycle Mixed Gas	Wire Diameter in. (mm)	MIG	Aluminum	Flux-Cored Gas Shielded	Flux-Cored Self Shielded	Dual Schedule	Locking Trigger	Rear Connector	Knucklehead Flexible Conductor Tube	Light Duty Fab	Medium Duty Fab	Heavy Duty Fab
Compact Eliminator 250 Amp	250	60%	Up to .045" (1,2mm)	●	●	●	●			●	●	●		
Compact Eliminator 450 Amp	450	60%	Up to 1/16" (1,6mm)	●	●	●	●	●		●	●			●



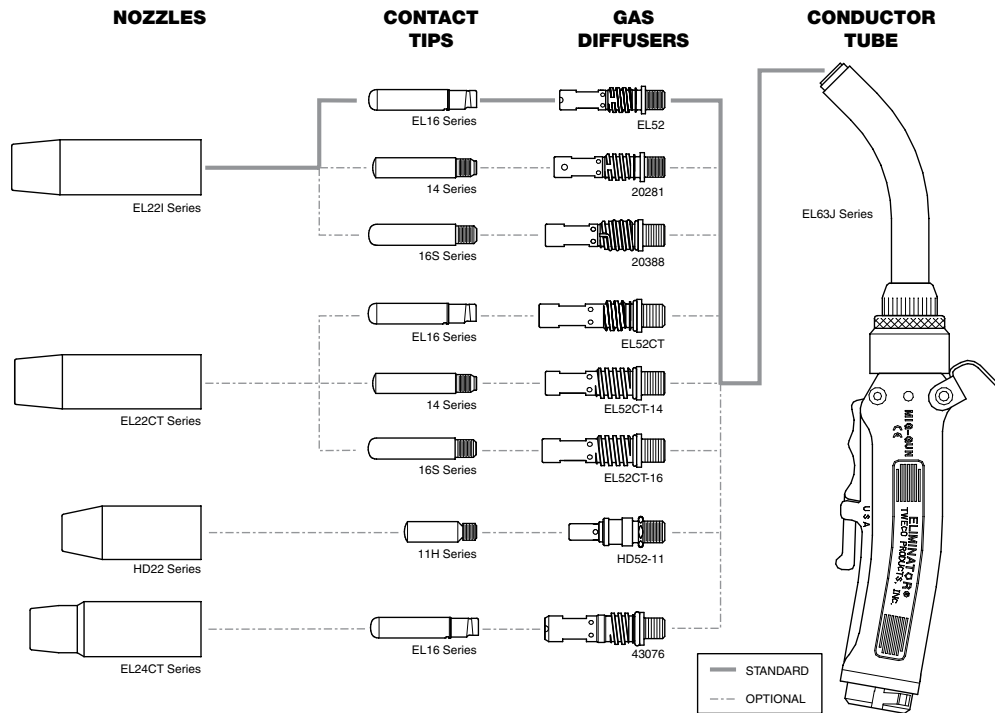
**Compact Eliminator®
250 Amp
60% Duty Cycle, CO₂**

TWECO* STYLE REAR CONNECTOR			
Wire Size	Length	Part No.	Stock No.
Up To .045" (1,2mm)	12 ft. (4M)	ELC212-4045	1028-1108
	15 ft. (5M)	ELC215-4045	1028-1112

EURO-KWIK STYLE REAR CONNECTOR			
Wire Size	Length	Part No.	Stock No.
Up To .045" (1,2mm)	15 ft. (5M)	XELC215-4045	1028-1137

MILLER STYLE REAR CONNECTOR			
Wire Size	Length	Part No.	Stock No.
Up To .045" (1,2mm)	12 ft. (4M)	ELC212M-4045	1028-1158
	15 ft. (5M)	ELC215M-4045	1028-1162
	25 ft. (8M)	ELC225M-4045	1028-1170

* Adapter kits are available to fit Tweco rear connection to most wire feeders. Some Lincoln feeders are assembled with their K1500-2 gun receiving bushing that will accept Tweco style MIG guns direct from the factory. Control wire Part No. MS354-DSLJ (Stock No. 2060-2137) must be ordered separately.



Refer to Pages 86-101 for more complete detail on front end options. Refer to Pages 42-43 for Parts Breakdown information.

Miller is a registered trademark of Illinois Tool Works, Inc. Lincoln is a registered trademark of Lincoln Electric Co. The aforementioned registered trademarks are in no way affiliated with Tweco Products, Inc. Tweco is registered trademark of Thermadyne Industries, Inc.



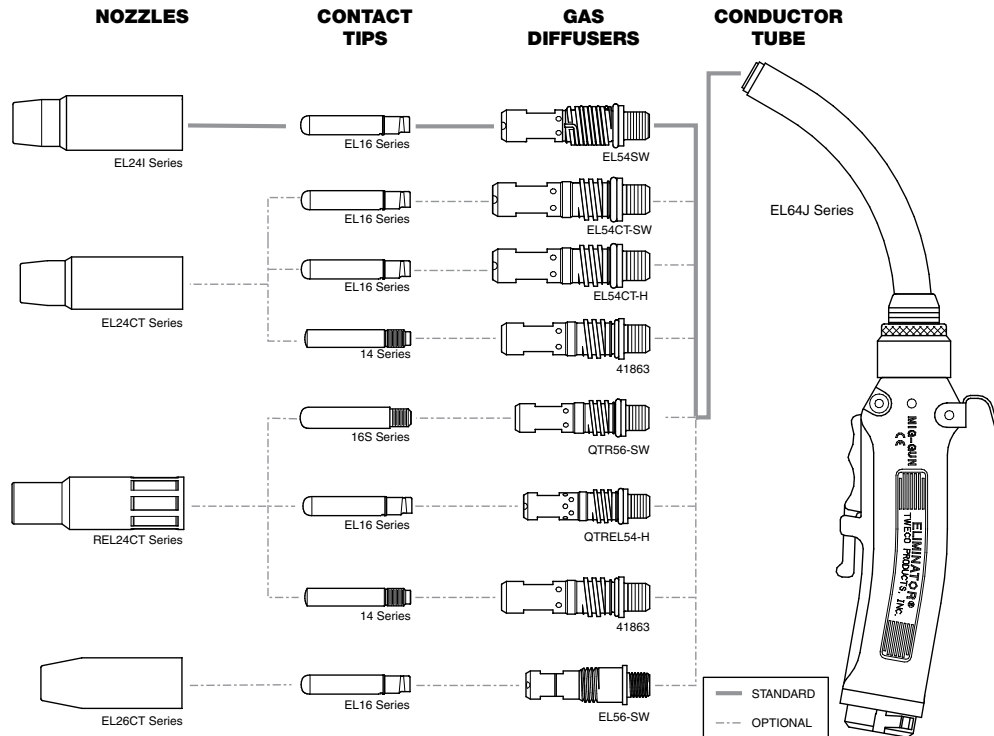
Compact Eliminator® 450 Amp 60% Duty Cycle, CO₂

TWECO* STYLE REAR CONNECTOR			
Wire Size	Length	Part No.	Stock No.
Up To .045" (1,2mm)	15 ft. (5M)	ELC415-3545	1048-1210
Up To 1/16" (1,6mm)	20 ft. (6M)	ELC420-116	1048-1216
	25 ft. (8M)	ELC425-116	1048-1221

EURO-KWIK STYLE REAR CONNECTOR			
Wire Size	Length	Part No.	Stock No.
Up To .045" (1,2mm)	12 ft. (4M)	XELC412-3545	1048-1230
	15 ft. (5M)	XELC415-3545	1048-1235

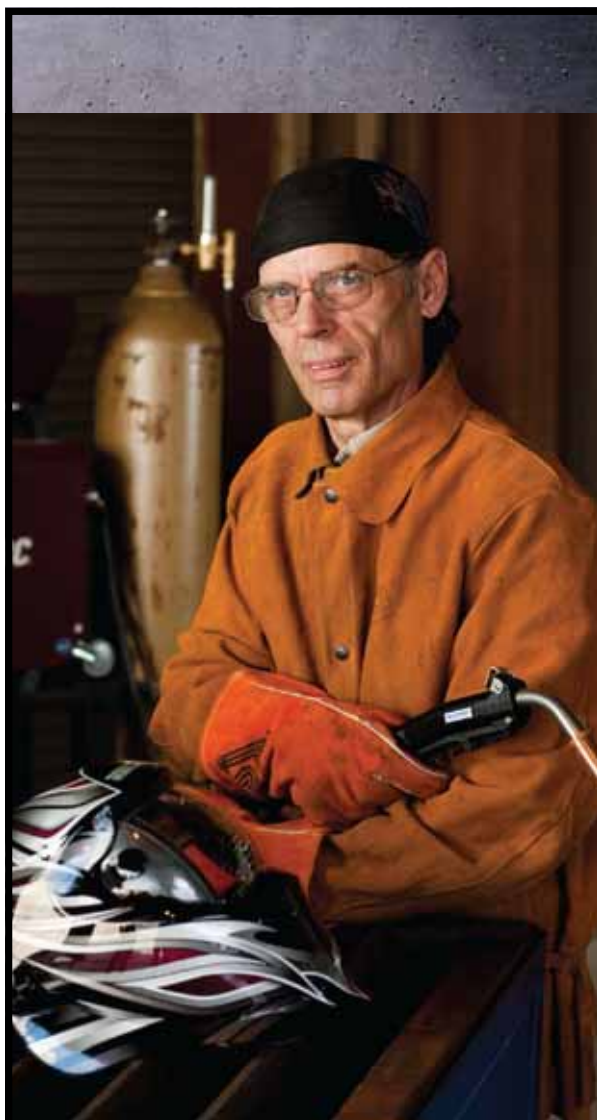
MILLER STYLE REAR CONNECTOR			
Wire Size	Length	Part No.	Stock No.
Up To .045" (1,2mm)	10 ft. (3M)	ELC410M-3545	1048-1250
	12 ft. (4M)	ELC412M-3545	1048-1255
	15 ft. (5M)	ELC415M-3545	1048-1260
Up To 1/16" (1,6mm)	25 ft. (8M)	ELC425M-116	1048-1271

* Adapter kits are available to fit Tweco rear connection to most wire feeders.



Refer to Pages 86-101 for more complete detail on front end options. Refer to Pages 42-43 for Parts Breakdown information.

Miller is a registered trademark of Illinois Tool Works, Inc. Lincoln is a registered trademark of Lincoln Electric Co. The aforementioned registered trademarks are in no way affiliated with Tweco Products, Inc. Tweco is registered trademark of Thermadyne Industries, Inc.



“ANYTHING. ANYTIME. ANYWHERE.”

Galen Johnson has been welding since 1966. He served in Vietnam and has his own portable welding rig. His career has included work on pipelines, railroads and odd jobs.

“I’VE DONE WELDING FOR EVERYTHING FROM PIPELINES TO TRICYCLES. I’VE EVEN REBUILT VEHICLES. WHEN I RAN MY OWN SMALL BUSINESS I CALLED IT TRIPLE A WELDING – ANYTHING, ANYTIME, ANYWHERE.”

Galen applies that can-do spirit in everything he does. More than a dozen years ago he was persuaded to join Tweco to contribute to research and development activities. “I joined Tweco to work in R&D in 1996. I’m still here. They won’t let me out,” He says with a smile. Today, Galen is an integral part of product initiatives, customer service and technical support for Thermadyne. He runs the Lab in Denton, Texas.

“Galen is always on the go. His variety of welding experience is invaluable, as we manufacture and sell products for a wide range of welding processes and all applications. Galen brings his vast experience and expertise to evaluate our products. Galen is always on the go”, reports a co-worker from the Thermadyne global product line management team, adding. “We’re lucky to have him around.”

GALEN JOHNSON

Principal Laboratory Technician
Denton, Texas

THERMADYNE, A GLOBAL CUTTING AND WELDING LEADER joins the American Welding Society in encouraging individuals to practice the art, craftsmanship and professions of welding, metalworking and fabrication. Victor, Thermal Dynamics, Thermal Arc, Arcair, Tweco, Stoodly, Cigweld and TurboTorch are among the family of brands that you can count on for safety, reliability and quality.



TWECO PULSEMASTER AND PULLMASTER MIG GUNS OFFER DIGITAL DISPLAY AND TIG-LIKE WELD QUALITY ON ALUMINUM AND STAINLESS STEEL.

www.thermadyne.com



STANDARD ELIMINATOR® MIG GUN SERIES

FEATURES & BENEFITS

Operator appeal

- ergonomic handle to reduce operator fatigue
- extended trigger length to reduce radiated heat to welder's gloved hand

Field repairable

- split-half handle case provides access for ease of repair
- field repairable mechanical cable connections
- spare trigger leads in Cablehoz®

Improved performance patented contact tip

- no threads
- cam style interface between contact tip & gas diffuser for increased surface contact

Ball & socket conductor tube design

- articulating conductor tube
- three layer conductor tube construction (copper tube/ silicon resin fiberglass insulator/metal jacket)

Wide welding applications

- spray transfer & pulse welding modes
- straight CO₂ or mixed gases



MODEL	OUTPUT			PROCESS				STANDARD OPTIONS				APPLICATION		
	Current (Amps)	Duty Cycle Mixed Gas	Wire Diameter in. (mm)	MIG	Aluminum	Flux-Cored Gas Shielded	Flux-Cored Self Shielded	Dual Schedule	Locking Trigger	Rear Connector	Knucklehead Flexible Conductor Tube	Light Duty Fab	Medium Duty Fab	Heavy Duty Fab
Standard Eliminator 450 Amp	450	60%	Up to 1/16" (1,6mm)	●	●	●	●	●		●	●			●

**Standard Eliminator®
450 Amp
60% Duty Cycle, CO₂**



TWECO* STYLE REAR CONNECTOR			
Wire Size	Length	Part No.	Stock No.
Up To .045" (1,2mm)	15 ft. (5M)	EL415-3545	1048-1112

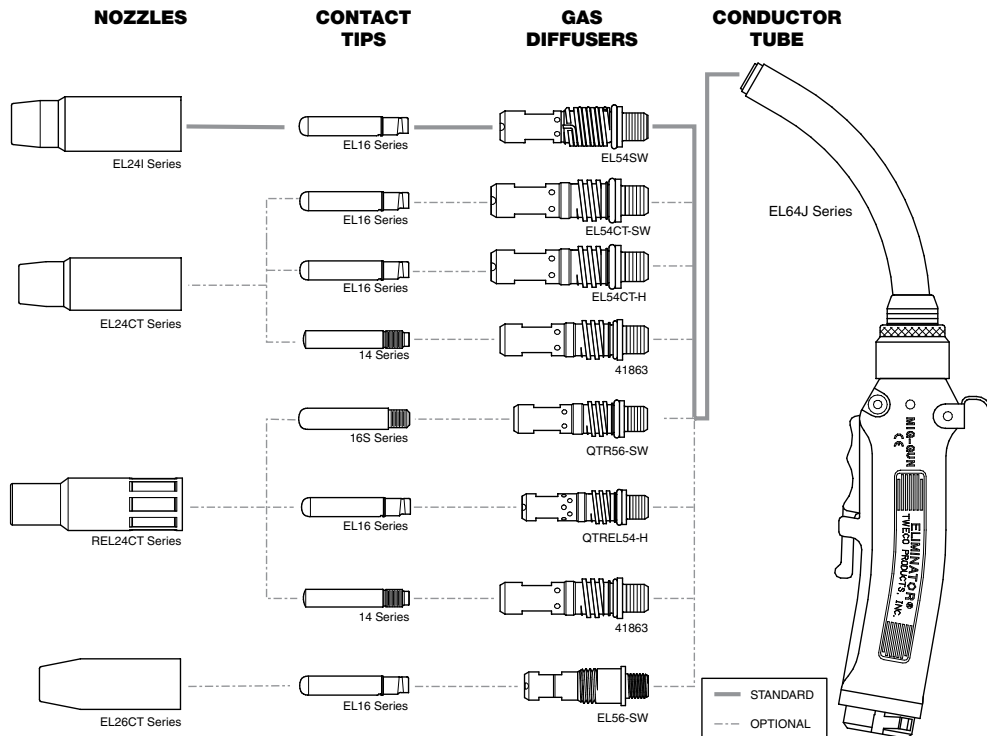
LINCOLN† STYLE REAR CONNECTOR			
Wire Size	Length	Part No.	Stock No.
Up To .045" (1,2mm)	15 ft. (5M)	EL415L-3545	1048-1190
Up To 1/16" (1,6mm)	15 ft. (5M)	EL415L-116	1048-1191

MILLER STYLE REAR CONNECTOR			
Wire Size	Length	Part No.	Stock No.
Up To .045" (1,2mm)	15 ft. (5M)	EL415M-3545	1048-1162
Up To 1/16" (1,6mm)	15 ft. (5M)	EL415M-116	1048-1163

EURO-KWIK STYLE REAR CONNECTOR			
Wire Size	Length	Part No.	Stock No.
Up To .045" (1,2mm)	15 ft. (5M)	XEL415-3545	1048-1140

* Adapter kits are available to fit Tweco rear connection to most wire feeders.

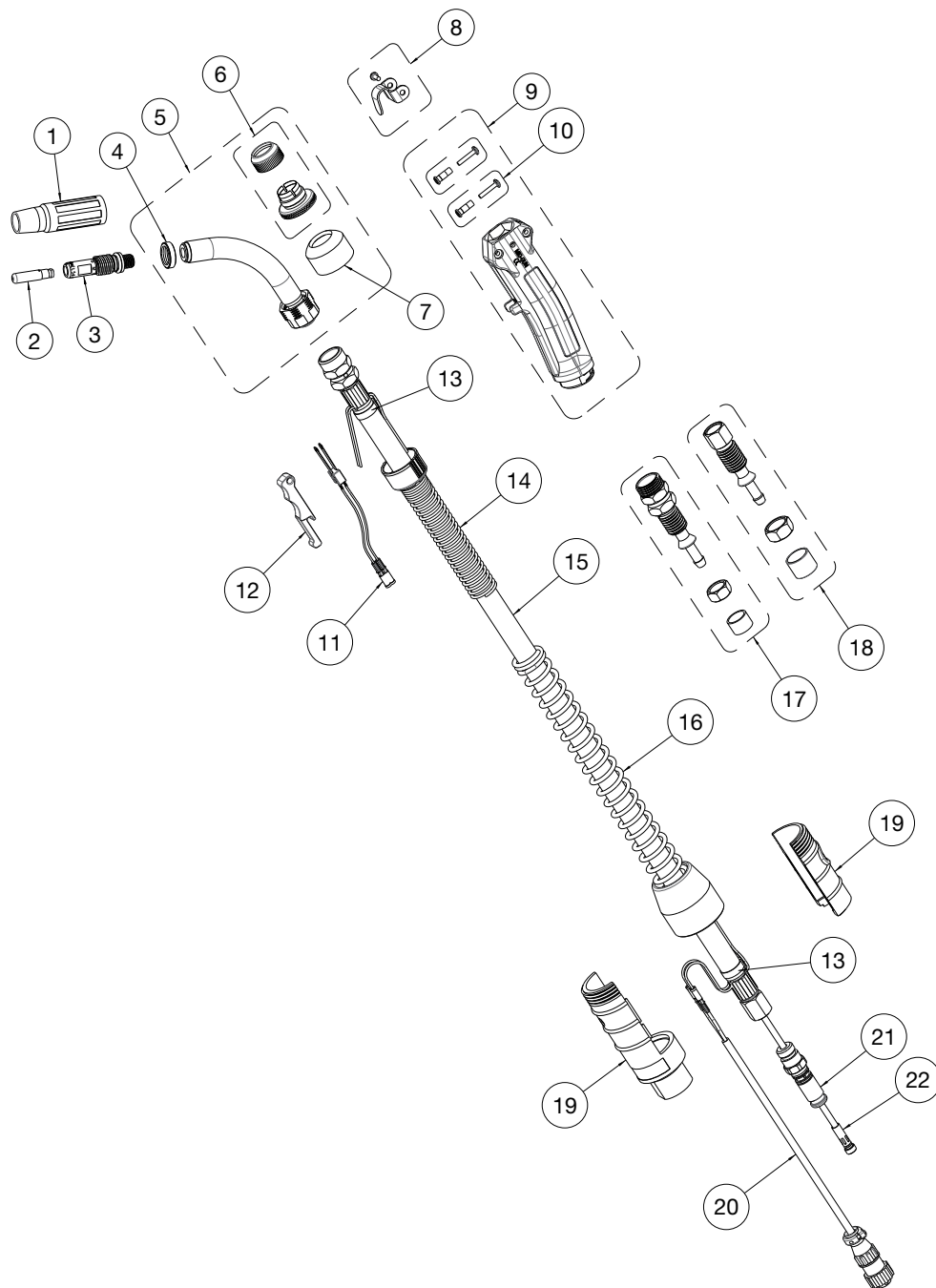
† Fits Lincoln LN7, 8, 9, SP200 - Some Lincoln wire feeders are assembled with their K1500-2 gun receiving bushing that will accept Tweco style MIG guns direct from the factory. Control wire Part No. MS354-DSLJ (Stock No. 2060-2137) must be ordered separately.



Refer to Pages 86-101 for more complete detail on front end options. Refer to Pages 42-43 for Parts Breakdown information.

Miller is a registered trademark of Illinois Tool Works, Inc. Lincoln is a registered trademark of Lincoln Electric Co. The aforementioned registered trademarks are in no way affiliated with Tweco Products, Inc. Tweco is registered trademark of Thermadyne Industries, Inc.

Eliminator® Replacement Parts



ELIMINATOR® MIG GUN REPLACEMENT PARTS LIST				
#	DESCRIPTION	Compact 250 Amp	Compact 450 Amp	Standard 450 Amp
1	Nozzles	Refer to Pages 91-99		
2	Contact Tips	Refer to Pages 88-90		
3	Diffusers	Refer to Pages 100-101		
4	Nozzle Insulator	63J-3 1630-1121	66J-3 1660-1836	
5	Conductor Tubes	Refer To Pages 102-105		
6	Nut Cover Ring & Sleeve	EL66-CR21 2060-2666		
7	Nut Insulator	EL66-CR 2060-2667		
8	Gun Hanger	152 2020-2152		
9	Handle (Includes Items #10 & #12)	ELC84-H 2060-2643		EL86-H 2060-2653
10	Binder Posts & Screws (2 Required)	ELC124FM 2060-2646		N/A
11	Trigger Blade Assembly	ELC94-BL 2060-2671		EL96-B 2060-2606
12	Trigger	ELC94 2060-2647		EL96 2060-2605
13	Cable Clamp	136 2060-2690		
14	Front Strain Relief Spring & Cap	MS144 2060-2131		EL146 2060-2686
15	Cablehoz Assembly, 15 FT (5M) (Direct Plug)	ELC215R 1720-2142	ELC415R 1740-2527	EL415R 1740-2537
	Cablehoz Assembly, 15 FT (5M) (Euro)	N/A	XELC415R 1740-2532	N/A
16	Rear Strain Relief Spring	235RSSR 2060-2035		
17	Front Cable Connector Repair Kit	ELC100-2RK 2020-2182	ELC100-4RK 2040-2187	EL100-4RK 2040-2188
18	Rear Cable Connector Repair Kit (Direct Plug)	EPG172H 2020-2191	350-170HK 2035-2169	
	Rear Cable Connector Repair Kit (Euro)	172X-M 2020-2181	174X-M 2040-2181	
19	Rear Case (Direct Plug)	C6RC 2060-2041		
	Rear Case (Euro)	X6RC 2060-2006		
20	Control Wire (Direct Plug Only)	MS354-DSM 2060-2140		
21	Connector Plug	Refer to Page 84		
22	Conduit Assembly	Refer to Pages 106-108		
NS	Protective Cable Wrap (50Ft/Box)	TCR50 9900-1150		

Miller is a registered trademark of Illinois Tool Works, Inc. Lincoln is a registered trademark of Lincoln Electric Co. The aforementioned registered trademarks are in no way affiliated with Tweco Products, Inc. Tweco is registered trademark of Thermadyne Industries, Inc.

TUFF-N-LITE MIG GUN

FEATURES & BENEFITS

Operator appeal and reduces operator fatigue

- straight handle allows the welder to locate the trigger at the bottom or top of handle
- light-weight for ease of handling

Field repairable

- split-half handle case provides access for ease of repair
- field repairable mechanical cable connections for Cablehoz®
- spare trigger leads in Cablehoz

Wide welding applications

- spray transfer mode & pulse welding
- straight CO₂ or mixed gases



Trigger Position – Top

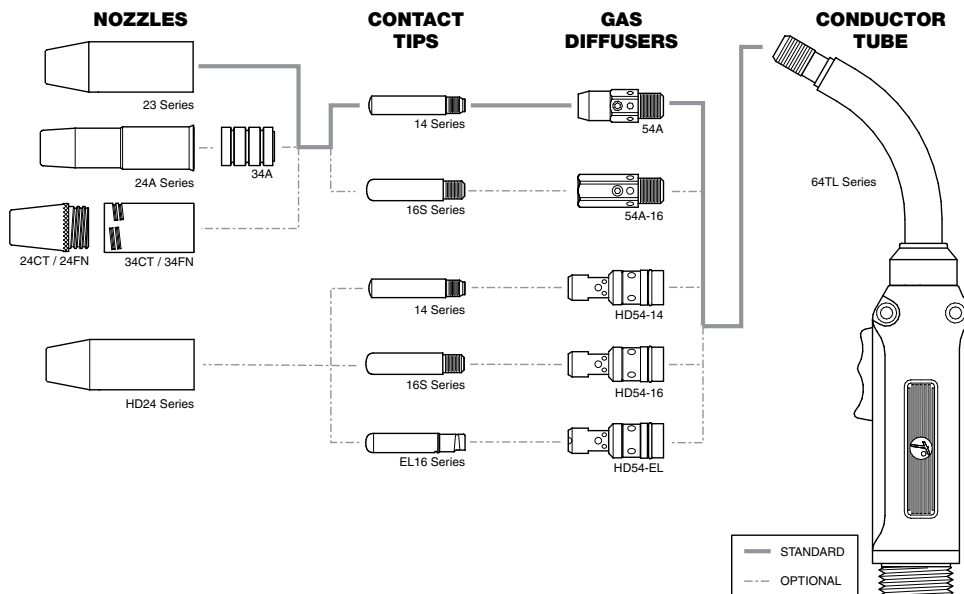
MODEL	OUTPUT			PROCESS				STANDARD OPTIONS	APPLICATION	
	Current (Amps)	Duty Cycle Mixed Gas	Wire Diameter in. (mm)	MIG	Aluminum	Flux-Cored Gas Shielded	Flux-Cored Self Shielded	Rear Connector	Light Duty Fab	Heavy Duty Fab
TUFF-N-LITE 350	350	60%	Up to 1/16" (1,6mm)	●	●	●	●	●	●	●



TUFF-N-LITE
350 Amp
60% Duty Cycle, CO₂

350 AMP GUN			
Wire Size	Cable Length	Rear Connection Style (PART NO. / STOCK NO.)	
		Tweco*	Miller
Up To 1/16" (1,6mm)	15 ft. 5M	TL350-15-116 1036-1037	TL350M-15-116 1036-1237

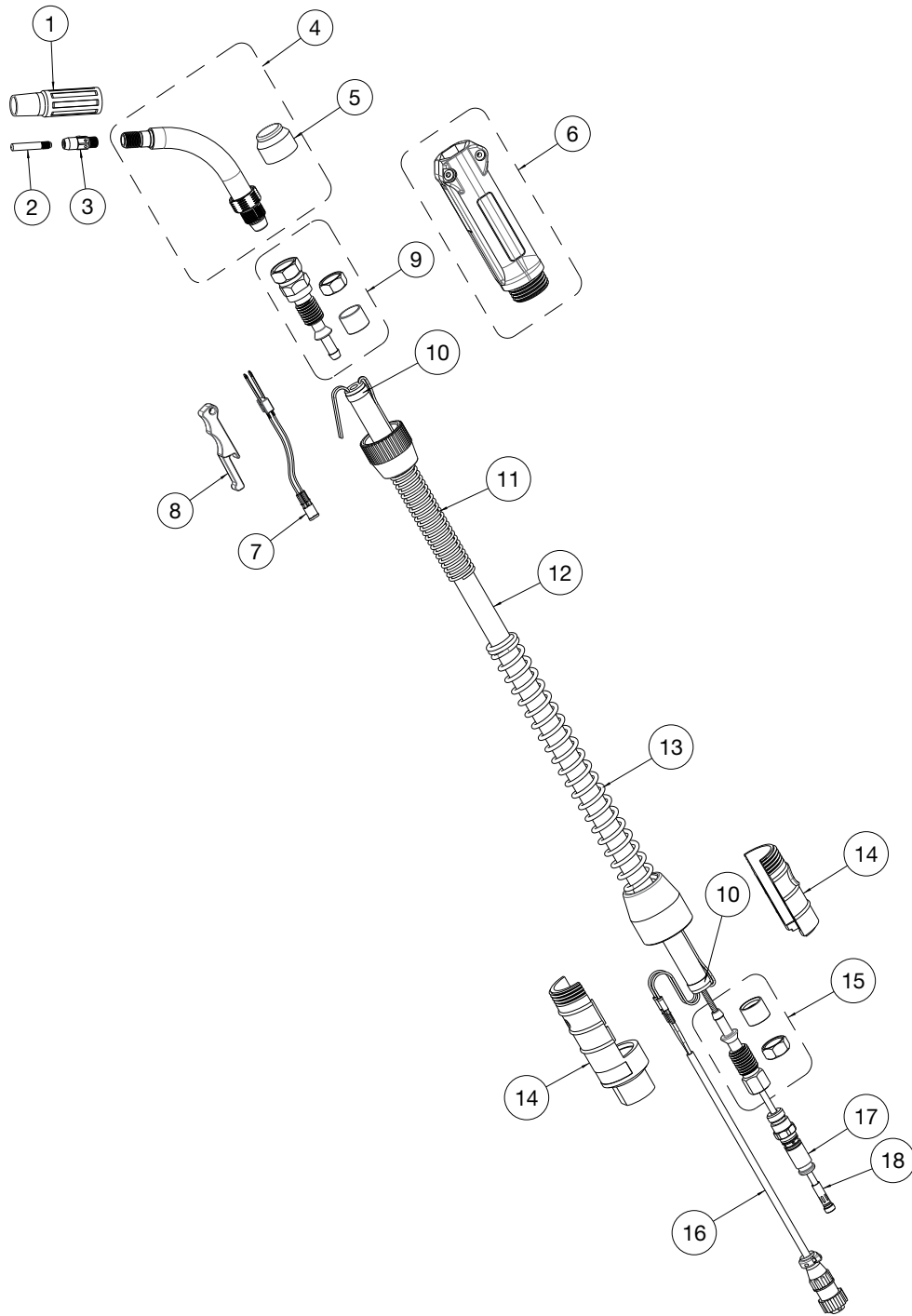
* Adapter kits are available to fit Tweco rear connection to most wire feeders.



Refer to Pages 86-101 for more complete detail on front end options. Refer to Pages 46-47 for Parts Breakdown information.

Miller is a registered trademark of Illinois Tool Works, Inc. Lincoln is a registered trademark of Lincoln Electric Co. The aforementioned registered trademarks are in no way affiliated with Tweco Products, Inc. Tweco is registered trademark of Thermadyne Industries, Inc.

TUFF-N-LITE Replacement Parts



TUFF-N-LITE REPLACEMENT PARTS LIST		
#	DESCRIPTION	PART NO./STOCK NO.
1	Nozzles	Refer to Pages 91-99
2	Contact Tips	Refer to Pages 88-90
3	Diffusers	Refer to Pages 100-101
4	Conductor Tubes	Refer to Pages 102-105
5	Nut Insulator	64TL-NC 2035-2128
6	Handle Assembly	TL350-86R 2035-2136
7	Trigger Blade Assembly	EL96B 2060-2606
8	Trigger	EL96 2060-2605
9	Front Cable Connector	104TL 2035-2130
10	Cable Clamp	136 2060-2690
11	Front Strain Relief Spring	TL144 2035-2138
12	Cablehoz	300 1730-2100
13	Rear Strain Relief Spring	235RSSR 2060-2035
14	Rear Case	C6RC 2060-2041
15	Rear Cable Connector	350-170HK 2035-2169
16	Control Wire	MS354-DSM 2060-2140
17	Connector Plug	Refer to Page 84
18	Conduit	Refer to Pages 106-108
NS	Protective Cable Wrap (50Ft/Box)	TCR50 9900-1150

SUPRA XT MIG GUN SERIES

FEATURES & BENEFITS

Field Repairable

- field repairable mechanical cable connections for Cablehoz®
- three layer conductor tube construction (copper tube/silicon-resin glass insulator/metal jacket)
- spare trigger leads in Cablehoz

Durable & dependable

- heavy-duty design
- high impact resistant one-piece "straight" handle
- heavy-duty front end consumables
- conductor tube threads into front block

Micro-switch trigger design

- incorporates a button style switch for start/stop wire feed
- Metal "paddle" style trigger lever
- Can be used as top or bottom trigger

Front and rear spring strain relief and cable support

- provides needed support to eliminate kinking of Cablehoz
- less downtime

Rugged & durable power cable

- proven abrasion & heat resistant Cablehoz

Wide welding applications

- spray transfer mode & pulse
- straight CO₂ or mixed gases



MODEL	OUTPUT			PROCESS				STANDARD OPTIONS				APPLICATION	
	Current (Amps)	Duty Cycle Mixed Gas	Wire Diameter in. (mm)	MIG	Aluminum	Flux-Cored Gas Shielded	Flux-Cored Self Shielded	Rear Connector	Heavy-Duty Front End Consumables	Eliminator Style Front End Consumables	Knucklehead Flexible Conductor Tube	Medium Duty Fab	Heavy Duty Fab
SUPRA XT SEHD 450	450	60%	Up to 1/16" (1,6mm)	●	●	●	●	●	●	●		●	
SUPRA XT SEL 450	450	60%	Up to 1/16" (1,6mm)	●	●	●	●	●	●		●	●	



SUPRA XT SEHD Series
450 Amp
60% Duty Cycle, CO₂

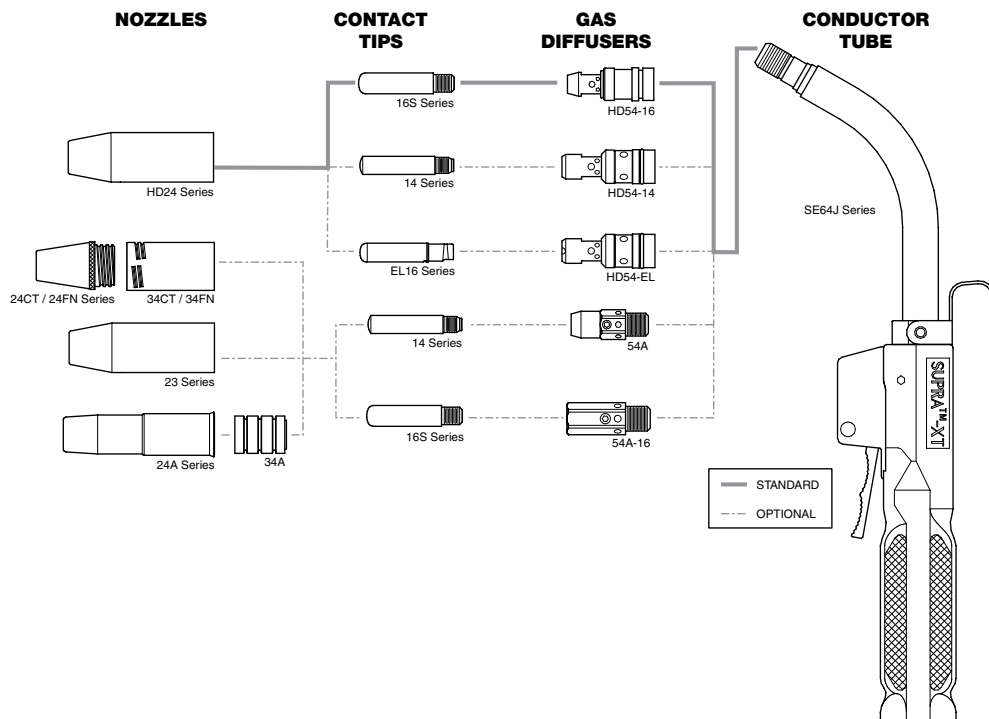
TWECO* STYLE REAR CONNECTOR			
Wire Size	Length	Part No.	Stock No.
Up To 1/16" (1,6mm)	15 ft. (5M)	SEHD400-5M1,6	1040-1332

LINCOLN† STYLE REAR CONNECTOR			
Wire Size	Length	Part No.	Stock No.
Up To 1/16" (1,6mm)	15 ft. (5M)	SEHD400L-5M1,6	1040-1432

MILLER STYLE REAR CONNECTOR			
Wire Size	Length	Part No.	Stock No.
Up To 1/16" (1,6mm)	15 ft. (5M)	SEHD400M-5M1,6	1040-1342

* Adapter kits are available to fit Tweco rear connection to most wire feeders.

† Fits Lincoln LN7, 8, 9, SP200 - Some Lincoln wire feeders are assembled with their K1500-2 gun receiving bushing that will accept Tweco style MIG guns direct from the factory. Control wire Part No. MS354-DSLJ (Stock No. 2060-2137) must be ordered separately.



Refer to Pages 86-101 for more complete detail on front end options. Refer to Pages 52-53 for Parts Breakdown information.

Miller is a registered trademark of Illinois Tool Works, Inc. Lincoln is a registered trademark of Lincoln Electric Co. The aforementioned registered trademarks are in no way affiliated with Tweco Products, Inc. Tweco is registered trademark of Thermadyne Industries, Inc.



SUPRA XT SEL Series 450 Amp 60% Duty Cycle, CO₂

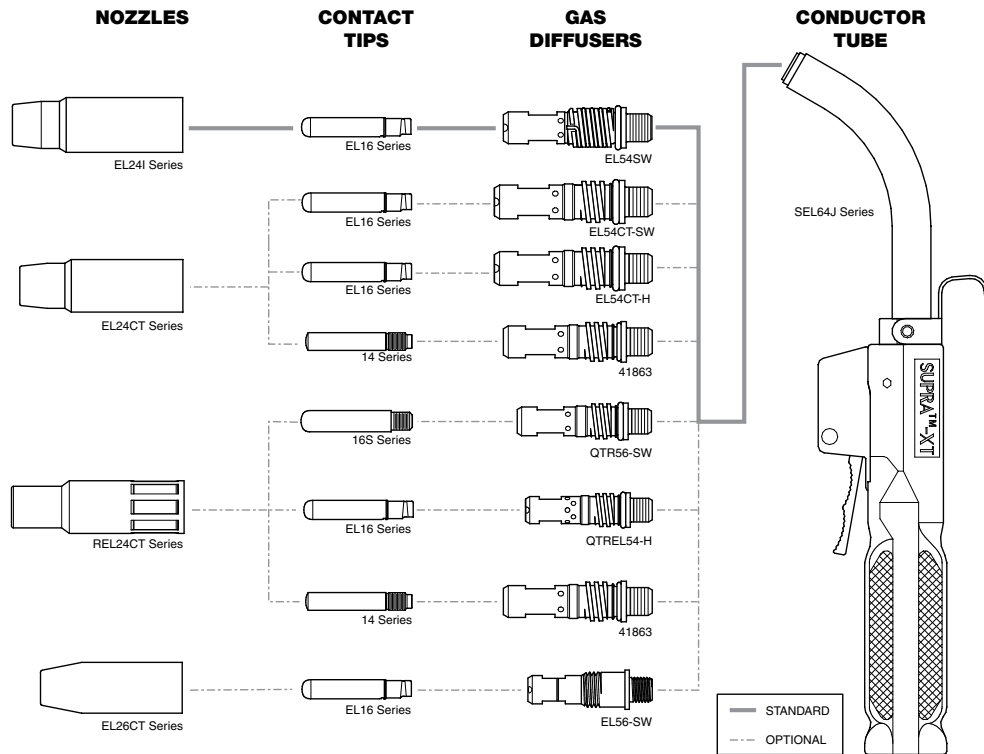
TWECO* STYLE REAR CONNECTOR			
Wire Size	Length	Part No.	Stock No.
Up To 1/16" (1,6mm)	15 ft. (5M)	SEL400-5M1,6	1040-1207

LINCOLN† STYLE REAR CONNECTOR			
Wire Size	Length	Part No.	Stock No.
Up To 1/16" (1,6mm)	15 ft. (5M)	SEL400L-5M1,6	1040-1242

MILLER STYLE REAR CONNECTOR			
Wire Size	Length	Part No.	Stock No.
Up To 1/16" (1,6mm)	15 ft. (5M)	SEL400M-5M1,6	1040-1217

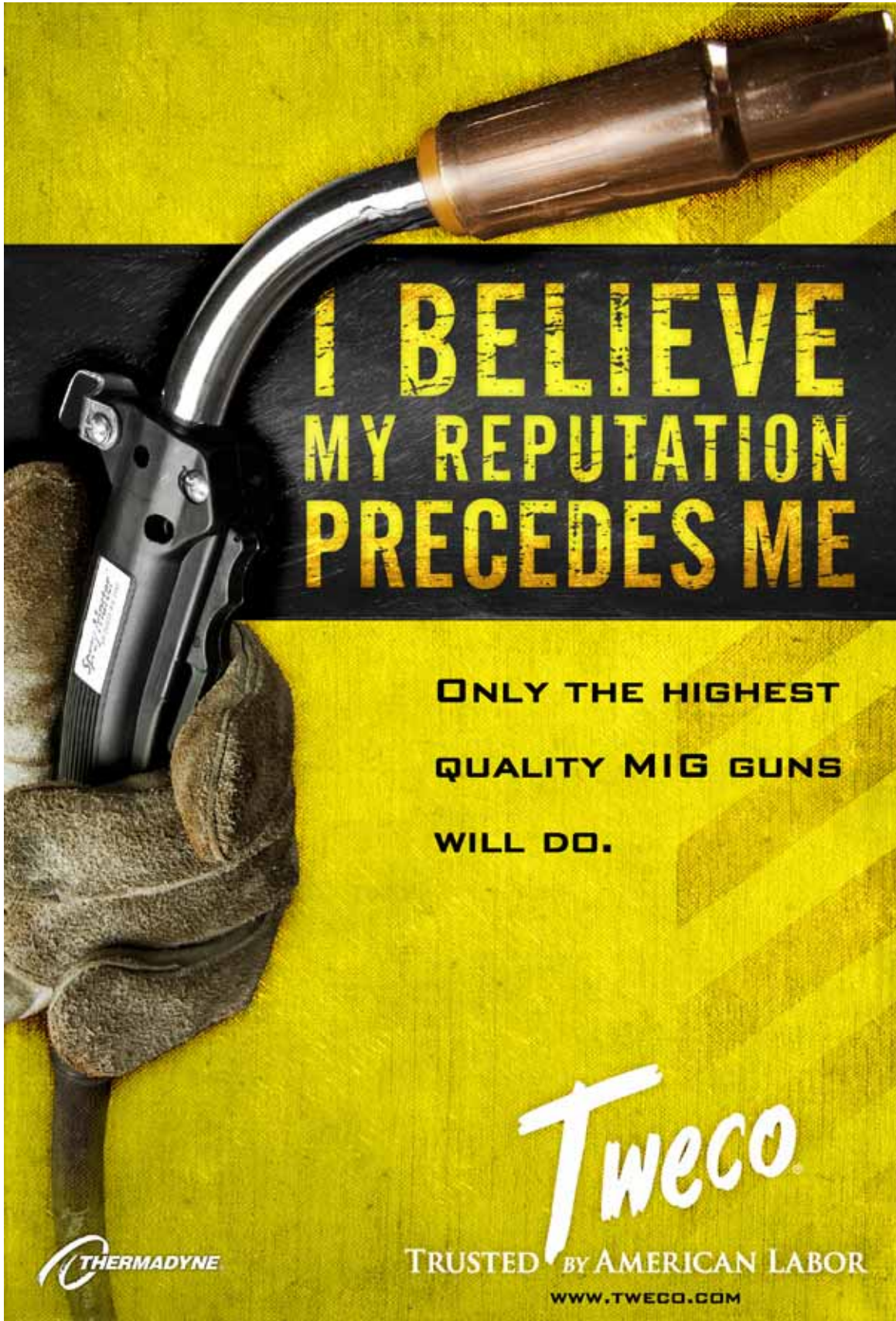
* Adapter kits are available to fit Tweco rear connection to most wire feeders.

† Fits Lincoln LN7, 8, 9, SP200 - Some Lincoln wire feeders are assembled with their K1500-2 gun receiving bushing that will accept Tweco style MIG guns direct from the factory. Control wire Part No. MS354-DSLJ (Stock No. 2060-2137) must be ordered separately.



Refer to Pages 86-101 for more complete detail on front end options. Refer to Pages 52-53 for Parts Breakdown information.

Miller is a registered trademark of Illinois Tool Works, Inc. Lincoln is a registered trademark of Lincoln Electric Co. The aforementioned registered trademarks are in no way affiliated with Tweco Products, Inc. Tweco is registered trademark of Thermadyne Industries, Inc.



**I BELIEVE
MY REPUTATION
PRECEDES ME**

**ONLY THE HIGHEST
QUALITY MIG GUNS
WILL DO.**

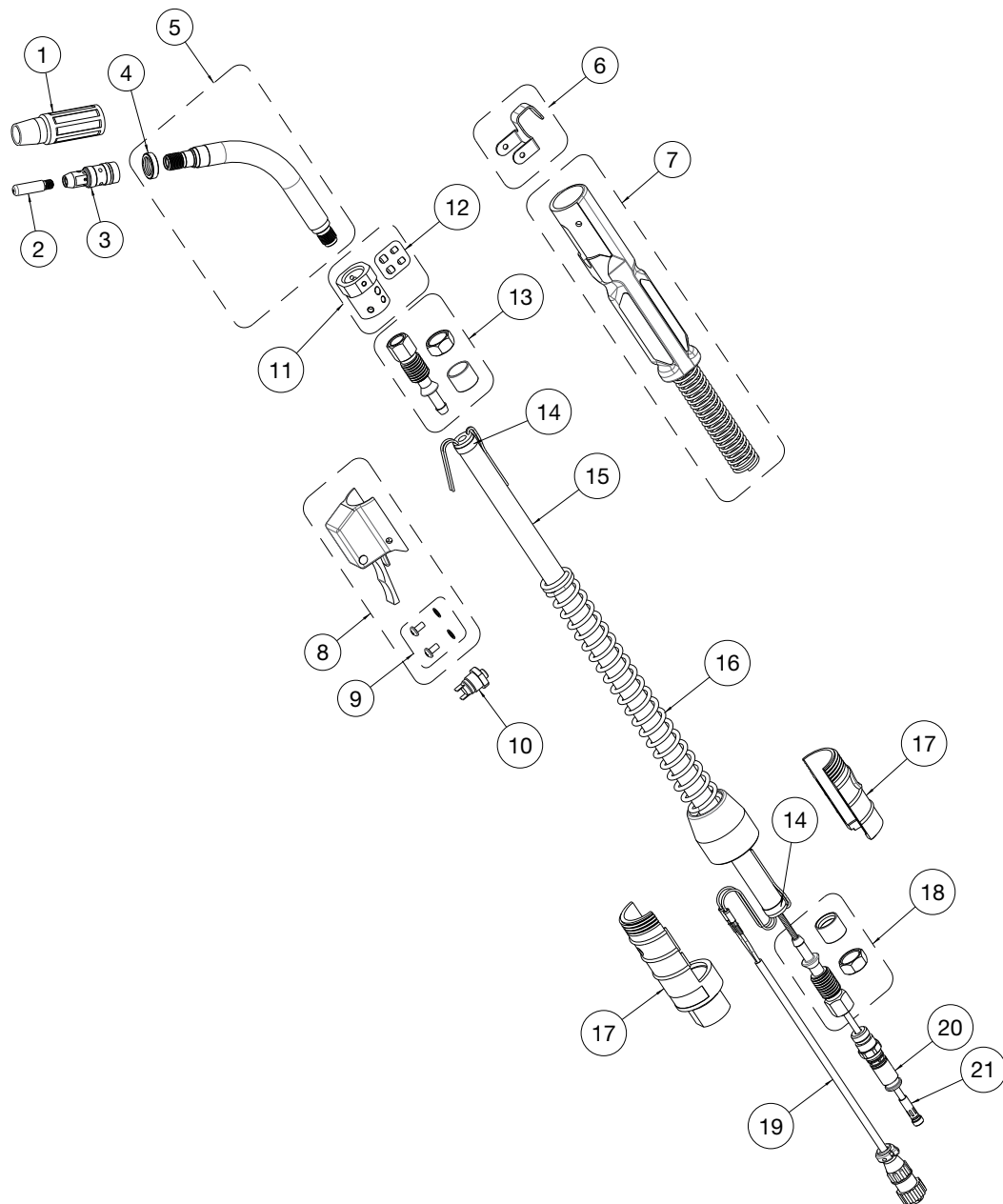
Tweco

TRUSTED BY AMERICAN LABOR

WWW.TWECO.COM

THERMADYNE

SUPRA XT Replacement Parts



SUPRA XT REPLACEMENT PARTS LIST		
#	DESCRIPTION	PART NO./STOCK NO.
1	Nozzles	Refer to Pages 91-99
2	Contact Tips	Refer to Pages 88-90
3	Diffusers	Refer to Pages 100-101
4	Nozzle Insulator	66J-3 1660-1836
5	Conductor Tubes	Refer to Pages 102-105
6	Gun Hanger	154 2040-2154
7	Handle Assembly	SE86-H 2060-2052
8	Trigger Assembly	SE96 2060-2056
9	Trigger Housing Screws	SE96-SW 2060-2055
10	Trigger Switch	SE96-B 2060-2054
11	Front Pivot Block Assembly	SE66 2060-2051
12	Pivot Block Set Screw	SE66-B 2060-2050
13	Front Cable Connector	SE104 2060-2057
14	Cable Clamp	136 2060-2690
15	Cablehoz	400 1740-2100
16	Rear Strain Relief Spring	235RSSR 2060-2035
17	Rear Case	C6RC 2060-2041
18	Rear Cable Connector	350-170HK 2035-2169
19	Control Wire	MS354-DSM 2060-2140
20	Connector Plug	Refer to Page 84
21	Conduit	Refer to Pages 106-108
NS	Protective Cable Wrap (50Ft/Box)	TCR50 9900-1150

SMOKE MASTER® FUME EXTRACTION MIG GUN SERIES

FEATURES & BENEFITS

Operator appeal and reduces operator fatigue

- ergonomic handle to reduce operator fatigue
- extended trigger length to reduce radiated heat
- low bench weight for easy to handle gun

MIG gun handle incorporates handle slide valve

- allows the operator to regulate vacuum on the MIG gun
- efficiently removes 90% of smoke from the welding zone

Field repairable

- replaceable Cablehoz® available
- spare trigger leads in Cablehoz

Rugged & durable power cable

- tough outer jacket made from leather protecting inner vacuum hose from weld spatter/abrasion
- proven abrasion & heat resistant Cablehoz
- 1-3/8" inside diameter PVC reinforced vacuum hose
- outer metal plated insulated smoke tube

Vacuum cools the front end consumables

- surrounding air is drawn over the front end consumables and conductor tube



Smoke Master MIG gun with Smoke Collection System, Part No. TSC96 (Stock No. 4500-1010)

MODEL	OUTPUT			PROCESS				STANDARD OPTIONS	APPLICATION		
	Current (Amps)	Duty Cycle Mixed Gas	Wire Diameter in. (mm)	MIG	Aluminum	Flux-Cored Gas Shielded	Flux-Cored Self Shielded	Rear Connector	Light Duty Fab	Medium Duty Fab	Heavy Duty Fab
Smoke Master 250	250	60%	Up to .045" (1,2mm)	●	●	●	●	●	●		
Smoke Master 450	450	60%	Up to 1/16" (1,6mm)	●	●	●	●	●		●	

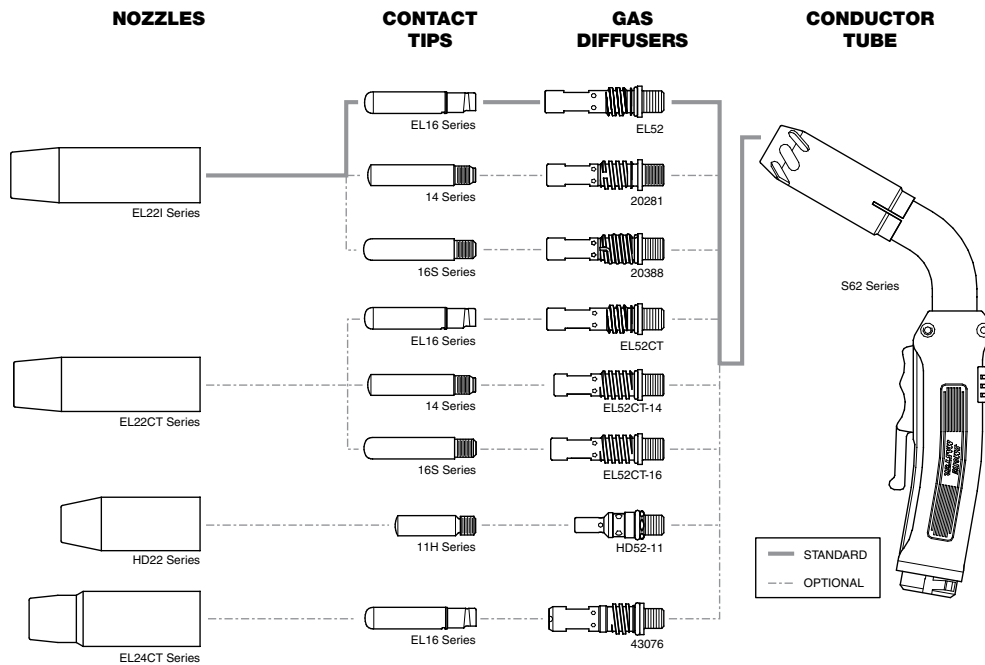


Smoke Master®
250 Amp
60% Duty Cycle, CO₂

TWECO* STYLE REAR CONNECTOR			
Wire Size	Length	Part No.	Stock No.
Up To .045" (1,2mm)	12 ft. (4M)	S212-4045	1026-1101
	15 ft. (5M)	S215-4045	1026-1102

MILLER STYLE REAR CONNECTOR			
Wire Size	Length	Part No.	Stock No.
Up To .045" (1,2mm)	12 ft. (4M)	S212M-4045	1026-1106
	15 ft. (5M)	S215M-4045	1026-1107

* Adapter kits are available to fit Tweco rear connection to most wire feeders.



Refer to Pages 86-101 for more complete detail on front end options. Refer to Page 58-59 for Parts Breakdown information.

Miller is a registered trademark of Illinois Tool Works, Inc. The aforementioned registered trademarks are in no way affiliated with Tweco Products, Inc. Tweco is registered trademark of Thermadyne Industries, Inc.

Smoke Master® 450 Amp 60% Duty Cycle, CO₂

MILLER STYLE REAR CONNECTOR

Wire Size	Length	Part No.	Stock No.
Up To 1/16" (1,6mm)	12 ft. (4M)	S412M-116	1046-1125
	15 ft. (5M)	S415M-116	1046-1128

TWECO* STYLE REAR CONNECTOR

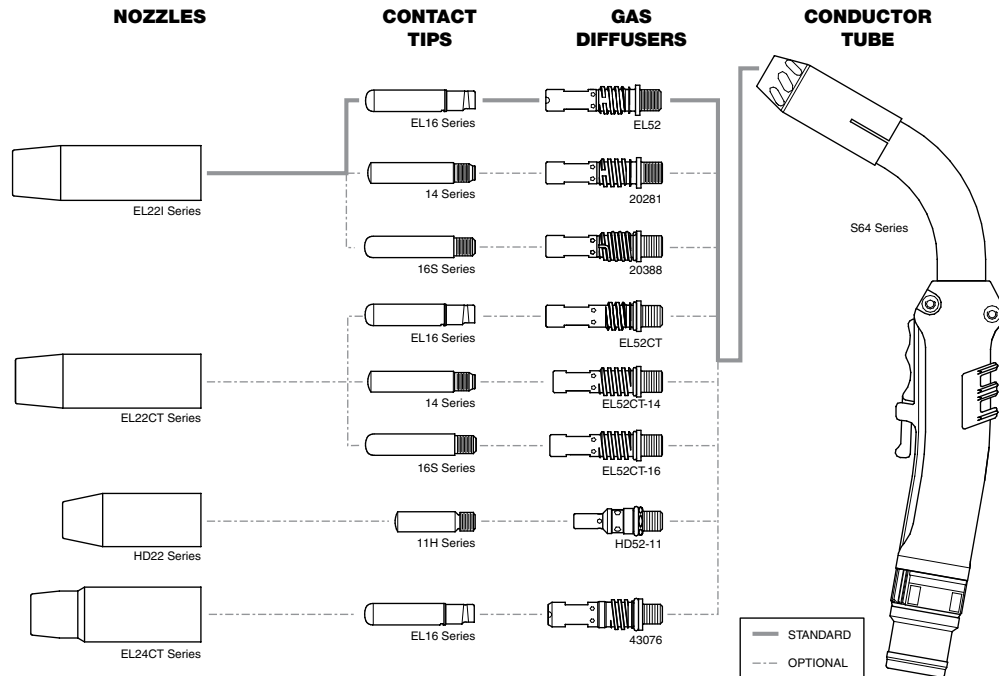
Wire Size	Length	Part No.	Stock No.
Up To 1/16" (1,6mm)	12 ft. (4M)	S412-116	1046-1105
	15 ft. (5M)	S415-116	1046-1108

LINCOLN† STYLE REAR CONNECTOR

Wire Size	Length	Part No.	Stock No.
Up To 1/16" (1,6mm)	15 ft. (5M)	S415L-116	1046-1138

* Adapter kits are available to fit Tweco rear connection to most wire feeders.

† Fits Lincoln LN7, 8, 9, SP200 - Some Lincoln wire feeders are assembled with their K1500-2 gun receiving bushing that will accept Tweco style MIG guns direct from the factory. Control wire Part No. MS354-DSLJ (Stock No. 2060-2137) must be ordered separately.



Refer to Pages 86-101 for more complete detail on front end options. Refer to Pages 58-59 for Parts Breakdown information.



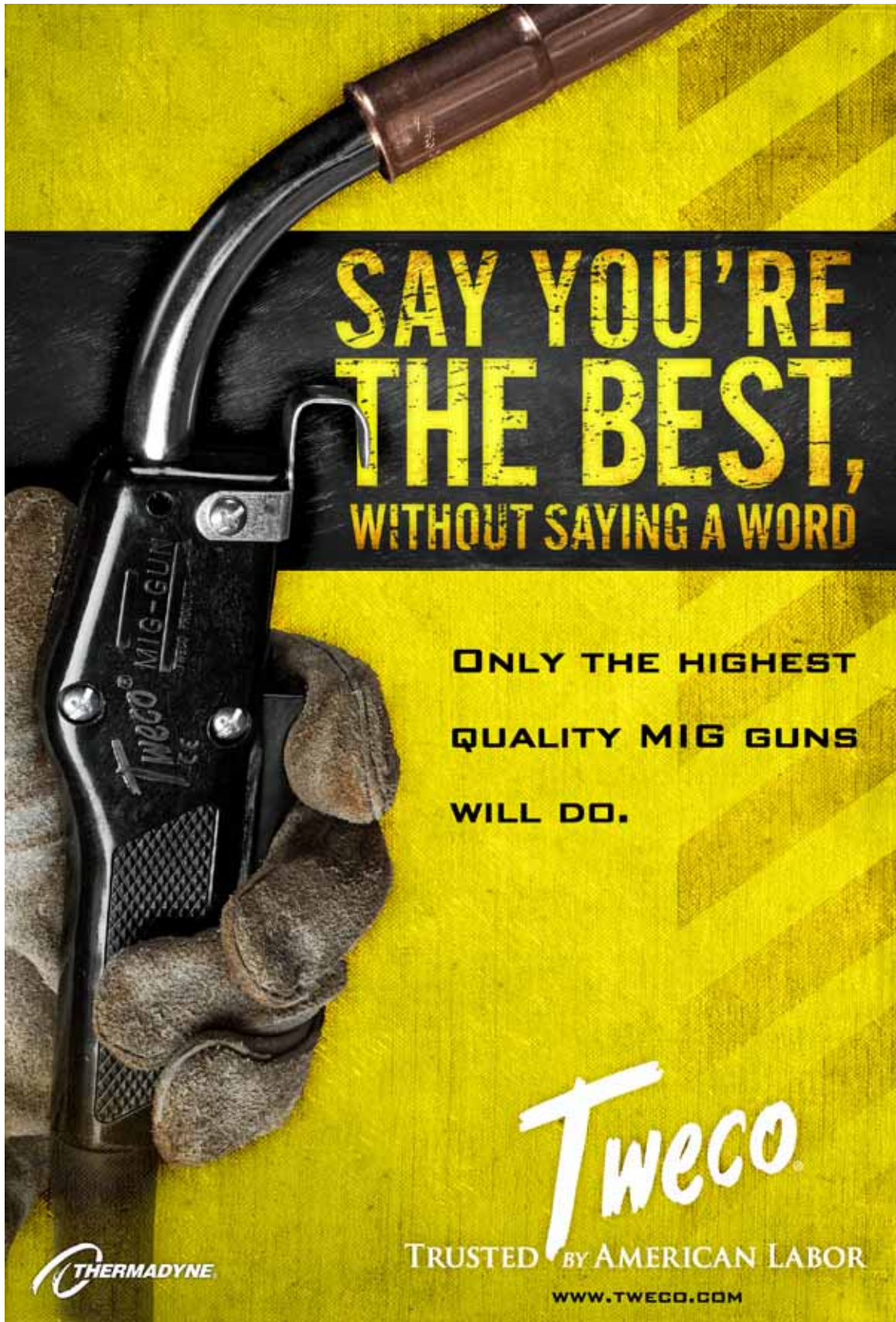
Tweco Smoke Collector

Fume Removal System

- Compatible with Tweco Smoke Master MIG Guns
- Efficiently removes welding fumes
- High efficiency filter
- Separately air-cooled motor
- Automatic start-stop function standard

Description	(PART NO. / STOCK NO.)
120V, 60Hz	TSC-96 4500-1010

Miller is a registered trademark of Illinois Tool Works, Inc. Lincoln is a registered trademark of Lincoln Electric Co. The aforementioned registered trademarks are in no way affiliated with Tweco Products, Inc. Tweco is registered trademark of Thermadyne Industries, Inc.




**SAY YOU'RE
THE BEST,
WITHOUT SAYING A WORD**

**ONLY THE HIGHEST
QUALITY MIG GUNS
WILL DO.**

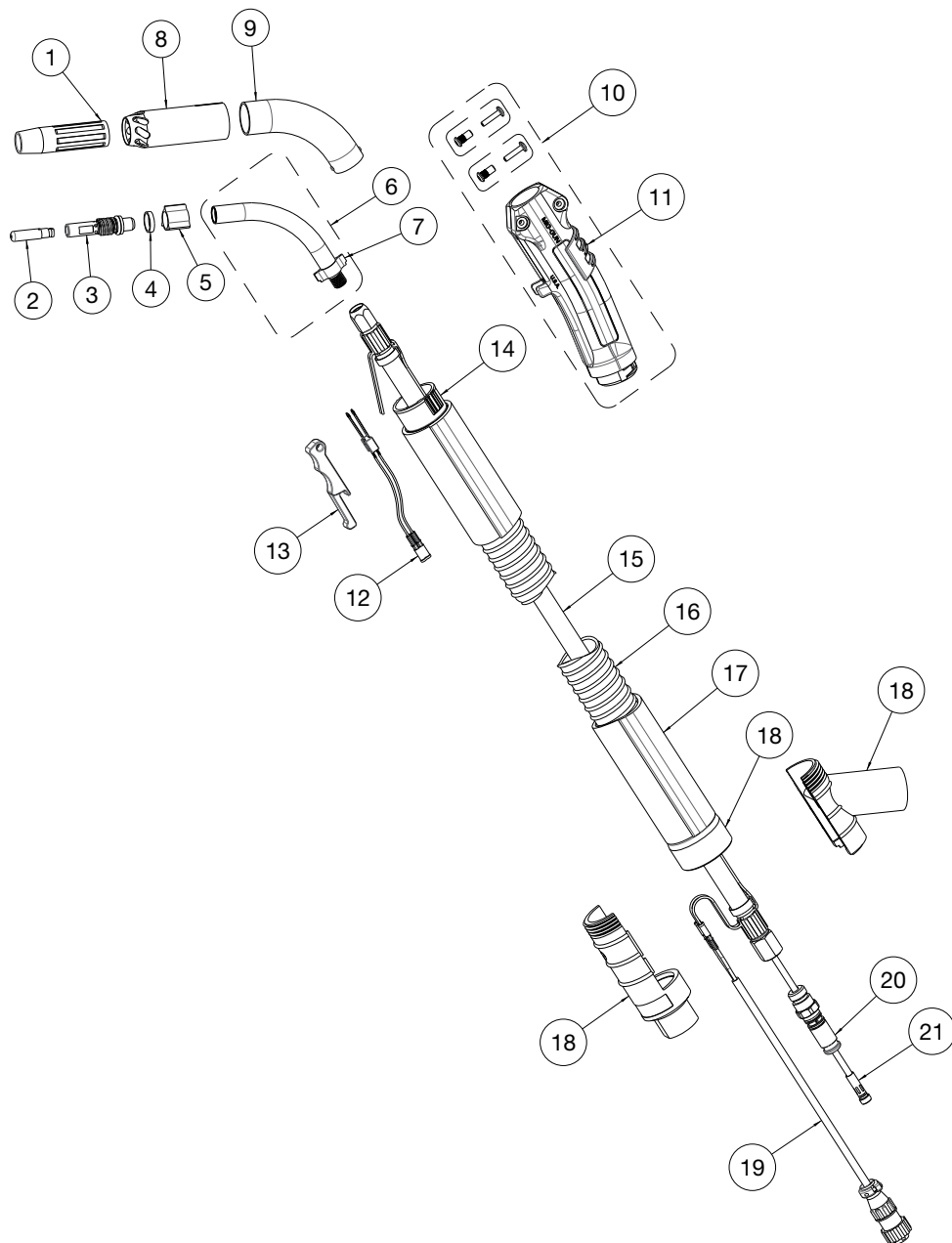
Tweco

TRUSTED BY AMERICAN LABOR

WWW.TWECO.COM

 THERMADYNE

Smoke Master® Replacement Parts



**AIR-COOLED SMOKE MASTER® 250 & 450 AMP MIG GUN
REPLACEMENT PARTS LIST**

#	DESCRIPTION	250 AMP	450 AMP
1	Nozzles	Refer to Pages 91-99	
2	Contact Tips	Refer to Pages 88-90	
3	Diffuser (Slip-On)	EL52 1560-1110	
	Diffuser (Course Thread)	EL52CT 1560-1109	
4	Insulator Spacer	S62-60-2 2020-2013	S64-R 1046-2223
5	Smoke Tube Spacer	S62-60-2 2020-2013	S64-1 1046-2273
6	Conductor Tube (60 Degree, Standard)	S62-60 2020-2006	S64-60 1046-2258
	Conductor Tube (45 Degree, Standard)	S62-45 2020-2011	N/A
7	Handle Spacer	N/A	S64-2 1046-2271
8	Smoke Nozzle (Standard)	S22-62L 2020-2010	S24-62 1046-2225
	Smoke Nozzle (High Volume)	N/A	S24-62HV 1046-2226
9	Smoke Tube (60 Degree, Standard)	S62T-60 2020-2001	S64T-60 1046-2240
	Smoke Tube (45 Degree)	S62T-45 2020-2012	N/A
10	Handle Assembly	S82 2020-2003	S86 1046-2250
11	Handle Valve	S82-V 2020-2004	S86-V 1046-2252
12	Trigger Blade Assembly	ELC94-BL 2060-2671	
13	Trigger	ELC94 2060-2647	EL96 2060-2605
14	Swivel Cap Assembly	S82-C 2020-2005	S86-C 1046-2254
15	Cablehoz Assembly, 12 FT (4M)	S212 2020-2008	S412 1046-2203
	Cablehoz Assembly, 15 FT (5M)	S215 2020-2009	S415 1046-2206
16	Smoke Hose, 12 FT (4M)	S412-H 1046-2214	
	Smoke Hose, 15 FT (5M)	S415-H 1046-2217	
17	Leather Jacket, 12 FT (4M)	SHP-12 1046-2267	
	Leather Jacket, 15 FT (5M)	SHP-15 1046-2268	
18	Rear Case Assembly	ST6RC 1046-2256	
19	Control Wire	MS354-DSM 2060-2140	
20	Connector Plug	Refer to Page 84	
21	Conduit	Refer to Pages 106-108	

FLUXCORED MIG GUN SERIES

FEATURES & BENEFITS

Field repairable

- spare trigger leads in Cablehoz®

Durable & dependable

- heavy-duty design
- high impact resistant one-piece “straight” handle
- heavy-duty front end consumables

Micro-switch trigger design

- incorporates a button style switch for start/stop wire feed
- metal “paddle” style trigger lever
- can be used as top or bottom trigger

Rugged & durable power cable

- proven abrasion & heat resistant Cablehoz

Wide welding applications

- for use with all gasless wires



SEFC Series – 450 Amp

MODEL	OUTPUT			PROCESS		STANDARD OPTIONS	APPLICATION	
	Current (Amps)	Duty Cycle Mixed Gas	Wire Diameter in. (mm)	Flux-Cored Gas Shielded	Flux-Cored Self Shielded	Rear Connector	Medium Duty Fab	Heavy Duty Fab
SEFC Series 350	350	60%	Up to 3/32" (2,4mm)	●	●	●	●	
SEFC Series 450	450	60%	Up to 1/8" (3,2mm)	●	●	●		●



**FLUXCORED "SEFC"
350 Amp
60% Duty Cycle, CO₂**

TWECO* STYLE REAR CONNECTOR			
Wire Size	Length	Part No.	Stock No.
Up To 3/32" (2,4mm)	10 ft. (3M)	SEFC350T-10	1031-1642
	15 ft. (5M)	SEFC350T-15	1031-1643

LINCOLN† STYLE REAR CONNECTOR			
Wire Size	Length	Part No.	Stock No.
Up To 3/32" (2,4mm)	10 ft. (3M)	SEFC350-10	1031-1632
	15 ft. (5M)	SEFC350-15	1031-1633

MILLER STYLE REAR CONNECTOR			
Wire Size	Length	Part No.	Stock No.
Up To 3/32" (2,4mm)	10 ft. (3M)	SEFC350M-10	1031-1637
	15 ft. (5M)	SEFC350M-15	1031-1638

**FLUXCORED "SEFC"
450 Amp
60% Duty Cycle, CO₂**

MILLER STYLE REAR CONNECTOR			
Wire Size	Length	Part No.	Stock No.
Up To 1/8" (3,2mm)	15 ft. (5M)	SEFC450M-15	1041-1139

TWECO* STYLE REAR CONNECTOR			
Wire Size	Length	Part No.	Stock No.
Up To 1/8" (3,2mm)	15 ft. (5M)	SEFC450T-15	1041-1120

LINCOLN† STYLE REAR CONNECTOR			
Wire Size	Length	Part No.	Stock No.
Up To 1/8" (3,2mm)	15 ft. (5M)	SEFC450-15	1041-1113

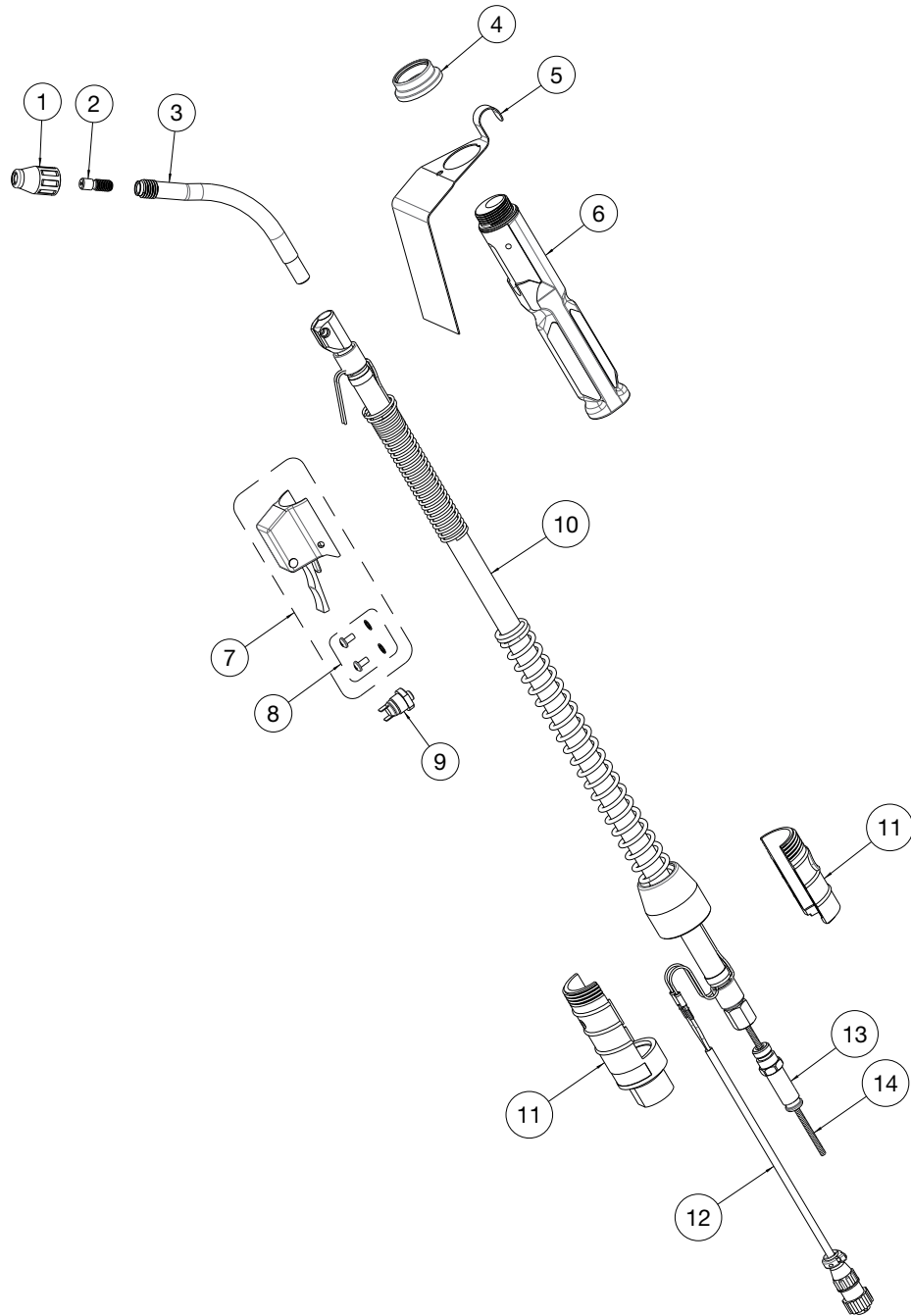
* Adapter kits are available to fit Tweco rear connection to most wire feeders.

† Fits Lincoln LN7, 8, 9, SP200 - Some Lincoln wire feeders are assembled with their K1500-2 gun receiving bushing that will accept Tweco style MIG guns direct from the factory. Control wire Part No. MS354-DSLJ (Stock No. 2060-2137) must be ordered separately.

CONSUMABLE PARTS						
Contact Tip	Wire Size					
	.045 (1,2mm)	.068 (1,72mm)	5/64 (2,0mm)	3/32 (2,4mm)	7/64 (2,8mm)	1/8 (3,2mm)
350 Amp	14FC-045 1140-1125	14FC-068 1140-1126	14FC-564 1140-1127	14FC-332 1140-1128	N/A	N/A
450 Amp	N/A	N/A	16FC-564 1160-1125	N/A	16FC-764 1160-1127	16FC-120 1160-1128
Insulated Guide Nozzle	Stickout Size			Thread Protector		
	3/4" (19MM)		1-1/2" (38MM)			
350 Amp	24FC-150 1241-1027		24FC-275 1241-1026		24FC-P 1241-1025	
450 Amp	26FC-150 1261-1026		26FC-275 1261-1027		26FC-P 1261-1025	
	Conduit					
	15 Ft (5M)					
350 Amp 5/64-3/32 (2,0-2,4mm) Wire	43FC-332-15 1440-1031					
450 Amp 5/64-3/32 (2,0-2,4mm) Wire	44FC-332-15 1440-1034					
450 Amp 7/64-1/8 (2,8-3,2mm) Wire	44FC-18-15 1440-1036					

Miller is a registered trademark of Illinois Tool Works, Inc. Lincoln is a registered trademark of Lincoln Electric Co. The aforementioned registered trademarks are in no way affiliated with Tweco Products, Inc. Tweco is registered trademark of Thermadyne Industries, Inc.

FLUXCORED Replacement Parts



FLUXCORED MIG GUNS 350 & 450 AMP REPLACEMENT PARTS LIST			
#	DESCRIPTION	350 AMP	450 AMP
1	Insulated Guide (3/4" Stickout)	24FC-150 1241-1027	26FC-150 1261-1026
	Insulated Guide (1-1/2" Stickout)	24FC-275 1241-1026	26FC-275 1261-1027
	Thread Protector	24FC-P 1241-1025	26FC-P 1261-1025
2	Contact Tip .045" (1,2mm)	14FC-045 1140-1125	N/A
	Contact Tip .068" (1,72mm)	14FC-068 1140-1126	N/A
	Contact Tip 5/64" (2,0mm)	14FC-564 1140-1127	16FC-564 1160-1125
	Contact Tip 3/32" (2,4mm)	14FC-332 1140-1128	N/A
	Contact Tip 7/64" (2,8mm)	N/A	16FC-764 1160-1127
	Contact Tip 1/8" (3,2mm)	N/A	16FC-120 1160-1128
3	Conductor Tube (60 Degree, Standard)	64FC-60 1641-1127	66FC-60 1661-1127
	Conductor Tube (45 Degree)	64FC-45 1641-1126	66FC-45 1661-1126
	Conductor Tube (180 Degree, Straight)	N/A	66FC-180 1661-1129
4	Heat Shield Nut	SE86FC-R2 2060-2065	
5	Heat Shield	156W-HS 2062-2157	
6	Handle	SE86FC-H 2060-2063	
7	Trigger Assembly	SE96 2060-2056	
8	Trigger Housing Screw	SE96-SW 2060-2055	
9	Trigger Switch	SE96-B 2060-2054	
10	Cablehoz Assembly, 10 FT (3M)	N/A	SEFC450-10C 1741-2125
	Cablehoz Assembly, 15 FT (5M)	SEFC350-15C 1730-2043	SEFC450-15C 1741-2126
11	Rear Case	C6RC 2060-2041	
12	Control Wire	MS354-DSM 2060-2140	
13	Connector Plug (Tweco)	FC350-174H 2061-2115	FC450-174H 2061-2116
	Connector Plug (Miller)	FC350-174MH 2061-2117	FC450-174MH 2061-2118
	Connector Plug (Lincoln)	173FCH 2041-2131	176FCH 2041-2132
14	Conduit, 10 FT (3M) 3/32" (2,4mm)	43FC-332-10 1440-1030	N/A
	Conduit, 15 FT (5M) 3/32" (2,4mm)	43FC-332-15 1440-1031	44FC-332-15 1440-1034
	Conduit, 10 FT (3M) 1/8" (3,2mm)	N/A	44FC-18-10 1440-1035
	Conduit, 15 FT (3M) 1/8" (3,2mm)	N/A	44FC-18-15 1440-1036
NS	Protective Cable Wrap (50Ft/Box)	TCR50 9900-1150	

ELIMINATOR® SPOOL GUN

FEATURES & BENEFITS

Excellent service and ease of operation

- ideal for aluminum, stainless steel and mild steel welding
- holds standard 4" (102mm) diameter spools
- long cables allow operator to access hard to weld areas

Comfortable handle design

- pistol grip
- with outer spool tension control
- 3-turn potentiometer for fine wire feed speed control

Quick disconnect conductor tube

- three layer conductor tube construction (copper tube/silicon-resin glass insulator/metal jacket)
- standard straight (180°) conductor tube
- optional 30° rigid conductor tube or Knucklehead™ flexible conductor tube

Rugged & durable

- incorporates the Cablehoz® used on other Tweco MIG guns

Adapts to most welding machines

- with the use of Control Box Part No. ESG-1 (Stock No. 1028-1295)
- control box provides the gas solenoid with pre/post purge control and run in control for arc starting

Improved performance with patented contact tip

- no threads



CONTROL BOX - Part No. ESG-1 (Stock No. 1028-1295)
Requires Jumper Cord, Part No. SSG300-106JC
(Stock No. 2031-2150)

MODEL	OUTPUT		WIRE DIAMETER in. (mm)	PROCESS		STANDARD OPTIONS	APPLICATION	
	Current (Amps)	Duty Cycle Mixed Gas		MIG	Aluminum	Rear Connector	Light Duty Fab	Medium Duty Fab
Eliminator Spool Gun 300	300	60%	Up to 1/16" (1.6mm)	●	●	●	●	●

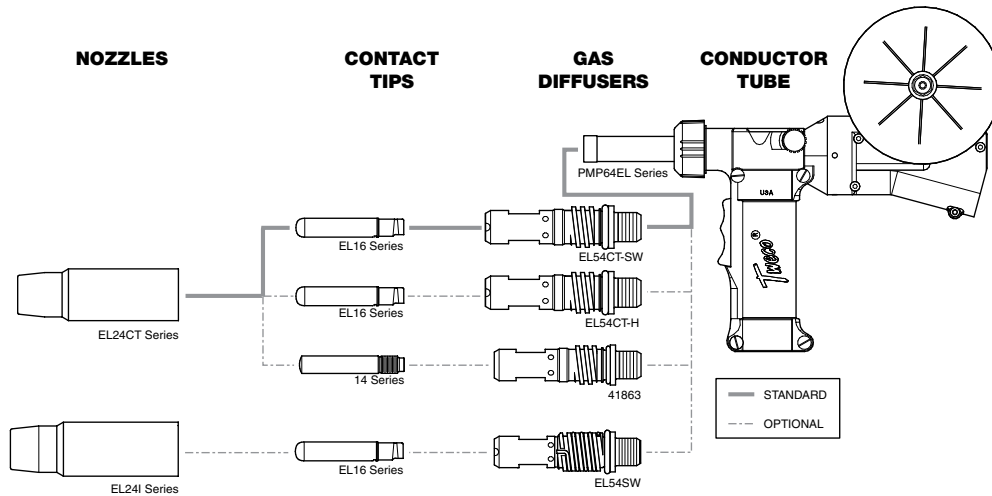


Eliminator® Spool Gun
300 Amp
60% Duty Cycle, CO₂

TWECO* STYLE REAR CONNECTOR

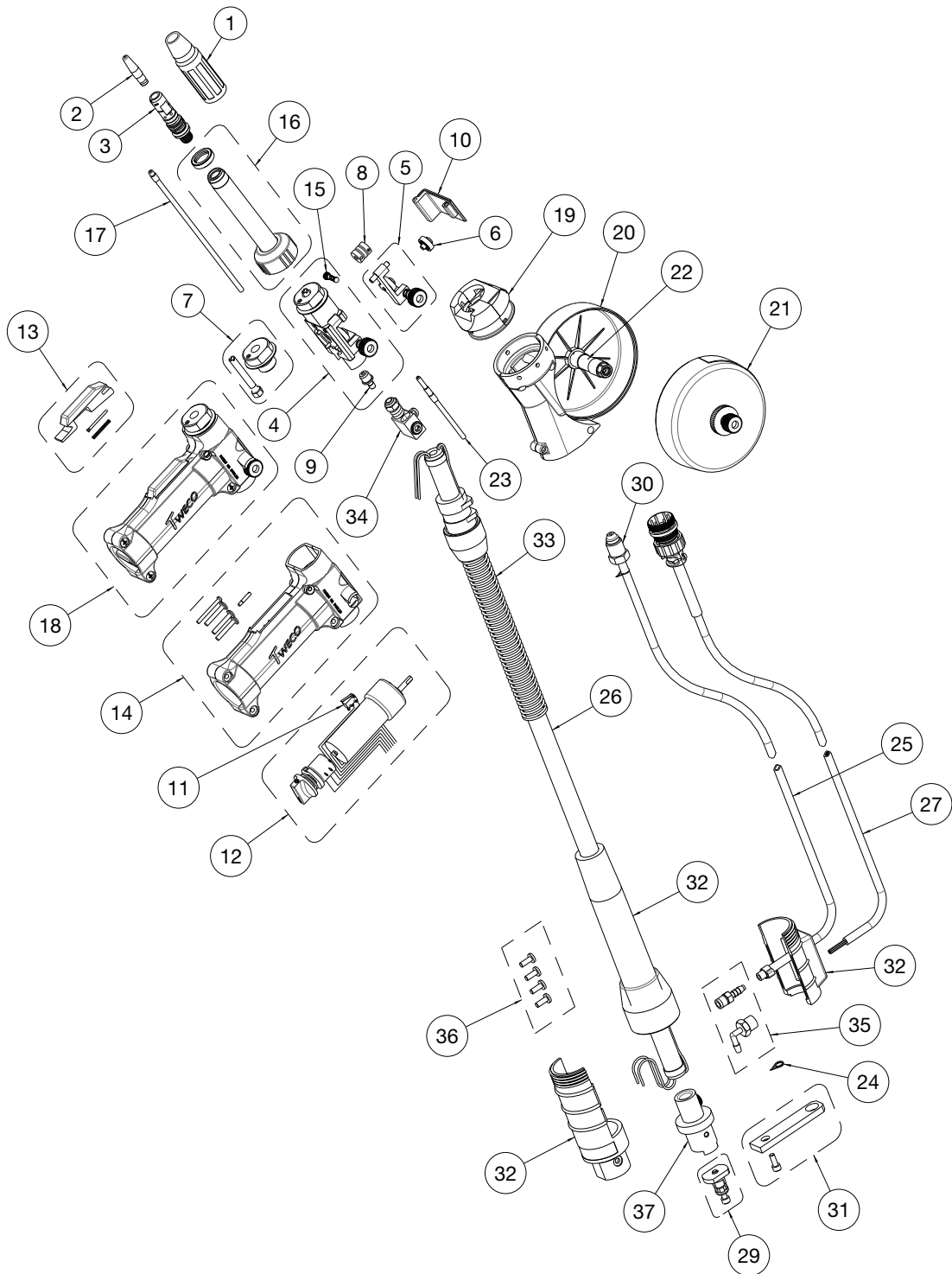
Wire Size	Length	Part No.	Stock No.
Up to 1/16" (1.6mm)	25 ft. (8M)	SSG225-3545	1027-1370
	50 ft. (15M)	SSG250-3545	1027-1371

* Requires the use of the ESG-1 (Stock No. 1028-1295) Control Box for most welding machines
When using the Eliminator Spool Gun with Thermal Arc ArcMaster MST Series machines, use Thermal Arc SGI100 Spool Gun Interface Box, Part No. W4009115



Refer to Pages 86-101 for more complete detail on front end options. Refer to Pages 66-67 for Parts Breakdown information.

Eliminator[®] Spool Gun Replacement Parts



ELIMINATOR® SPOOL MIG GUN REPLACEMENT PARTS LIST

#	DESCRIPTION	PART NO./STOCK NO.	#	DESCRIPTION	PART NO./STOCK NO.
1	Nozzle	Refer to Pages 91-99	18	Spool Gun Assembly W/O Cable & Support	SSG300G 2031-2117
2	Contact Tip	Refer to Pages 88-90	19	Pivot Assembly	ESG186 2025-2397
3	Diffuser	Refer to Pages 100-101	20	Spool Canister Assembly	ESG186S 2025-1392
4	Head Block Assembly	SPG103 2031-2100	21	Spool Cover Assembly	ESG186C 2025-2393
5	Pressure Arm Assembly	SPG103-1 2060-1727	22	Friction Tube Replacement (5 PC)	ESG186S-3 2025-2385
6	Idler Bearing Assembly	SPG103-8 2060-1728	23	Conduit Assembly	ESG44TF-116 2025-2394
7	Adapter Nut & Wire Guide	EPG66-N 2031-2096	24	Wire Tie	BG-53N04 8040-1998
8a	Drive Roll (0.8MM/0.030" Wire)	EPG103-2-0,8 2031-2091	25	Gas Hose Assembly F/SSG Spool Gun	SSG3003GH 2060-2741
8b	Drive Roll (0.9MM/0.035" Wire)	EPG103-2-0,9 2031-2077	26a	Extruded Spool Gun Cablehoz, 25 Ft. Long	SSG30025 2060-2742
8c	Drive Roll (1.0MM/0.040" Wire)	EPG103-2-1,0 2031-2023	26b	Extruded Spool Gun Cablehoz, 50 Ft. Long	SSG30050 2060-2743
8d	Drive Roll (1.2MM/5/64" Wire) Standard	EPG103-2-1,2 2031-2003	27	10 Pin Control Cable Assembly F/SSG Spool Gun	SSG300CW 2060-2744
8e	Drive Roll (1.6MM/1/16" Wire)	EPG103-2-1,6 2031-2022	28	Hex Wrench Set	ESG-HW 2031-2088
9	Gas Nipple & Wire Tie	EPG-FGN 2031-2082	29	25MM Dinse Connector	SSG-DINS25 2035-2186
10	Handle Cover Assembly	EPG86-2 2031-2013	30	Rear Gas Nipple	EPG-RGN 2031-2083
11	Trigger Switch	ESG90 2025-2399	31	Straight Lug	ESG-172SL 2031-2110
12	Motor Assembly (24VAC)	SSGM24 2031-2101	32	Rear Case Sub-Assembly	SSGT6RC 2031-2111
13	Trigger Lever	SPG-96TL 2060-2733	33	Front Strain Relief Assembly	SPG146R 2031-2112
14	Handle Sub-Assembly	SSG86 2060-2739	34	Cable Connector Assembly	SPG102 2031-2113
15	Poppet Valve Assembly	PMP-PV 2060-2737	35	Hose Barb Connector	ESG6RCUGN 2031-2114
16a	Conductor Tube 30 Degree	PMP64EL30 1642-1141	36	10-24 X 1/2" BH Plastic Screw	SSG172PS 2031-2115
16b	Conductor Tube 180 Degree	PMP64EL180 1642-1140	37	Rear Power Connector	ESG172 2031-2116
16c	Flexible Conductor Tube	PMP64SFLX360 1642-1142	NS	Protective Cable Wrap (50Ft/Box)	TCR50 9900-1150
17a	Jump Liner	PMP44PTF116 1644-1096			
17b	Jump Liner Teflon	PMP-44FLX-116 1644-1095			
17c	Jump Liner Copper	PMP-44-116 1644-1097			

PULLMASTER™ MIG GUN SERIES

FEATURES & BENEFITS

Excellent service and ease of operation

- ideal for aluminum, stainless steel and mild steel welding
- “smart” capability with one-touch digital control to adjust primary parameters such as welding current, material thickness, wire feed speed or arc length trim

Comfortable handle design

- pistol grip

Quick disconnect conductor tube

- three layer conductor tube construction (copper tube/silicon-resin glass insulator/metal jacket)
- standard straight (180°) conductor tube
- optional 30° rigid conductor tube or Knucklehead™ flexible conductor tube

Rugged & durable

- incorporates the Cablehoz® used on other Tweco MIG guns

Improved performance with longer life consumables

- heavy duty contact tips in high heat applications
- gun drilled contact tips for exceptionally smooth surface for improved feed-ability, consistency and longer tip life



Tweco PullMaster Smart MIG Gun with digital display - use with Thermal Arc SP machines only

Tweco PullMaster Standard MIG Gun



CONTROL BOX - Part No. EPG-CR2 (Stock No. 1028-1291)
Used to connect **standard PullMaster** to most welding machines and requires Jumper Cord - Part No. PMP354T (Stock No. 2031-2145)

MODEL	OUTPUT			PROCESS		STANDARD OPTIONS	APPLICATION	
	Current (Amps)	Duty Cycle Mixed Gas	Wire Diameter in. (mm)	MIG	Aluminum	Rear Connector	Light Duty Fab	Medium Duty Fab
PullMaster 300	300	60%	Up to 1/16" (1,6mm)	●	●	●	●	●

PullMaster™ Air-Cooled MIG Gun

300 Amp

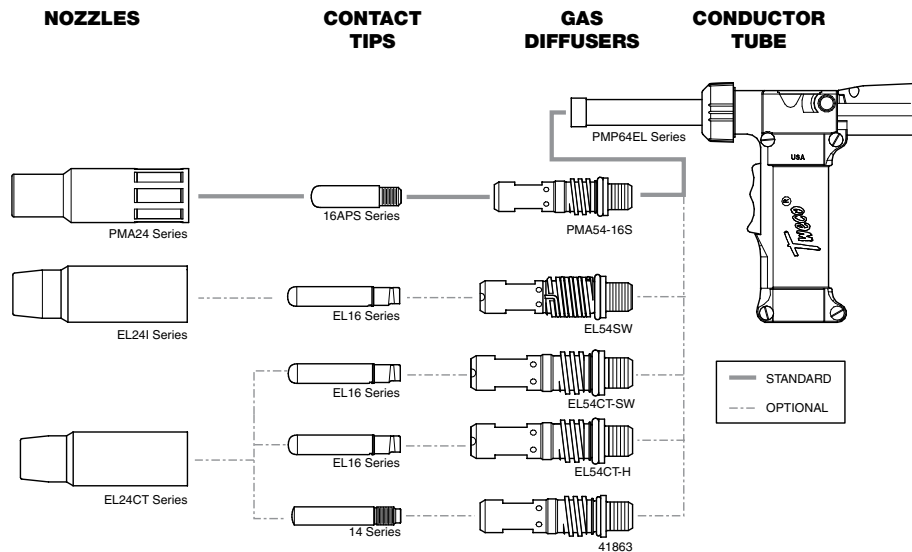
60% Duty Cycle, CO₂

STANDARD - TWECO* STYLE REAR CONNECTOR			
Wire Size	Length	Part No.	Stock No.
Up to 1/16" (1,6mm)	33 ft. (10,1M)	PMP333-3545	1027-1401
	50 ft. (15,2M)	PMP350-3545	1027-1402

SMART - TWECO STYLE REAR CONNECTOR			
Wire Size	Length	Part No.	Stock No.
Up to 1/16" (1,6mm)	33 ft. (10,1M)	PMP333-3545	1027-1407
	50 ft. (15,2M)	PMP350-3545	1027-1408

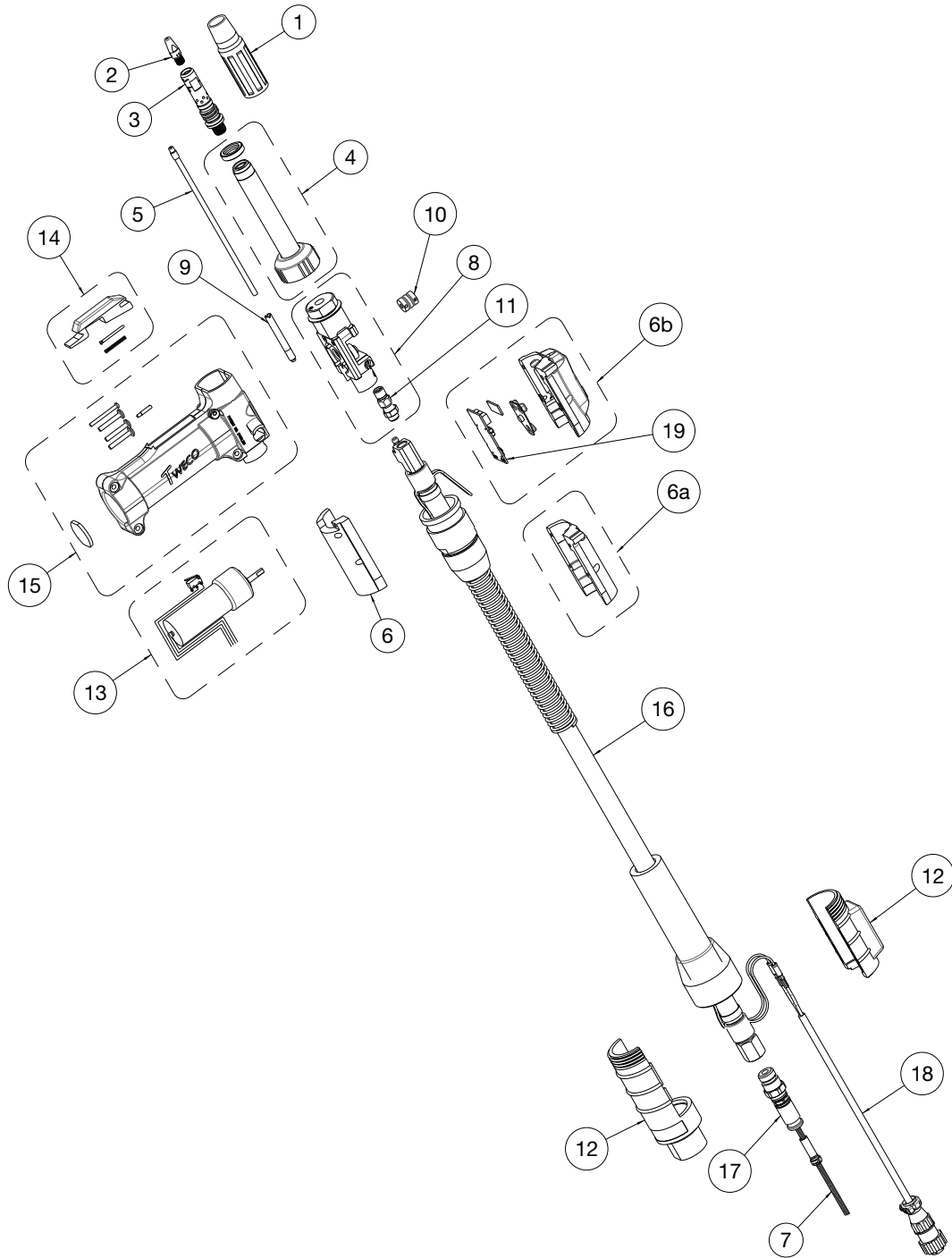
Note: The PullMaster "Smart" MIG Guns are used only with the Thermal Arc PowerMaster SP machines.

* Adapter kits are available to fit Tweco rear connection to most wire feeders.



Refer to Pages 86-101 for more complete detail on front end options. Refer to Pages 70-71 for Parts Breakdown information.

PullMaster™ Air-Cooled Replacement Parts



PULLMASTER™ AIR-COOLED MIG GUN REPLACEMENT PARTS LIST

#	DESCRIPTION	PART NO./STOCK NO.	#	DESCRIPTION	PART NO./STOCK NO.
1	Nozzle	Refer to Pages 91-99	11	Power Cable Connector Assembly	SPG-RWG 2031-2137
2	Contact Tip	Refer to Pages 88-90	NS	Handle Cover Assembly	EPG86-2 2031-2013
3	Diffuser	PMA54-16S 1543-1106	12	Rear Case Assembly	PMP-T6RC 2060-2731
4	Conductor Tube	Refer to Pages 102-105	13	Motor Assembly (24VDC)	PMP-M24 2060-2732
5	Teflon Jump Liner f/flex Tube	PMP-44FLX-116 1644-1095	14	Trigger Lever	SPG-96TL 2060-2733
	Teflon Jump Liner f/rigid Tubes	PMP-44PTF-116 1644-1096	15	Handle Assembly	SPG86 2060-2734
	Bronze Jump Liner For Steel Wires (Rigid Tubes)	PMP-44-116 1644-1097	16	Cablehoz Assembly 33' (10M) Standard	PMP300-33 2060-2750
Support Assembly Front (Std)	EPG186 2031-2046	Cablehoz Assembly 50' (15M) Standard		PMP300-50 2060-2751	
6b	Support Assembly Front (Including Smart Cover, Pcb Membrane, Lens & Lower Support)	PMPS186 2060-2725	17	Connector Plug	Refer to Page 84
7	33' Conduit Assembly (3/64" - 1/16" / 1,2mm - 1,6mm Wire)	PMP44-116-33 1441-1125	18	Control Wire (Standard)	MS354-DSM 2060-2140
	50' Conduit Assembly (3/64" - 1/16" / 1,2mm - 1,6mm Wire)	PMP44-116-50 1441-1126	19	Replacement PCB	PM85-PCB 2060-2738
	33' Conduit Assembly (.035" - .045" / 0,9mm - 1,1mm Wire)	PMP44-3545-33 1441-1127	NS	Hose Clamp Package of 5	BG-53N04 2031-2088
	50' Conduit Assembly (.035" - .045" / 0,9mm - 1,1mm Wire)	PMP44-3545-50 1441-1128		Hex Key	EPG-HW 2031-2088
	33' Conduit Assembly (3/64" - 1/16" / 1,2mm - 1,6mm Steel Wire)	PMPS44-116-33 1441-1129		Poppet Valve Assembly	PMP-PV 2060-2737
	50' Conduit Assembly (3/64" - 1/16" / 1,2mm - 1,6mm Steel Wire)	PMPS44-116-50 1441-1130		Tweco Control Wire	EPG354T 2031-2084
	33' Conduit Assembly (.035" - .045" / 0,9mm - 1,1mm Steel Wire)	PMPS44-3545-33 1441-1131		Miller Control Wire	EPG354M 2031-2086
	50' Conduit Assembly (.035" - .045" / 0,9mm - 1,1mm Steel Wire)	PMPS44-3545-50 1441-1132		Lincoln Control Wire	EPG354L 2031-2085
Head Block Assembly	PMP103 2060-1726	EPG-CR2 Jumper Wire		PMP354T 2031-2145	
Pressure Arm Assembly	SPG103-1 2060-1727	Protective Cable Wrap (50Ft/Box)		TCR50 9900-1150	
NS	Idle Bearing Assembly	SPG103-8 2060-1728			
	Front Wire Guide Assembly (Aluminum)	PMPS-106TA 2060-1729			
9	Front Wire Guide Assembly (Steel)	PMPS-106TA 2060-1729			
10	Drive Roll (.030" / 0,8mm Wire)	EPG103-2-0.8 2031-2091			
	Drive Roll (.035" / 0,9mm Wire)	EPG103-2-0.9 2031-2077			
	Drive Roll (.040" / 1,0mm Wire)	EPG103-2-1.0 2031-2023			
	Drive Roll (3/64" / 1,2mm Wire)	EPG103-2-1.2 2031-2003			
	Drive Roll (1/16" / 1,6mm Wire)	EPG103-2-1.6 2031-2022			
	Drive Roll V-Groove (1/16" / 1,6mm Steel Wire)	EPG103-2-1.6V 2031-2134			
	Drive Roll V-Groove (3/64" / 1,2mm Steel Wire)	EPG103-2-1.2V 2031-2135			
	Drive Roll V-Groove (.035" / 0,9mm Steel Wire)	EPG103-2-0.9V 2031-2136			

PULSEMASTER™ WATER-COOLED MIG GUN SERIES

FEATURES & BENEFITS

One-touch, on-the-fly controls

- “smart” capability with one-touch digital control to adjust primary parameters such as welding current, material thickness, wire feed speed or arc length trim
- standard MIG gun without “smart” capability

Exceptional weld bead

- using twin-pulse mode, get the perfect weld bead that you want

Operator appeal and reduces operator fatigue

- ergonomic handle to reduce operator fatigue
- low bench weight for easy to handle gun

Durable for industrial applications

- heavy duty design for industrial application environments
- impact resistant handle and trigger design

Lower heat in the handle and conductor tube

- heavy duty contact tip and diffuser to act as “heat sink”
- increased interface between contact tip & gas diffuser improves electrical conductivity

Improved performance with longer life consumables

- heavy duty contact tips in high heat applications
- gun drilled contact tips for exceptionally smooth surface for improved feed-ability, consistency and longer tip life



Tweco PulseMaster Smart MIG Gun with digital display – use with Thermal Arc SP machines only

Tweco Standard PulseMaster MIG Gun

MODEL	OUTPUT			PROCESS		STANDARD OPTIONS			APPLICATION		
	Current (Amps)	Duty Cycle Mixed Gas	Wire Diameter in. (mm)	MIG	Aluminum	Smart Capability	Standard Without “Smart” Capability	Rear Connector	Light Duty Fab	Medium Duty Fab	Heavy Duty Fab
PulseMaster 400	400	100%	Up to 1/16" (1,6mm)	●	●	●	●	●	●		
PulseMaster 500	500	100%	Up to 1/16" (1,6mm)	●	●	●	●	●			●

PulseMaster™ Water-Cooled 400 & 500 Amp 100% Duty Cycle, CO₂

STANDARD		
Description	(PART NO. / STOCK NO.)	
	Tweco*	Euro-Kwik
400 Amp Gun Assembly with 12' (4M) Cable	PMW412-3545 1042-1500	PMW412X-3545 1042-1505
400 Amp Gun Assembly with 15' (5M) Cable	PMW415-3545 1042-1501	PMW415X-3545 1042-1506
500 Amp Gun Assembly with 12' (4M) Cable	PMW512-3545 1042-1525	PMW512X-3545 1042-1530
500 Amp Gun Assembly with 15' (5M) Cable	PMW515-3545 1052-1526	PMW515X-3545 1042-1531

SMART		
Description	(PART NO. / STOCK NO.)	
	Tweco	Euro-Kwik
400 Amp Gun Assembly with 12' (4M) Cable	PMWS412-3545 1042-1510	PMWS412X-3545 1042-1515
400 Amp Gun Assembly with 15' (5M) Cable	PMWS415-3545 1042-1511	PMWS415X-3545 1042-1516
500 Amp Gun Assembly with 12' (4M) Cable	PMWS512-3545 1042-1535	PMWS512X-3545 1042-1540
500 Amp Gun Assembly with 15' (5M) Cable	PMWS515-3545 1042-1536	PMWS515X-3545 1042-1541

Note: PulseMaster "Smart" MIG Guns are used only with the Thermal Arc SP machines.
* Adapter kits are available to fit Tweco rear connection to most wire feeders.

Tweco Water Coolers

- Vertical or horizontal models available
- Designed for MIG guns up to 600 amps and TIG torches up to 500 amps
- Stainless steel construction eliminates coolant contamination due to electrolyte and chemical reactions
- High efficiency radiator design pulls outside air through radiator
- Available with either Gear or Vane pumps
- Vertical model has molded seamless plastic water tank; virtually eliminates leakage

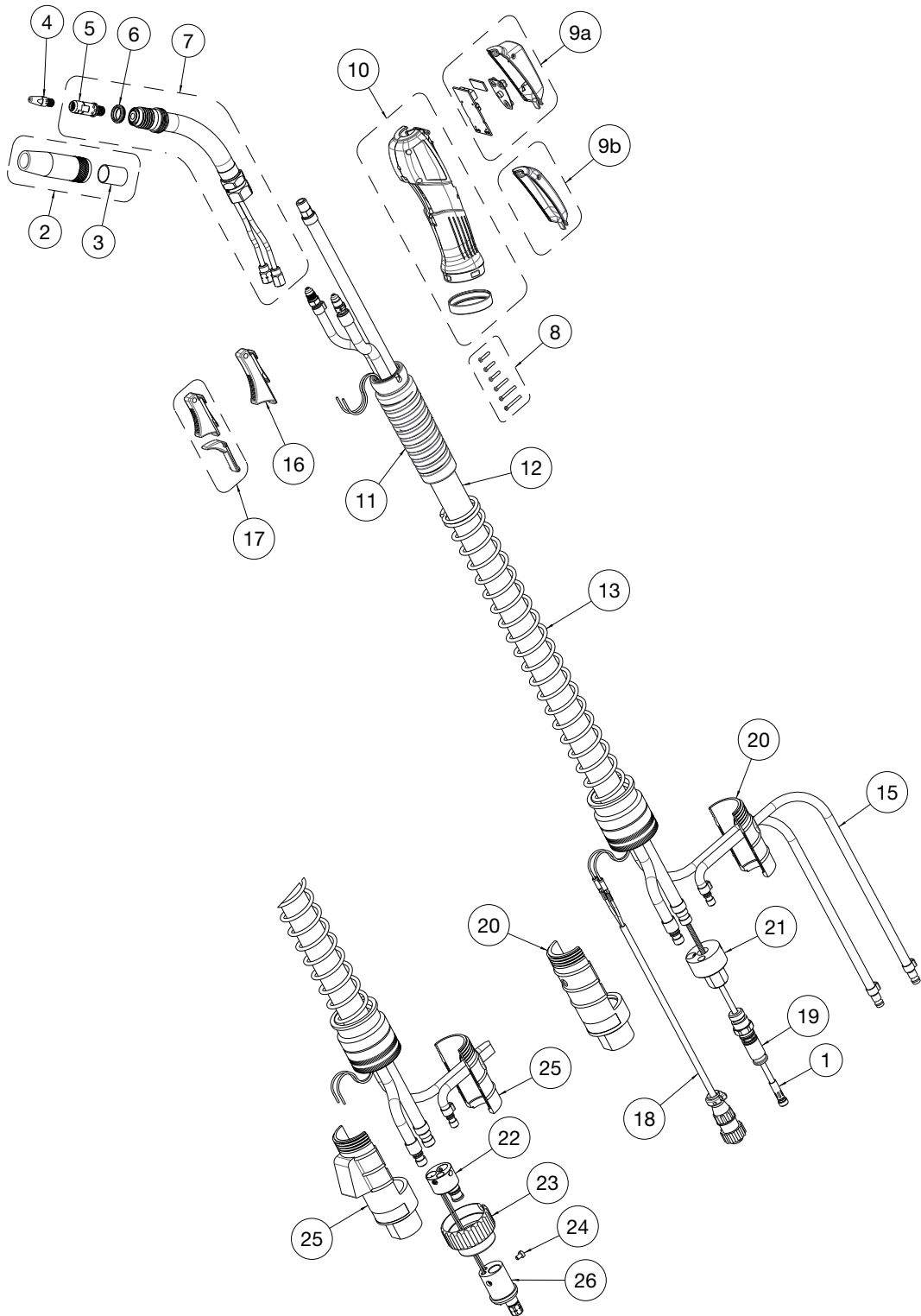
- Pump by-pass to tank on rotary gear pump - keeps pump from overheating
- Vane pumps are equipped with a bypass to eliminate excessive pump wear



TC900 WATER COOLER	
Description	(PART NO. / STOCK NO.)
	Tweco
Cooler w/Gear Pump 110V-50/60 Hz	TC900-G 4010-1010
Cooler w/Vane Pump 110V-50/60 Hz	TC900-V 4010-1011
Cooler w/Gear Pump 230V-50/60 Hz	TC900-GX 4010-1012

TCV900 WATER COOLER	
Description	(PART NO. / STOCK NO.)
	Tweco
Cooler w/Gear Pump 110V-50/60 Hz	TCV900-G 4010-1035
Cooler w/Vane Pump 110V-50/60 Hz	TCV900-V 4010-1036

PulseMaster™ Water-Cooled Replacement Parts



PULSEMASTER™ WATER-COOLED MIG GUN REPLACEMENT PARTS LIST

#	DESCRIPTION	PART NO. / STOCK NO.	#	DESCRIPTION	PART NO. / STOCK NO.
1	Conduit Assembly	Refer to Pages 106-108	13	Strain Relief Spring	QR-SPR 3045-1177
2	Nozzle	Refer to Pages 91-99	14	Strain Relief Cap	QR-RC 3045-1238
3	Nozzle Insulator	WC23-1 1230-1084	15	Water Hose Assembly	PMW603-WH 2060-2723
4	Contact Tip	Refer to Pages 88-90	16	Trigger	PM94 2060-2712
5	Gas Diffuser used w/16P & 16PS Series Contact Tips	PMW5516 1550-1105	17	Trigger & Guard Assembly	PM94X 2060-2713
6	Pressure Ring	PMW64-3 1644-2900	18	Control Wire Plug	MS354-DSM 2060-2140
7	Conductor Tube	Refer to Pages 102-105	19	Heavy Duty Connector Plug Assembly	350-174H 2035-2110
8	Handle Screws w/ T9 Star Head (12mm, 16mm, & 20mm LG)	PMHSK 2060-2705	20	Rear Case	PMW6RC 2060-2724
9a	Handle Housing w/ Smart Control Assembly	PM84-PCB-HK 2060-2706	21	Rear Connector Block - Direct Plug	WC6-170H 2064-2171
9b	Handle Housing (Blank)	PM84-H 2060-2707	22	Rear Connector Block - Euro	WC174X-B 2044-2182
10	Large Handle Assembly w/ Retaining Ring	PM84 2060-2708	23	Euro-Kwik Connector Nut	174X-2 2040-2177
	Small Handle Assembly w/ Retaining Ring	PM83 2060-2715	24	Euro-Kwik Connector Screw	4M-S 2011-2004
11	Front Cable Support	PMW-SPS 2060-2720	25	Euro-Kwik Rear Case	X6RC 2060-2006
12a	12 ft. (4M) Cable and Hose Assembly	PMW512 2060-2721	26	Euro-Kwik Connector Assembly	WC174X 2044-2181
12b	15 ft. (5M) Cable and Hose Assembly	PMW515 2060-2722			

SUPRA WATER-COOLED MIG GUN

FEATURES & BENEFITS

Operator appeal and reduces operator fatigue

- ergonomic handle to reduce operator fatigue
- low bench weight for easy to handle gun

Provides cooling benefits for the front end consumables

- cool running for maximum efficiency and comfort
- increase "weld" life of front end consumables
- large water lines for maximum cooling
- high water flow rates

Increased duty cycle at high amperage applications

- 450 Amp series MIG guns @ 100% duty cycle

Rugged & durable

- outer cover protects the power cable, water lines and gas hose from weld spatter/abrasion

Field repairable

- replacement cable assemblies available - power cable, water-lines, and gas hose
- color coded water lines for easy identification to water-in & water-out

Ease of use

- quick water line connections making hook-up easy (Euro style)
- simplified direct rear plug connections
- adapts easily to Miller®, and Lincoln® style machines



MODEL	OUTPUT		Wire Diameter in. (mm)	PROCESS		STANDARD OPTIONS	APPLICATION	
	Current (Amps)	Duty Cycle Mixed Gas		MIG	Aluminum		Rear Connector	Medium Duty Fab
SUPRA 450	450	100%	Up to 1/16" (1,6mm)	●	●	●	●	●

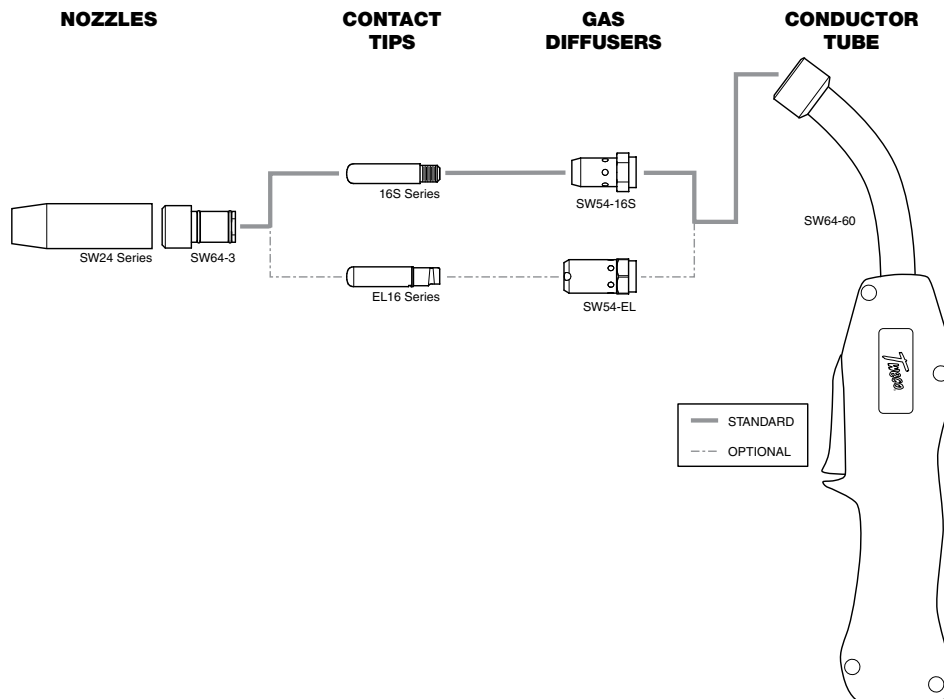


**SUPRA Water-Cooled
450 Amp
100% Duty Cycle, CO₂**

TWECO* STYLE REAR CONNECTOR			
Wire Size	Length	Part No.	Stock No.
Up To .045" (1,2mm)	15 ft. (5M)	SW415-3545	1044-1152
	10 ft. (3M)	SW410-116	1044-1155
Up To 1/16" (1,6mm)	12 ft. (4M)	SW412-116	1044-1156
	15 ft. (5M)	SW415-116	1044-1157

MILLER STYLE REAR CONNECTOR			
Wire Size	Length	Part No.	Stock No.
Up To 1/16" (1,6mm)	10 ft. (3M)	SW410M-116	1044-1180
	12 ft. (4M)	SW412M-116	1044-1181
	15 ft. (5M)	SW415M-116	1044-1182

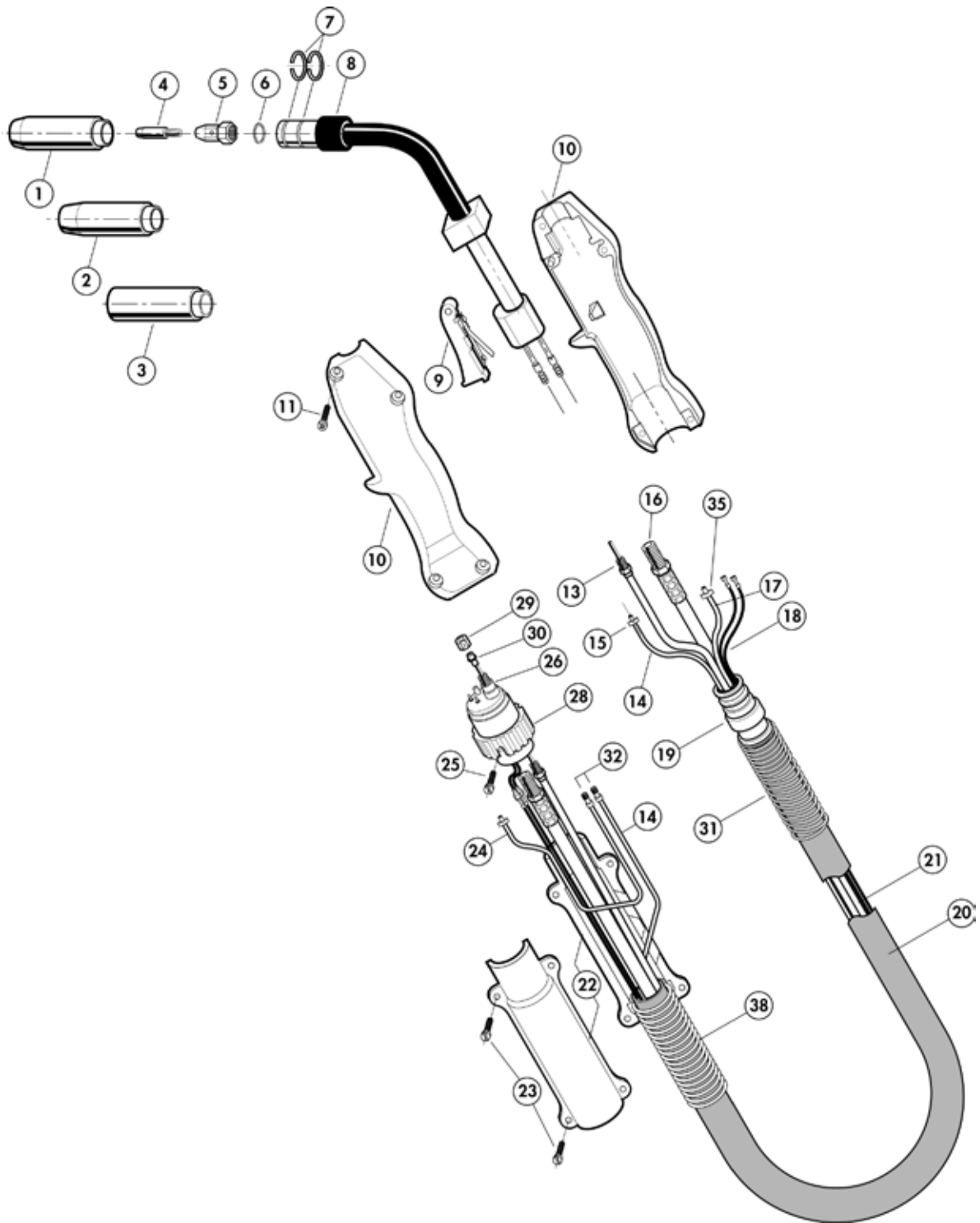
* Adapter kits are available to fit Tweco rear connection to most wire feeders.



Refer to Pages 86-101 for more complete detail on front end options. Refer to Pages 78-79 for Parts Breakdown information.

Miller is a registered trademark of Illinois Tool Works, Inc. The aforementioned registered trademarks are in no way affiliated with Tweco Products, Inc. Tweco is registered trademark of Thermadyne Industries, Inc.

SUPRA Water-Cooled Replacement Parts



450 AMP WATER-COOLED MIG GUN REPLACEMENT PARTS LIST

#	DESCRIPTION	PART NO./STOCK NO.	#	DESCRIPTION	PART NO./STOCK NO.
1	Nozzle 11/16" (17mm) Bore	SW24-17 1244-1025	20	10 ft. (3M) Power Cable	SW410-PC 1742-2230
2	Nozzle 5/8" (15,5mm) Bore	SW24-15 1244-1026		12 ft. (4M) Power Cable	SW412-PC 1742-2231
3	Nozzle 13/16" (21mm) Bore	SW24-21 1244-1027		15 ft. (5M) Power Cable	SW415-PC 1742-2232
4	EL16 Series Contact Tip	Refer to Pages 88-90	21	Gas Hose Clamp (8,7mm)	SW134-G 2044-1022
4a	16S Series Contact Tip	Refer to Pages 88-90	23	10 ft. (3M) Complete Cable	SW410 1742-2225
5	Diffuser for 16S Series Tips	SW54-16S 1540-1115		12 ft. (4M) Complete Cable	SW412 1742-2226
5a	Diffuser for EL16 Series Tips	SW54-EL 1540-1116		15 ft. (5M) Complete Cable	SW415 1742-2227
6	Insulating Ring	SW64-2 2044-1020	24	Rear Spring Support	SW144 2044-1000
7	Nozzle Retaining Ring	SW64-R 2044-1025	25	Connector Case Cover with Screws	SW184 2044-1011
8	Nozzle Holder	SW64-3 2044-1019	27	Water Outlet Hose (sold per foot)	SW400-WHO 1742-2243
9	60° Conductor Tube	SW64-60 1644-1125	28	Male Wire Terminal	SW194-M 2044-1003
10	Conductor Tube Insulation	SW64-1 2044-1021	29	Female Wire Terminal Rear	SW194-F 2044-1004
11	Trigger	SW94 2044-1018	30	Male Water Quick Connect	SW-QCM 2044-1005
12	Handle Assembly w/ Screws	SW84 2044-1023	31	Female Water Quick Connect	SW-QCF 2044-1006
13	Handle Screw	SW84-S 2044-1026	34	44 Series Conduit	Refer to Pages 106-108
14	Water Inlet Hose (sold per foot)	SW400-WHI 1742-2240	35	Conduit Retaining Nut	SW174X-1C 2044-1009
15	Water Hose Clamp (9,5mm)	SW134-W 2044-1002	36	Connector Block (Tweco & Miller Rear Connections)	SW174-T 2044-1010
16	10 ft. (3M) Conduit Housing	SW410-CC 1742-2235	37	Connector Plug - Miller	174TL-M 2035-2131
	12 ft. (4M) Conduit Housing	SW412-CC 1742-2236	38	Nipple Assembly - Miller	174M-N 2040-2184
	15 ft. (5M) Conduit Housing	SW415-CC 1742-2237	39	Tweco Connector Plug & O-Rings	350-174 2035-2174
18	Control Wire (sold per foot)	SW400-CW 1742-2242			

STANDARD WATER-COOLED MIG GUN

FEATURES & BENEFITS

Operator appeal and reduces operator fatigue

- ergonomic handle to reduce operator fatigue
- low bench weight for easy to handle gun

Provides cooling benefits for the front end consumables

- cool running for maximum efficiency and comfort
- increase "weld" life of front end consumables
- large water lines for maximum cooling
- high water flow rates

Increased duty cycle at high amperage applications

- 600 Amp series MIG guns @ 100% duty cycle
- large diameter wire capacity up to 7/64"

Rugged & durable

- outer cover protects the power cable, water lines and gas hose from weld spatter/abrasion

Field repairable

- replacement cable assemblies available - power cable, water-lines, and gas hose
- color coded water lines for easy identification to water-in & water-out

Ease of use

- threaded water line connections making hook-up easy (LH CGA)
- simplified direct rear plug connections
- adapts easily to Miller®, and Lincoln® style machines



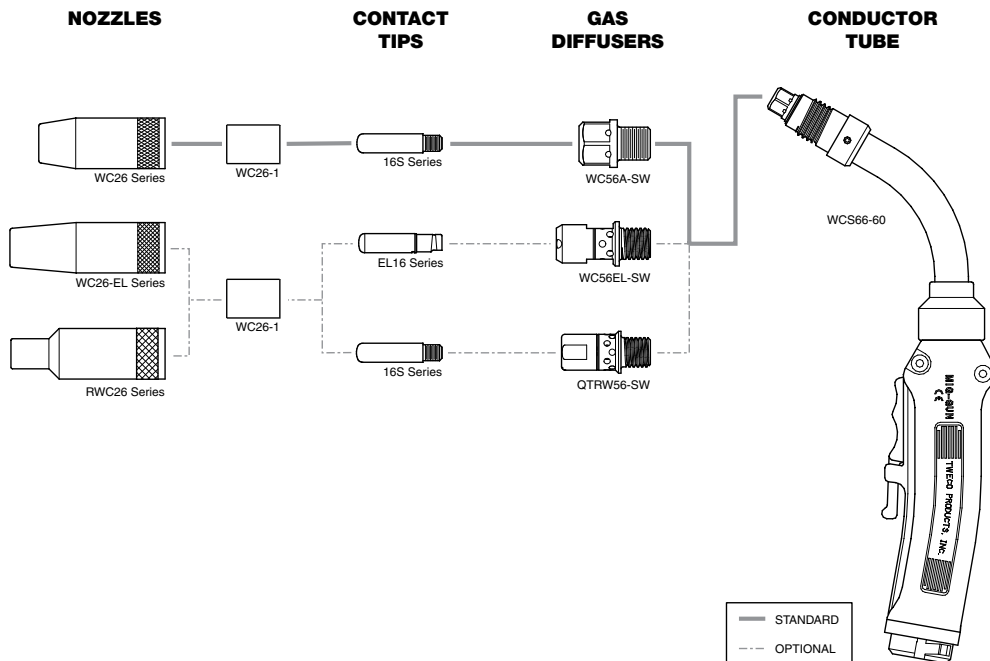
MODEL	OUTPUT			PROCESS		STANDARD OPTIONS	APPLICATION	
	Current (Amps)	Duty Cycle Mixed Gas	Wire Diameter in. (mm)	MIG	Aluminum	Rear Connector	Medium Duty Fab	Heavy Duty Fab
Standard 600	600	100%	Up to 7/64" (2,8mm)	●	●	●	●	●



**Standard Water-Cooled
600 Amp
100% Duty Cycle, CO₂**

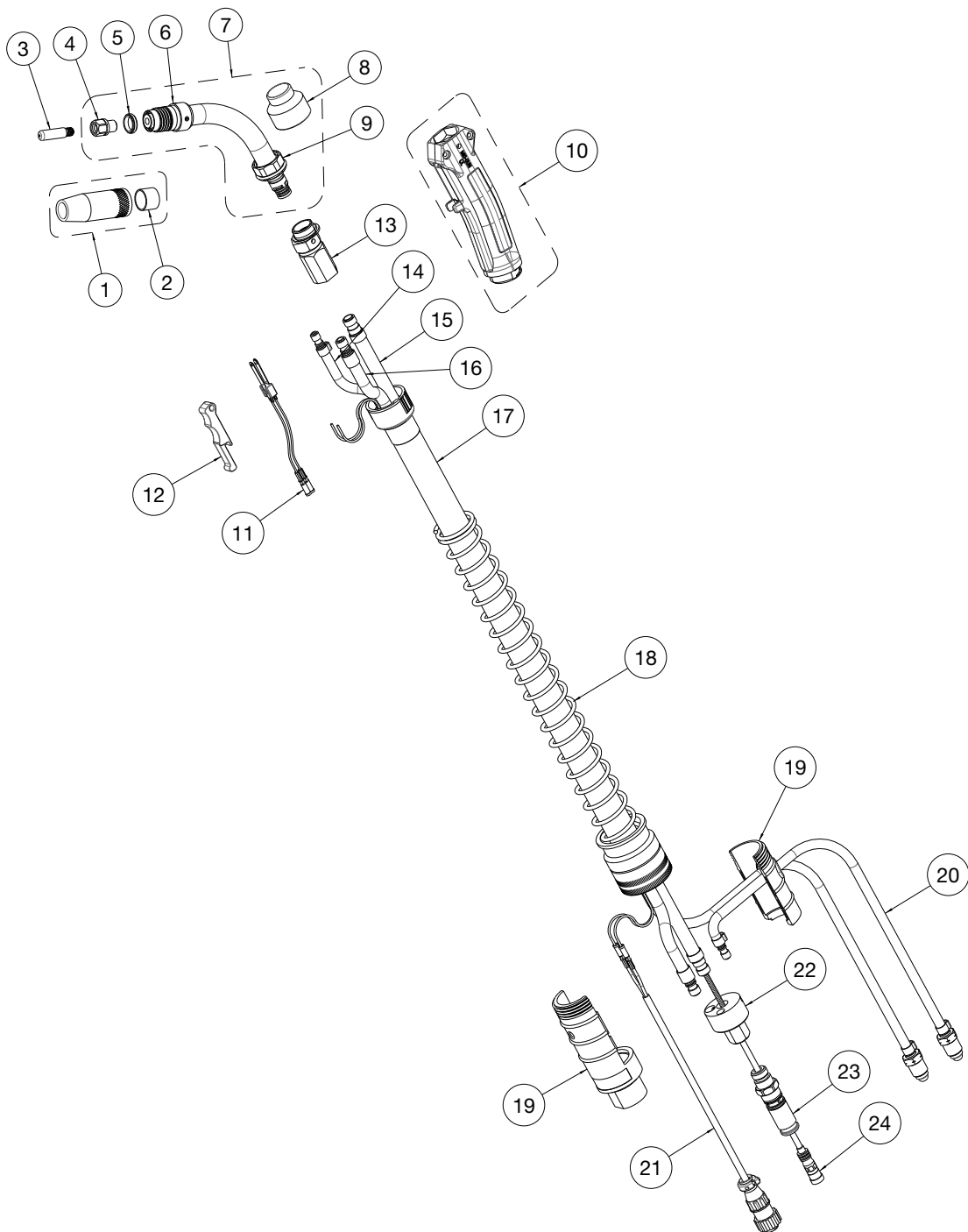
TWECO* STYLE REAR CONNECTOR			
Wire Size	Length	Part No.	Stock No.
Up To 1/16" (1,6mm)	10 ft. (3M)	WCS610-116	1064-1114
	12 ft. (4M)	WCS612-116	1064-1115
Up To .045" (1,2mm)	15 ft. (5M)	WCS615-3545	1064-1106
Up To 1/16" (1,6mm)	15 ft. (5M)	WCS615-116	1064-1116
3/32" (2,4mm)	15 ft. (5M)	WCS615-332	1064-1136
7/64" (2,8mm)	15 ft. (5M)	WCS615-764	1064-1146

* Adapter kits are available to fit Tweco rear connection to most wire feeders.



Refer to Pages 86-101 for more complete detail on front end options. Refer to Pages 82-83 for Parts Breakdown information.

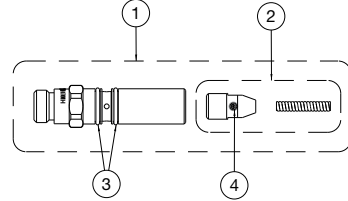
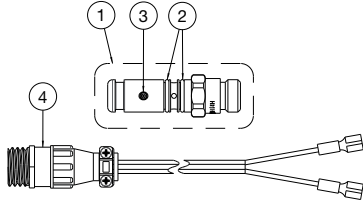
Standard Water-Cooled Replacement Parts



600 AMP WATER-COOLED MIG GUN REPLACEMENT PARTS LIST

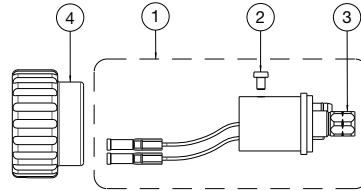
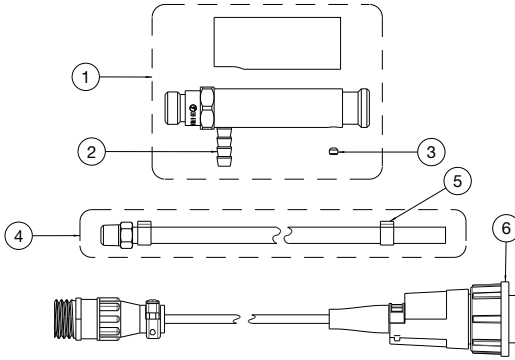
#	DESCRIPTION	PART NO./STOCK NO.	#	DESCRIPTION	PART NO./STOCK NO.
1	Nozzle With Spatter Shield	Refer to Pages 91-99	16	Power Cable, 10 FT (3M)	WC610-PC 1764-2111
2	Spatter Shield	WC26-1 1264-1009		Power Cable, 12 FT (4M)	WC612-PC 1764-2112
3	Contact Tips	Refer to Pages 88-90		Power Cable, 15 FT (5M)	WC615-PC 1764-2113
4	Diffusers	Refer to Pages 100-101	17	Complete Cable Assembly, 10 FT (3M)	WC600-10 1764-2101
5	Pressure Ring Insulator	WC36-R 2064-1036		Complete Cable Assembly, 12 FT (4M)	WC600-12 1764-2102
6	Conductor Tube Housing	WCS36-H 1344-1145		Complete Cable Assembly, 15 FT (5M)	WC600-15 1764-2103
7	Conductor Tube	Refer to Pages 102-105	18	Rear Strain Relief Spring	QR-SPHD 3045-1178
8	Nut Cover Insulation	WC86-HC 2064-2086	19	Rear Case	W6RC 2064-2600
9	Locking Nut	WC66-N 2064-2067	20	Water Hose Out	WC603-WH 1764-2130
10	Handle Assembly	W6R-H 2064-2031	21	Control Wire	MS354-DSM 2060-2140
11	Trigger Blade Assembly	EL96-B 2060-2606	22	Rear Connector Block (Direct Plug)	WC6-170H 2064-2171
12	Trigger	EL96 2060-2605		Rear Connector Block (Euro Plug)	WC174X-B 2044-2182
13	Front Connector Block	WC106 2064-2106	23	Connector Plug	Refer to Page 84
14	Water Hose IN, 10 FT (3M)	WC610-WH 1764-2131	24	Conduit	Refer to Pages 106-108
	Water Hose IN, 12 FT (4M)	WC612-WH 1764-2132			
	Water Hose IN, 15 FT (5M)	WC615-WH 1764-2133			
15	Gas Hose, 10 FT (3M)	WC610-GH 1764-2121			
	Gas Hose, 12 FT (4M)	WC612-GH 1764-2122			
	Gas Hose, 15 FT (5M)	WC615-GH 1764-2123			

Tweco MIG Gun Direct Plug & Control Wire Jumpers



TWECO STYLE		100 - 450 AMP	500 - 600 AMP
#	DESCRIPTION	Part No. Stock No.	Part No. Stock No.
1	Connector Plug	350-174H 2035-2110	176SH 2060-2177
	Connector Plug (Extra Long)	350-174HXL 2035-2116	N/A
2	O-Ring Only (Package of 10)	224S 2064-2059	225S 2050-2226
3	Set Screw Only (Package of 10)	44CS 2040-2046	
4	Thermal Arc Control Jumper Cord	MS-354-TAJ 2060-2139	
NS	Additional Adapter Kits	See Adapter Kit Catalog - Form No. TAKL-97	

MILLER STYLE		100 - 450 AMP	500 - 600 AMP
#	DESCRIPTION	Part No. Stock No.	Part No. Stock No.
1	Connector Plug	350-174MH 2035-2111	EL176MH 2060-2178
	Connector Plug (Extra Long)	350-174MHXL 2035-2114	N/A
2	Wire Guide Assembly Only	174M-N 2040-2184	175M-N 2050-2178
3	O-Ring Only (Package of 10)	224S 2064-2059	
4	Set Screw Only (Package of 10)	44CS 2040-2046	



LINCOLN STYLE		100 - 450 AMP	500 - 600 AMP
#	DESCRIPTION	Part No. Stock No.	Part No. Stock No.
1	Connector Plug	350-174LH 2035-2112	EL176LH 2060-2680
2	Gas Nipple	35-170-5 2000-2175	
3	Set Screw Only (Package of 10)	44CS 2040-2046	
4	Gas Hose With Clamp	AK353 2642-2300	
5	Gas Hose Clamp Only	AK-353-2A 2642-2302	
6	Lincoln Control Jumper Cord	MS354DS-LJ 2060-2137	

EURO-KWIK STYLE		100 - 450 AMP	500 - 600 AMP
#	DESCRIPTION	Part No. Stock No.	Part No. Stock No.
1	Euro-Kwik Body Assembly	174EX-1 2040-2276	
	Euro-Kwik Body Assembly (Water-Cooled)	WC174X 2044-2181	
2	Screw Only	4-MS 2011-2004	
3	Euro-Kwik Conduit Cap Only	174EX-1C 2040-2279	
4	Euro-Kwik Nut	174X-2 2040-2177	

Miller is a registered trademark of Illinois Tool Works, Inc. The aforementioned registered trademarks are in no way affiliated with Tweco Products, Inc. Tweco is registered trademark of Thermadyne Industries, Inc.

There's only one thing as good
as a Tweco gun.

Another
Tweco gun.

SPRAY MASTER 350X



No. 4 MIG GUN

True professionals know that nothing can replace a Tweco MIG gun. For decades, welding operators around the world have felt the pride of owning one of the most trusted brands in the industry. With a rich history of producing top quality professional guns like the Spray Master and one of the most popular MIG guns of all time – the No. 4 MIG, it's easy to see why the Tweco name has become synonymous with dependability and reliability. Nothing compares to the genuine craftsmanship of a Tweco gun.

Tweco
Professional

VISIT WWW.TWECOTRUST.COM TODAY.

MIG WELDING CONSUMABLES



FEATURES

Tweco® offers a wide range of front end consumables to choose from to fit your welding application needs

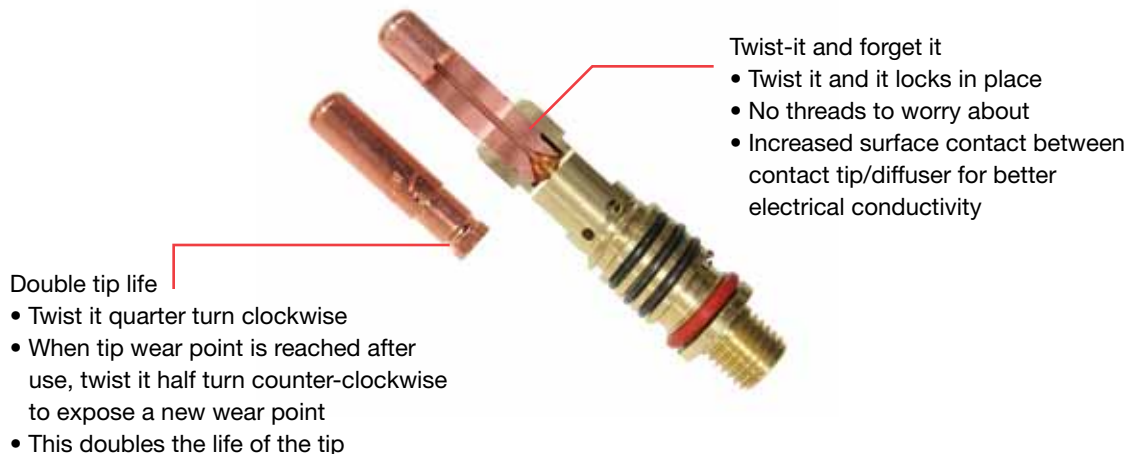
- Slip-On or Thread-On nozzle styles with a choice of diameter bore sizes
- Gas diffusers designed for specific MIG gun series
- Contact tips in either threaded and/or twist lock Eliminator® style contact tips for Eliminator style gas diffuser
- Contact tips manufactured from extruded or gun-drilled copper alloy

Conduit liners made from either zinc-plated music wire with and without nylon coated wall or Teflon tubing all having it's benefits when running the various welding wire material

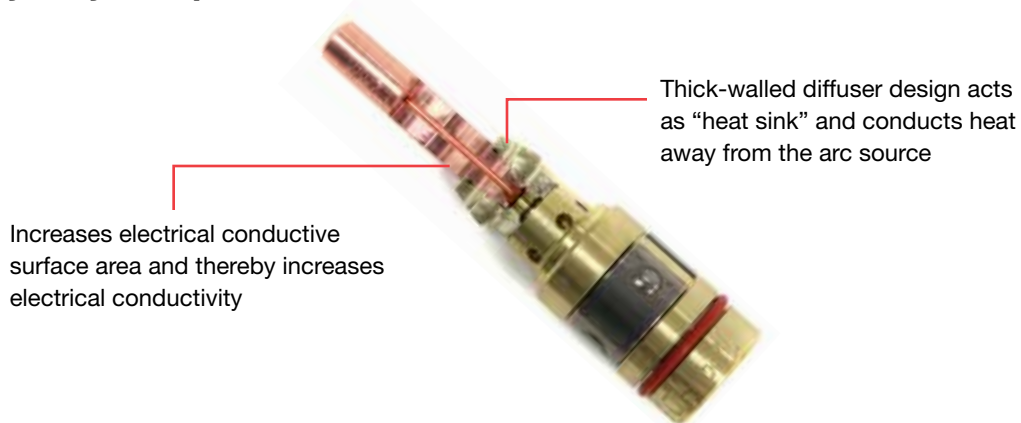
TRUST Tweco to supply front end consumables for your MIG gun. With over 40 plus years of experience delivering dependable and durable MIG welding consumables for light to heavy metal fabrication.

ENHANCED DESIGN OF FRONT-END CONSUMABLES

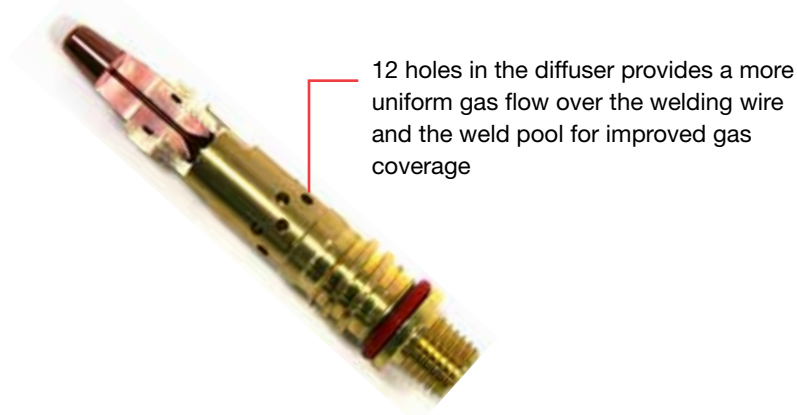
Increase productivity with Eliminator® contact tip



Heavy-Duty HD Tip and Diffuser



Improve gas coverage with enhanced diffuser design





11 Series



14T Series



16S Series

STANDARD THREADED STYLE CONTACT TIPS

		Standard		Heavy-Duty		Tapered	
Wire Size (in/mm)	Tip I.D. (in/mm)	Part No.	Stock No.	Part No.	Stock No.	Part No.	Stock No.
11, 11H, & 11T SERIES 0.25" (6,35MM) O.D. - M6 X 1.0 THREADS - 1.00" (25,4MM) O.A.L.							
.023" (0,6mm)	.031" (0,79mm)	11-23	1110-1100			11T-23	1110-1300
.030" (0,8mm)	.038" (0,97mm)	11-30	1110-1101	11H-30	1110-1201	11T-30	1110-1301
.035" (0,9mm)	.044" (1,12mm)	11-35	1110-1102	11H-35	1110-1202	11T-35	1110-1302
.040" (1,0mm)	.048" (1,22mm)	11-40	1110-1103	11H-40	1110-1203	11T-40	1110-1303
.045" (1,2mm)	.054" (1,37mm)	11-45	1110-1104	11H-45	1110-1204	11T-45	1110-1304
3/64" AL (1,2mm)	.059" (1,50mm)			11AH-364	1110-1213		
14, 14H, & 14T SERIES 0.25" (6,35MM) O.D. - .250-28 UNF THREADS - 1.50" (38,1MM) O.A.L.							
.023" (0,6mm)	.031" (0,79mm)	14-23	1140-1100			14T-23	1140-1300
.030" (0,8mm)	.038" (0,97mm)	14-30	1140-1101			14T-30	1140-1301
.035" (0,9mm)	.044" (1,12mm)	14-35	1140-1102	14H-35	1140-1202	14T-35	1140-1302
.040" (1,0mm)	.048" (1,22mm)	14-40	1140-1103	14H-40	1140-1203	14T-40	1140-1303
.045" (1,2mm)	.054" (1,37mm)	14-45	1140-1104	14H-45	1140-1204	14T-45	1140-1304
.052" (1,3mm)	.064" (1,65mm)	14-52	1140-1105	14H-52	1140-1205	14T-52	1140-1305
1/16" (1,6mm)	.073" (1,85mm)	14-116	1140-1106	14H-116	1140-1206	14T-116	1140-1306
5/64" (2,0mm)	.090" (2,29mm)	14-564	1140-1109	14H-564	1140-1209		
3/64" AL (1,2mm)	.059" (1,50mm)	14A364	1140-1113	14AH-364	1140-1213		
1/16" AL (1,6mm)	.082" (2,08mm)			14AH-116	1140-1214		
15H & 15HFC SERIES 0.345" (8,8MM) O.D. - .3125-24 UNF THREADS 15H & 15AH SERIES - 1.970" O.A.L.; 15HFC - 1.590" O.A.L.							
.035" (0,9mm)	.044" (1,12mm)	15H-35	1150-1202				
.045" (1,2mm)	.054" (1,37mm)	15H-45	1150-1204	15HFC-45	1150-1254		
.052" (1,3mm)	.064" (1,65mm)	15H-52	1150-1205	15HFC-52	1150-1255		
1/16" (1,6mm)	.073" (1,85mm)	15H-116	1150-1206	15HFC-116	1150-1256		
5/64" (2,0mm)	.090" (2,29mm)	15H-564	1150-1209	15HFC-564	1150-1259		
3/32" (2,4mm)	.106" (2,67mm)	15H-332	1150-1210	15HFC-332	1150-1260		
7/64" (2,8mm)	.120" (3,05mm)	15H-764	1150-1211	15HFC-764	1150-1261		
1/8" (3,2mm)	.144" (3,66mm)	15H-18	1150-1212	15HFC-18	1150-1262		
3/64" AL (1,2mm)	.059" (1,50mm)	15AH-364	1150-1213				
1/16" AL (1,6mm)	.082" (2,08mm)	15AH-116	1150-1214				
16S & 16ST SERIES 0.375" (9,5MM) O.D. - M8 X 1.25 THREADS - 1.50" (38,1MM) O.A.L.							
.035" (0,9mm)	.044" (1,12mm)	16S-35	1160-1102			16ST-35	1160-1135
.040" (1,0mm)	.048" (1,22mm)	16S-40	1160-1103			16ST-40	1160-1136
.045" (1,2mm)	.054" (1,37mm)	16S-45	1160-1104			16ST-45	1160-1137
.052" (1,3mm)	.064" (1,65mm)	16S-52	1160-1105			16ST-52	1160-1138
1/16" (1,6mm)	.073" (1,85mm)	16S-116	1160-1106			16ST-116	1160-1139
5/64" (2,0mm)	.090" (2,29mm)	16S-564	1160-1109				
3/32" (2,4mm)	.106" (2,67mm)	16S-332	1160-1110				
7/64" (2,8mm)	.120" (3,05mm)	16S-764	1160-1111				
1/8" (3,2mm)	.144" (3,66mm)	16S-18	1160-1112				
3/64" AL (1,2mm)	.059" (1,50mm)	16AS-364	1160-1113				
1/16" AL (1,6mm)	.082" (2,08mm)	16AS-116	1160-1114				



14RZ-45



16RZT-45

LONG LIFE THREADED STYLE CONTACT TIPS

		Standard		Tapered	
Wire Size (in/mm)	Tip I.D. (in/mm)	Part No.	Stock No.	Part No.	Stock No.
11RZ SERIES 0.25" (6,35MM) O.D. - M6 X 1.0 THREADS - 1.00" (25,4MM) O.A.L.					
.035" (0,9mm)	.044" (1,12mm)	11RZ-35	1110-1220		
14RZ & 14RZT SERIES 0.25" (6,35MM) O.D. - .250-28 UNF THREADS - 1.50" (38,1MM) O.A.L.					
.035" (0,9mm)	.044" (1,12mm)	14RZ-35	1140-1430	14RZT-35	1140-1440
.045" (1,2mm)	.054" (1,37mm)	14RZ-45	1140-1432	14RZT-45	1140-1442
.052" (1,3mm)	.064" (1,65mm)	14RZ-52	1140-1433	14RZT-52	1140-1443
16RZ & 16RZT SERIES 0.375" (9,5MM) O.D. - M8 X 1.25 THREADS - 1.50" (38,1MM) O.A.L.					
.035" (0,9mm)	.044" (1,12mm)	16RZ-35	1160-1180	16RZT-35	1160-1190
.040" (1,0mm)	.048" (1,22mm)	16RZ-40	1160-1181	16RZT-40	1160-1191
.045" (1,2mm)	.051" (1,30mm)	16RZ-45	1160-1182	16RZT-45	1160-1192
.045" (1,2mm)	.054" (1,37mm)	16RZ-45C	1160-1185	16RZT-45C	1160-1195
.052" (1,3mm)	.064" (1,65mm)	16RZ-52	1160-1183	16RZT-52	1160-1193
1/16" (1,6mm)	.073" (1,85mm)	16RZ-116	1160-1184	16RZT-116	1160-1194
5/64" (2,0mm)	.090" (2,29mm)	16RZ-116-68	1160-1186	16RZT-116-68	1160-1196



16PS Series

LONG LIFE PULSEMASTER STYLE THREADED STYLE CONTACT TIPS

		Standard	
Wire Size (in/mm)	Tip I.D. (in/mm)	Part No.	Stock No.
16PS SERIES 0.375" (9,5MM) O.D. - M8 X 1.25 THREADS - 1.181" (30MM) O.A.L.			
.030" (0,8mm)	.038" (0,9mm)	16PS-30	1160-1543
.035" (0,9mm)	.044" (1,12mm)	16PS-35	1160-1535
.040" (1,0mm)	.048" (1,22mm)	16PS-40	1160-1536
.045" (1,2mm)	.054" (1,37mm)	16PS-45	1160-1537
.047" (1,2mm)	.063" (1,6mm)	16APS-364	1160-1538
1/16" (1,6mm)	.073" (1,8mm)	16PS-116	1160-1539
.052" (1,3mm)	.058" (1,5mm)	16PS-52	1160-1541
1/16" (1,6mm)	.082" (2,1mm)	16APS-116	1160-1540

Note: Gas Diffuser – Part No. PMA54-16S (Stock No. 1543-1106) or PMW55-16 (Stock No. 1550-1105) must be used with the 16PS series contact tips to maintain standard nozzle/contact tip relationship.



EL16T Series



EL16 Series

ELIMINATOR® STYLE CONTACT TIPS					
		Standard		Tapered	
Wire Size (in/mm)	Tip I.D. (in/mm)	Part No.	Stock No.	Part No.	Stock No.
EL11 SERIES 0.25" (6,35MM) O.D - 1.00" (25,4MM) O.A.L.					
.035" (0,9mm)	.044" (1,12mm)	EL11-35	1140-1177		
.045" (1,2mm)	.054" (1,37mm)	EL11-45	1140-1179		
EL16 & EL16T SERIES 0.345" (6,35MM) O.D - 1.50" (38,1MM) O.A.L.					
.023" (0,6mm)	.031" (0,79mm)			EL16T-23	1160-1600
.030" (0,8mm)	.038" (0,97mm)	EL16-30	1160-1610	EL16T-30	1160-1601
.035" (0,9mm)	.044" (1,12mm)	EL16-35	1160-1611	EL16T-35	1160-1602
.040" (1,0mm)	.048" (1,22mm)	EL16-40	1160-1612	EL16T-40	1160-1603
.045" (1,2mm)	.054" (1,37mm)	EL16-45	1160-1613	EL16T-45	1160-1604
.052" (1,3mm)	.064" (1,65mm)	EL16-52	1160-1615	EL16T-52	1160-1605
1/16" (1,6mm)	.073" (1,85mm)	EL16-116	1160-1616	EL16T-116	1160-1606
5/64" (2,0mm)	.090" (2,29mm)	EL16-564	1160-1618		
3/32" (2,4mm)	.106" (2,67mm)	EL16-332	1160-1619		
7/64" (2,8mm)	.120" (3,05mm)	EL16-764	1160-1620		
3/64" AL (1,2mm)	.059" (1,50mm)	EL16A-364	1160-1614	EL16AT-364	1160-1607
1/16" AL (1,6mm)	.082" (2,08mm)	EL16A-116	1160-1617		

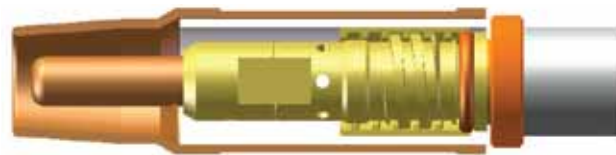
LONG LIFE ELIMINATOR® STYLE CONTACT TIPS					
		Standard		Tapered	
Wire Size (in/mm)	Tip I.D. (in/mm)	Part No.	Stock No.	Part No.	Stock No.
EL16RZ & EL16RZT SERIES 0.345" (6,35MM) O.D - 1.50" (38,1MM) O.A.L.					
.035" (0,9mm)	.044" (1,12mm)	EL16RZ-35	1160-1730	EL16RZT-35	1160-1705
.040" (1,0mm)	.048" (1,22mm)	EL16RZ-40	1160-1731	EL16RZT-40	1160-1706
.045" (1,2mm)	.051" (1,30mm)	EL16RZ-45	1160-1732	EL16RZT-45	1160-1707
.045" (1,2mm)	.054" (1,37mm)	EL16RZ-45C	1160-1735	EL16RZT-45C	1160-1710
.052" (1,3mm)	.064" (1,65mm)	EL16RZ-52	1160-1733	EL16RZT-52	1160-1708
1/16" (1,6mm)	.073" (1,85mm)	EL16RZ-116	1160-1734	EL16RZT-116	1160-1709
1/16" (1,6mm)	.068" (1,73mm)	EL16RZ-116-68	1160-1736	EL16RZT-116-68	1160-1711



MIG GUN NOZZLE TO TIP RELATIONSHIP: IT'S MORE THAN JUST WELDER'S PREFERENCE

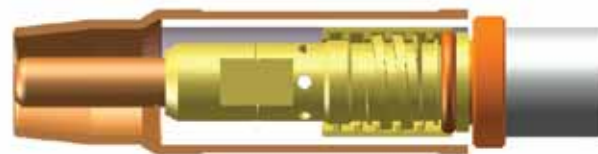
Selecting the right nozzle for a welder's preferred 'nozzle to tip relationship' on a MIG gun is generally based on the application and the welder's daily welding routine.

Recessed Tips are generally used for higher heat applications where longer electrical stick-out is required, or in cases where the nozzle may touch the work piece (tack, spot, and stitch).



Recessed Tip

Flush Tips are generally used where a shorter electrical stick-out is used sometimes resulting in shorter/tighter arc lengths. This brings the tip closer to the work piece.



Flush Tip

Protruding Tips are generally used when welding open root pipe or any joint that requires the welder to get into a tight weld joint. However the down side to this is the chance of arcing the tip to the work piece, which could damage front end parts resulting in downtime needed to replace.



Protruding Tip



21 Series



22 Series



HD22 Series

AIR-COOLED STANDARD & HEAVY-DUTY NOZZLES & NOZZLE INSULATORS

Nozzle Style	Bore Diameter (in/mm)	Part No.	Stock No.	Nozzle Design	Nozzle/Contact Tip Relationship
21 SERIES 3-PIECE NOZZLE DESIGN - 0.750" (19,05MM) OUTSIDE DIAMETER					
Thread-On	3/8" (9,5mm)	21-37F	1210-1102	Standard (1)	Flush To 1/16" (1,6mm) Tip Recess
	3/8" (9,5mm)	21-37	1210-1100	Standard (1)	1/8" - 5/32" (3,2mm - 3,97mm) Tip Recess
	3/8" (9,5mm)	21T-37	1210-1300	Tapered (1)	1/8" - 5/32" (3,2mm - 3,97mm) Tip Recess
	3/8" (9,5mm)	21T-37F	1210-1302	Tapered (1)	Flush To 1/16" (1,6mm) Tip Recess
	1/2" (12,7mm)	21-50F	1210-1112	Standard (1)	Flush To 1/16" (1,6mm) Tip Recess
	1/2" (12,7mm)	21-50	1210-1110	Standard (1)	1/8" - 5/32" (3,2mm - 3,97mm) Tip Recess
	5/8" (15,9mm)	21-62F	1210-1122	Standard (1)	Flush To 1/16" (1,6mm) Tip Recess
	5/8" (15,9mm)	21-62	1210-1120	Standard (1)	1/8" - 5/32" (3,2mm - 3,97mm) Tip Recess
22 SERIES FORMED NOZZLE - 0.750" (19,05MM) OUTSIDE DIAMETER					
Slip-On (A)	3/8" (9,5mm)	22-37SS	1220-1101	Standard Short Stop (3)	Adjustable Recess To Protruding
	3/8" (9,5mm)	22T-37SS	1220-1301	Standard Short Stop (3)	
	1/2" (12,7mm)	22-50	1220-1110	Standard	
	1/2" (12,7mm)	22-50SS	1220-1111	Standard Short Stop (3)	
	5/8" (15,9mm)	22-62	1220-1120	Standard	
	5/8" (15,9mm)	22-62SS	1220-1121	Standard Short Stop (3)	
HD22 SERIES 3-PIECE NOZZLE DESIGN - 0.875" (22,2MM) OUTSIDE DIAMETER					
Slip-On (B)	3/8" (9,5mm)	HD22-37	1220-1305	Standard (1)	1/8" - 5/32" (3,2mm - 3,97mm) Tip Recess
	3/8" (9,5mm)	HD22-37F	1220-1310	Standard (1)	Flush To 1/16" (1,6mm) Tip Recess
	1/2" (12,7mm)	HD22-50	1220-1306	Standard (1)	1/8" - 5/32" (3,2mm - 3,97mm) Tip Recess
	1/2" (12,7mm)	HD22-50F	1220-1311	Standard (1)	Flush To 1/16" (1,6mm) Tip Recess
	5/8" (15,9mm)	HD22-62	1220-1307	Standard (1)	1/8" - 5/32" (3,2mm - 3,97mm) Tip Recess
	5/8" (15,9mm)	HD22-62F	1220-1312	Standard (1)	Flush To 1/16" (1,6mm) Tip Recess

Note: (A) - Use with Nozzle Insulator Part No. 32 (Stock No. 1320-1100)
 (B) - Use with HD52 Series Gas Diffusers
 (1) - Self Insulated Nozzles
 (3) - Flush to 1/8" (3,2mm) Tip Recess



23 Series



23T Series



23H Series

AIR-COOLED STANDARD & HEAVY-DUTY NOZZLES & NOZZLE INSULATORS

Nozzle Style	Bore Diameter (in/mm)	Part No.	Stock No.	Nozzle Design	Nozzle/Contact Tip Relationship
23 SERIES 3-PIECE NOZZLE DESIGN - 0.875" (22,2MM) OUTSIDE DIAMETER					
Thread-On	3/8" (9,5mm)	23-37	1230-1100	Standard	1/8" - 5/32" (3,2mm - 3,97mm) Tip Recess
	3/8" (9,5mm)	23-37F	1230-1102	Standard	Flush To 1/16" (1,6mm) Tip Recess
	3/8" (9,5mm)	23T-37	1230-1300	Tapered	1/8" - 5/32" (3,2mm - 3,97mm) Tip Recess
	3/8" (9,5mm)	23T-37F	1230-1302	Tapered	Flush To 1/16" (1,6mm) Tip Recess
	1/2" (12,7mm)	23-50	1230-1110	Standard	1/8" - 5/32" (3,2mm - 3,97mm) Tip Recess
	1/2" (12,7mm)	23-50F	1230-1112	Standard	Flush To 1/16" (1,6mm) Tip Recess
	1/2" (12,7mm)	23H-50	1230-1210	Heavy-Duty	1/8" - 5/32" (3,2mm - 3,97mm) Tip Recess
	5/8" (15,9mm)	23-62	1230-1120	Standard	1/8" - 5/32" (3,2mm - 3,97mm) Tip Recess
	5/8" (15,9mm)	23-62F	1230-1122	Standard	Flush To 1/16" (1,6mm) Tip Recess
	5/8" (15,9mm)	23H-62	1230-1220	Heavy-Duty	1/8" - 5/32" (3,2mm - 3,97mm) Tip Recess
	5/8" (15,9mm)	23H-62F	1230-1222	Heavy-Duty	Flush To 1/16" (1,6mm) Tip Recess
	5/8" (15,9mm)	23-75	1230-1130	Standard	1/8" - 5/32" (3,2mm - 3,97mm) Tip Recess
	3/4" (19,5mm)	23-75F	1230-1132	Standard	1/8" - 5/32" (3,2mm - 3,97mm) Tip Recess
3/4" (19,5mm)	23H-75	1230-1230	Heavy-Duty	1/8" - 5/32" (3,2mm - 3,97mm) Tip Recess	

Note: Self Insulated Nozzles



24A Series



24AT Series



24CT Series

AIR-COOLED STANDARD & HEAVY-DUTY NOZZLES & NOZZLE INSULATORS

Nozzle Style	Bore Diameter (in/mm)	Part No.	Stock No.	Nozzle Design	Nozzle/Contact Tip Relationship
24A SERIES FORMED NOZZLE - 0.750" (19,05MM) OUTSIDE DIAMETER					
Slip-On (A)	3/8" (9,5mm)	24A-37SS	1240-1101	Standard Short Stop (1)	1/8" (3,2mm) Tip Recess
	3/8" (9,5mm)	24AT-37SS	1240-1301	Standard Short Stop (1)	1/8" (3,2mm) Tip Recess
	1/2" (12,7mm)	24A-50	1240-1110	Standard	Adjustable Tip Recess - Tip Protruding
	1/2" (12,7mm)	24A-50SS	1240-1111	Standard Short Stop (1)	1/8" (3,2mm) Tip Recess
	1/2" (12,7mm)	24AH-50	1240-1210	Standard Heavy-Duty	Adjustable Tip Recess - Tip Protruding
	1/2" (12,7mm)	24AH-50SS	1240-1211	Standard Short Stop (1)	1/8" (3,2mm) Tip Recess
	5/8" (15,9mm)	24A-62	1240-1120	Standard	Adjustable Tip Recess - Tip Protruding
	5/8" (15,9mm)	24A-62SS	1240-1121	Standard Short Stop (1)	1/8" (3,2mm) Tip Recess
	5/8" (15,9mm)	24AH-62	1240-1220	Standard Heavy-Duty	Adjustable Tip Recess - Tip Protruding
	5/8" (15,9mm)	24AH-62SS	1240-1221	Standard Short Stop (1)	1/8" (3,2mm) Tip Recess
	3/4" (19,5mm)	24A-75	1240-1130	Standard	Adjustable Tip Recess - Tip Protruding
	3/4" (19,5mm)	24A-75SS	1240-1131	Standard Short Stop (1)	1/8" (3,2mm) Tip Recess
	3/4" (19,5mm)	24AH-75	1240-1230	Standard Heavy-Duty	Adjustable Tip Recess - Tip Protruding
3/4" (19,5mm)	24AH-75SS	1240-1231	Standard Short Stop (1)	1/8" (3,2mm) Tip Recess	
24CT SERIES COURSE THREAD NOZZLE					
Thread-On (B)	3/8" (9,5mm)	24CT-37S	1240-1404	Standard Short Stop (1)	5/32" (3,97mm) Tip Recess
	1/2" (12,7mm)	24CT-50S	1240-1414	Standard Short Stop (1)	5/32" (3,97mm) Tip Recess
	1/2" (12,7mm)	24CT-50F	1240-1412	Tapered	1/16" (1,59mm) Tip Recess
	5/8" (15,9mm)	24CT-62S	1240-1424	Standard Short Stop (1)	5/32" (3,97mm) Tip Recess
	5/8" (15,9mm)	24CT-62F	1240-1422	Tapered	1/16" (1,59mm) Tip Recess
	5/8" (15,9mm)	24CT-62R	1240-1423	Tapered	1/2" (12,7mm) Tip Recess
	3/4" (19,5mm)	24CT-75S	1240-1434	Standard Short Stop (1)	5/32" (3,97mm) Tip Recess
	3/4" (19,5mm)	24CT-75R	1240-1433	Straight	1/2" (12,7mm) Tip Recess
24FN SERIES FINE THREAD NOZZLE					
Thread-On (C)	3/8" (9,5mm)	24FN-37S	1240-1704	Standard Short Stop (1)	5/32" (3,97mm) Tip Recess
	5/8" (15,9mm)	24FN-62S	1240-1724	Standard Short Stop (1)	5/32" (3,97mm) Tip Recess
	5/8" (15,9mm)	24FN-62R	1240-1723	Tapered	1/16" (1,59mm) Tip Recess
	3/4" (19,5mm)	24FN-75S	1240-1734	Standard Short Stop (1)	5/32" (3,97mm) Tip Recess

Note: (A) - Use with Nozzle Insulator Part No. 34A (Stock No. 1340-1100)
 (B) - Use with Nozzle Insulator Part No. 34CT (Stock No. 1340-1400)
 (C) - Use with Nozzle Insulator Part No. 34FN (Stock No. 1340-1401)
 (1) - Flush to 1/8" (3,2mm) Tip Recess



34CT

AIR-COOLED HEAVY-DUTY NOZZLES					
Nozzle Style	Bore Diameter (in/mm)	Part No.	Stock No.	Nozzle Design	Nozzle/Contact Tip Relationship
HD24 SERIES 3-PIECE NOZZLE DESIGN					
Slip-On (A)	1/2" (12,7mm)	HD24L-50	1240-1200	Tapered (1)	1/8" - 5/32" (3,2mm - 3,97mm) Tip Recess
	1/2" (12,7mm)	HD24L-50F	1240-1204	Tapered (1)	Flush To 1/16" (1,6mm) Tip Recess
	1/2" (12,7mm)	HD24-50	1240-1240	Standard (2)	1/8" - 5/32" (3,2mm - 3,97mm) Tip Recess
	1/2" (12,7mm)	HD24-50P	1240-1245	Standard (2)	5/32" (3,97mm) Tip Protruding
	5/8" (15,9mm)	HD24L-62	1240-1201	Tapered (1)	1/8" - 5/32" (3,2mm - 3,97mm) Tip Recess
	5/8" (15,9mm)	HD24L-62F	1240-1205	Tapered (1)	Flush To 1/16" (1,6mm) Tip Recess
	5/8" (15,9mm)	HD24-62	1240-1241	Standard (2)	1/8" - 5/32" (3,2mm - 3,97mm) Tip Recess
	5/8" (15,9mm)	HD24-62F	1240-1236	Standard (2)	Flush To 1/16" (1,6mm) Tip Recess
	3/4" (19,5mm)	HD24L-75	1240-1202	Tapered (1)	1/8" - 5/32" (3,2mm - 3,97mm) Tip Recess
	3/4" (19,5mm)	HD24L-75F	1240-1206	Tapered (1)	Flush To 1/16" (1,6mm) Tip Recess
	3/4" (19,5mm)	HD24-75	1240-1242	Standard (2)	1/8" - 5/32" (3,2mm - 3,97mm) Tip Recess
	3/4" (19,5mm)	HD24-75F	1240-1237	Standard (2)	Flush To 1/16" (1,6mm) Tip Recess
	5/8" (15,9mm)	HD24LB-62	1240-1216	Standard (1) (3)	1/8" - 5/32" (3,2mm - 3,97mm) Tip Recess
	5/8" (15,9mm)	HD24LB-62F	1240-1219	Tapered (1) (3)	Flush To 1/16" (1,6mm) Tip Recess
	3/4" (19,5mm)	HD24LB-75	1240-1217	Tapered (1) (3)	1/8" - 5/32" (3,2mm - 3,97mm) Tip Recess
5/8" (15,9mm)	HD26B-62	1260-1285	Standard (2) (3)	5/32" (3,97mm) Tip Recess	
3/4" (19,5mm)	HD26B-75	1260-1286	Standard (2) (3)	5/32" (3,97mm) Tip Recess	

Note: Self Insulated Nozzles
 (A) - Use with HD54 Series Gas Diffusers
 (2) - 1.125" (28,58mm) Outside Diameter
 (3) - Outer shell made from red brass Alloy 230



PMA24 Series

PULSEMASTER & PULLMASTER AIR-COOLED NOZZLES					
Nozzle Style	Bore Diameter (in/mm)	Part No.	Stock No.	Nozzle Design	Nozzle/Contact Tip Relationship
PMA24 SERIES 3-PIECE NOZZLE DESIGN - 1.000" (25,4MM) OUTSIDE DIAMETER					
Thread-On	1/2" (12,7mm)	PMA24-50F	1260-1710	Straight	Flush To 1/16" (1,6mm)
	1/2" (12,7mm)	PMA24-50	1260-1711	Straight	0.156" (3,9mm) Tip Recess
	5/8" (15,9mm)	PMA24-62F	1260-1712	Straight	Flush to 1/16" (1,6mm)
	5/8" (15,9mm)	PMA24-62	1260-1713	Straight	0.156" (3,9mm) Tip Recess
	5/8" (15,9mm)	PMA24H-62	1260-1720	Straight	0.156" (3,9mm) Tip Recess
	3/4" (19,5mm)	PMA24-75F	1260-1714	Straight	Flush To 1/16" (1,6mm)
	3/4" (19,5mm)	PMA24-75	1260-1715	Straight	0.156" (3,9mm) Tip Recess
	3/4" (19,5mm)	PMA24H-75	1260-1721	Straight	0.156" (3,9mm) Tip Recess

Note: Nozzles are nickel plated



251 Series

AIR-COOLED STANDARD NOZZLES & NOZZLE INSULATORS

Nozzle Style	Bore Diameter (in/mm)	Part No.	Stock No.	Nozzle Design	Nozzle/Contact Tip Relationship
25CT SERIES COURSE THREAD NOZZLE					
Thread-On (A)	1/2" (12,7mm)	25CT-50	1250-1410	Standard	1/8" (3,2mm) Tip Recess
	5/8" (15,9mm)	25CT-62	1250-1420	Standard	1/8" (3,2mm) Tip Recess
	3/4" (19,5mm)	25CT-75	1250-1430	Standard	1/8" (3,2mm) Tip Recess
	3/4" (19,5mm)	25CT-75F	1250-1431	Standard	Tip Flush
251 SERIES 3-PIECE NOZZLE DESIGN - 0.970" (24,6MM) OUTSIDE DIAMETER					
Thread-On	5/8" (15,9mm)	251-62	1250-1120	Standard (1)	5/32" (3,97mm) Tip Recess
	3/4" (19,5mm)	251-75	1250-1130	Standard (1)	5/32" (3,97mm) Tip Recess
26CT SERIES COURSE THREAD NOZZLE					
Thread-On (B)	5/8" (15,9mm)	26CT-62	1260-1420	Standard	1/8" (3,2mm) Tip Recess
	3/4" (19,5mm)	26CT-75	1260-1430	Standard	1/8" (3,2mm) Tip Recess
26I SERIES 3-PIECE NOZZLE DESIGN - 1.187" (30,1MM) OUTSIDE DIAMETER					
Thread-On	5/8" (15,9mm)	26I-62	1260-1120	Standard (1)	1/8" (3,2mm) Tip Recess
	3/4" (19,5mm)	26I-75	1260-1130	Standard (1)	1/8" (3,2mm) Tip Recess
	7/8" (22,23mm)	26I-87	1260-1140	Standard (1)	1/8" (3,2mm) Tip Recess

Note: (A) - Use with Nozzle Insulator Part No. 35CT (Stock No. 1350-1400)
 (B) - Use with Nozzle Insulator Part No. 36CT (Stock No. 1360-1400)
 (1) - Self Insulated Nozzle



21-62-FAS



25CT-125-FAS

AIR-COOLED FLAT ARC SPOT NOZZLES

Nozzle Style	Bore Diameter (in/mm)	Part No.	Stock No.
Thread-On (1)	1/2" (12,7mm)	21-62FAS	1210-1520
Slip-On (A)	5/8" (15,9mm)	22-62FAS	1220-1520
Thread-On (1)	3/4" (19,5mm)	23-75FAS	1230-1530
Slip-On (B)	3/4" (19,5mm)	24A-62FAS	1240-1520
	5/8" (15,9mm)	24A-75FAS	1240-1530
	3/4" (19,5mm)	24A-100FAS	1240-1550
Thread-On (C)	1-1/4" (31,8mm)	25CT-125FAS	1250-1560
	1-5/8" (41,3mm)	25CT-162FAS	1250-1570

Note: (A) - Use with Nozzle Insulator Part No. 32 (Stock No. 1320-1100)
 (B) - Use with Nozzle Insulator Part No. 34A (Stock No. 1340-1100)
 (C) - Use with Nozzle Insulator Part No. 35CT (Stock No. 1350-1400)
 (1) - Self Insulated Nozzle



EL221 Series



EL22CT Series



REL22CT Series

AIR-COOLED ELIMINATOR NOZZLES

Nozzle Style	Bore Diameter (in/mm)	Part No.	Stock No.	Nozzle Design	Nozzle/Contact Tip Relationship
EL221 SERIES 3-PIECE NOZZLE DESIGN - 0.875" (22,2MM) OUTSIDE DIAMETER					
Slip-On (A)	3/8" (9,5mm)	EL221-37	1260-1601	Standard	1/8" - 5/32" (3,2mm - 3,97mm) Tip Recess
	1/2" (12,7mm)	EL221-50	1260-1602	Standard	1/8" - 5/32" (3,2mm - 3,97mm) Tip Recess
	1/2" (12,7mm)	EL221-50F	1260-1612	Standard	Flush To 1/16" (1,6mm) Tip Recess
	1/2" (12,7mm)	EL221-50P	1260-1686	Standard	5/32" (3,97mm) Tip Protruding
	5/8" (15,9mm)	EL221-62	1260-1603	Standard	1/8" - 5/32" (3,2mm - 3,97mm) Tip Recess
	5/8" (15,9mm)	EL221-62F	1260-1613	Standard	Flush To 1/16" (1,6mm) Tip Recess
	5/8" (15,9mm)	EL221-62P	1260-1687	Standard	5/32" (3,97mm) Tip Protruding
	3/4" (19,5mm)	EL221-75	1260-1604	Standard	1/8" - 5/32" (3,2mm - 3,97mm) Tip Recess
EL22CT SERIES 3-PIECE NOZZLE DESIGN - 0.875" (22,2MM) OUTSIDE DIAMETER					
Thread-On (B)	3/8" (9,5mm)	EL22CT-37	1260-1625	Standard	1/8" - 5/32" (3,2mm - 3,97mm) Tip Recess
	3/8" (9,5mm)	EL22CT-37F	1260-1635	Standard	Flush To 1/16" (1,6mm) Tip Recess
	1/2" (12,7mm)	EL22CT-50	1260-1626	Standard	1/8" - 5/32" (3,2mm - 3,97mm) Tip Recess
	1/2" (12,7mm)	EL22CT-50F	1260-1636	Standard	Flush To 1/16" (1,6mm) Tip Recess
	1/2" (12,7mm)	EL22CT-50P	1260-1691	Standard	5/32" (3,97mm) Tip Protruding
	1/2" (12,7mm)	EL22CTB-50	1260-1566	Standard (1)	1/8" - 5/32" (3,2mm - 3,97mm) Tip Recess
	5/8" (15,9mm)	EL22CT-62	1260-1627	Standard	1/8" - 5/32" (3,2mm - 3,97mm) Tip Recess
	5/8" (15,9mm)	EL22CTB-62	1260-1567	Standard (1)	1/8" - 5/32" (3,2mm - 3,97mm) Tip Recess
	5/8" (15,9mm)	EL22CT-62F	1260-1637	Standard	Flush To 1/16" (1,6mm) Tip Recess
	5/8" (15,9mm)	EL22CT-62P	1260-1692	Standard	5/32" (3,97mm) Tip Protruding
	5/8" (15,9mm)	EL22CT-62H	1260-1629	Standard Heavy-Duty	1/8" - 5/32" (3,2mm - 3,97mm) Tip Recess
		3/4" (19,5mm)	EL22CT-75	1260-1628	Standard
REL22 SERIES 3-PIECE NOZZLE DESIGN - 0.875" (22,2MM) OUTSIDE DIAMETER					
Thread-On (C)	3/8" (9,5mm)	REL22CT-37	1220-1250	Straight	5/32" (3,97mm) Tip Recess
	1/2" (12,7mm)	REL22CT-50	1220-1255	Straight	5/32" (3,97mm) Tip Recess
	1/2" (12,7mm)	REL22CT-50F	1220-1256	Straight	Flush To 1/16" (1,6mm) Tip Recess
	1/2" (12,7mm)	REL22CT-50P	1220-1257	Straight	5/32" (3,97mm) Tip Protruding
	5/8" (15,9mm)	REL22CT-62	1220-1260	Straight	5/32" (3,97mm) Tip Recess
	5/8" (15,9mm)	REL22CT-62P	1220-1262	Straight	5/32" (3,97mm) Tip Protruding

Note: Self Insulated Nozzles

(A) - Use with Part No. EL52 (Stock No. 1560-1110) Gas Diffuser

(B) - Use with Part No. EL52CT Series Gas Diffuser

(C) - Nickel plated nozzle - Use with Part No. QTR52 Series Gas Diffusers



EL24I Series



EL24CT Series

AIR-COOLED ELIMINATOR NOZZLES

Nozzle Style	Bore Diameter (in/mm)	Part No.	Stock No.	Nozzle Design	Nozzle/Contact Tip Relationship
EL24I SERIES 3-PIECE NOZZLE DESIGN - 0.875" (22,2MM) OUTSIDE DIAMETER					
Slip-On (A)	3/8" (9,5mm)	EL24I-37	1260-1606	Tapered	1/8" - 5/32" (3,2mm - 3,97mm) Tip Recess
	1/2" (12,7mm)	EL24I-50	1260-1607	Tapered	1/8" - 5/32" (3,2mm - 3,97mm) Tip Recess
	5/8" (15,9mm)	EL24I-62	1260-1608	Tapered	Flush To 1/16" (1,6mm) Tip Recess
	5/8" (15,9mm)	EL24I-62F	1260-1618	Tapered	Flush To 1/16" (1,6mm) Tip Recess
	5/8" (15,9mm)	EL24I-62R	1260-1677	Tapered	3/8" (9,5mm) Tip Recess
	5/8" (15,9mm)	EL24I-62H	1260-1631	Tapered Heavy-Duty	1/8" - 5/32" (3,2mm - 3,97mm) Tip Recess
	5/8" (15,9mm)	EL24I-62HF	1260-1641	Tapered Heavy-Duty	Flush To 1/16" (1,6mm) Tip Recess
	3/4" (19,5mm)	EL24I-75	1260-1609	Tapered	1/8" - 5/32" (3,2mm - 3,97mm) Tip Recess
3/4" (19,5mm)	EL24I-75H	1260-1632	Tapered Heavy-Duty	1/8" - 5/32" (3,2mm - 3,97mm) Tip Recess	
EL24CT SERIES 3-PIECE NOZZLE DESIGN - 0.875" (22,2MM) OUTSIDE DIAMETER					
Thread-On (B)	3/8" (9,5mm)	EL24CT-37	1260-1650	Standard	1/8" - 5/32" (3,2mm - 3,97mm) Tip Recess
	1/2" (12,7mm)	EL24CT-50	1260-1651	Standard	1/8" - 5/32" (3,2mm - 3,97mm) Tip Recess
	1/2" (12,7mm)	EL24CT-50F	1260-1666	Standard	Flush To 1/16" (1,6mm) Tip Recess
	1/2" (12,7mm)	EL24CT-50P	1260-1701	Standard	5/32" (3,97mm) Tip Protruding
	5/8" (15,9mm)	EL24CT-62	1260-1652	Standard	1/8" - 5/32" (3,2mm - 3,97mm) Tip Recess
	5/8" (15,9mm)	EL24CT-62F	1260-1667	Standard	Flush To 1/16" (1,6mm) Tip Recess
	5/8" (15,9mm)	EL24CT-62P	1260-1702	Standard	5/32" (3,97mm) Tip Protruding
	5/8" (15,9mm)	EL24CT-62R	1260-1682	Standard	3/8" (9,5mm) Tip Recess
	5/8" (15,9mm)	EL24CT-62H	1260-1657	Standard Heavy-Duty	1/8" - 5/32" (3,2mm - 3,97mm) Tip Recess
	3/4" (19,5mm)	EL24CT-75	1260-1653	Standard	1/8" - 5/32" (3,2mm - 3,97mm) Tip Recess
	3/4" (19,5mm)	EL24CT-75H	1260-1658	Standard Heavy-Duty	1/8" - 5/32" (3,2mm - 3,97mm) Tip Recess
REL24 SERIES 3-PIECE NOZZLE DESIGN - 1.000" (25,4MM) OUTSIDE DIAMETER					
Thread-On (C)	1/2" (12,7mm)	REL24CT-50	1240-1305	Straight	5/32" (3,97mm) Tip Recess
	1/2" (12,7mm)	REL24CT-50F	1240-1315	Straight	Flush To 1/16" (1,6mm) Tip Recess
	1/2" (12,7mm)	REL24CT-50P	1240-1310	Straight	5/32" (3,97mm) Tip Protruding
	5/8" (15,9mm)	REL24CT-62	1240-1306	Straight	5/32" (3,97mm) Tip Recess
	5/8" (15,9mm)	REL24CT-62F	1240-1316	Straight	Flush To 1/16" (1,6mm) Tip Recess
	5/8" (15,9mm)	REL24CT-62FL	1240-1318	Straight	5/32" (3,97mm) Tip Protruding
	5/8" (15,9mm)	REL24CT-62P	1240-1311	Straight	5/32" (3,97mm) Tip Recess
	3/4" (19,5mm)	REL24CT-75	1240-1307	Straight	5/32" (3,97mm) Tip Recess
	3/4" (19,5mm)	REL24CT-75F	1240-1317	Straight	Flush To 1/16" (1,6mm) Tip Recess
	3/4" (19,5mm)	REL24CT-75P	1240-1312	Straight	5/32" (3,97mm) Tip Protruding

Note: Self Insulated Nozzles

(A) - Use with Part No. EL54 Series Gas Diffusers

(B) - Use with Part No. EL52CT Series Gas Diffusers

(C) - Nickel plated nozzle – Use with Part No. QTR56-SW Gas Diffuser



WC26 Series

WATER-COOLED NOZZLES

Nozzle Style	Bore Diameter (in/mm)	Part No.	Stock No.	Nozzle Design	Nozzle/Contact Tip Relationship
--------------	-----------------------	----------	-----------	---------------	---------------------------------

SW24 SERIES

Thread-On (A)	5/8" (15,9mm)	SW24-15	1244-1026	Standard	1/8" - 5/32" (3,2mm - 3,97mm) Tip Recess
	11/16" (17mm)	SW24-17	1244-1025	Standard	1/8" - 5/32" (3,2mm - 3,97mm) Tip Recess
	13/16" (21mm)	SW24-21	1244-1027	Standard	1/8" - 5/32" (3,2mm - 3,97mm) Tip Recess

WC26 SERIES - STANDARD 3-PIECE NOZZLE DESIGN - 1.062" (30MM) OUTSIDE DIAMETER

Thread-On (B)	5/8" (15,9mm)	WC26-62	1264-1120	Standard	1/8" (3,2mm) Tip Recess
	5/8" (15,9mm)	WC26-62R	1264-1123	Standard	1/4" (6,4mm) Tip Recess
	3/4" (19,5mm)	WC26-75	1264-1130	Standard	1/8" (3,2mm) Tip Recess
	3/4" (19,5mm)	WC26-75F	1264-1132	Standard	Tip Flush
	3/4" (19,5mm)	WC26-75R	1264-1133	Standard	1/4" (6,4mm) Tip Recess

WC26 SERIES - ELIMINATOR 3-PIECE NOZZLE DESIGN - 1.062" (30MM) OUTSIDE DIAMETER

Thread-On (C)	1/2" (12,7mm)	WC26-50EL	1262-1031	Standard	1/8" (3,2mm) Tip Recess
	5/8" (15,9mm)	WC26-62EL	1262-1032	Standard	1/8" (3,2mm) Tip Recess
	5/8" (15,9mm)	WC26-62ELF	1262-1037	Standard	Tip Flush
	3/4" (19,5mm)	WC26-75EL	1262-1033	Standard	1/8" (3,2mm) Tip Recess
	3/4" (19,5mm)	WC26-75ELF	1262-1038	Standard	5/32" (3,97mm) Tip Protruding
	3/4" (19,5mm)	WC26-75ELR	1262-1042	Standard	Tip Flush

RWC26 SERIES

Thread-On (A)	1/2" (12,7mm)	RWC26-50	1264-1430	Standard (1)	1/8" - 5/32" (3,2mm - 3,97mm) Tip Recess
	1/2" (12,7mm)	RWC26-50F	1264-1440	Standard (1)	Flush To 1/16" (1,6mm) Tip Recess
	5/8" (15,9mm)	RWC26-62	1264-1431	Standard (1)	1/8" - 5/32" (3,2mm - 3,97mm) Tip Recess
	5/8" (15,9mm)	RWC26-62F	1264-1441	Standard (1)	Flush To 1/16" (1,6mm) Tip Recess
	5/8" (15,9mm)	RWC26-62P	1264-1436	Standard (1)	1/8" - 3/16" (3,2mm - 4,7mm) Tip Protruding
	5/8" (15,9mm)	RWC26-75	1264-1432	Standard (1)	1/8" - 5/32" (3,2mm - 3,97mm) Tip Recess
	3/4" (19,5mm)	RWC26-75F	1264-1442	Standard (1)	Flush To 1/16" (1,6mm) Tip Recess
	3/4" (19,5mm)	RWC26-75P	1264-1437	Standard (1)	1/8" - 3/16" (3,2mm - 4,7mm) Tip Protruding

Note: (A) - Use with Insulator Ring Part No. SW64-2 (Stock No. 2044-1020)
 (B) - Use with Spatter Shield Part No. WC26-1 (Stock No. 1264-1009)
 (C) - Use with Eliminator style contact tips
 (1) - Nickel plated nozzles

PULSEMASTER WATER-COOLED NOZZLES

Nozzle Style	Bore Diameter (in/mm)	Part No.	Stock No.	Nozzle Design	Nozzle/Contact Tip Relationship
--------------	-----------------------	----------	-----------	---------------	---------------------------------

PMW24 SERIES

Thread-On	1/2" (12,7mm)	PMW24-50F	1260-1735	Standard	Flush To 1/2" (12,5mm)
	1/2" (12,7mm)	PMW24-50	1260-1736	Standard	0.156" (3,9mm) Tip Recess
	5/8" (15,9mm)	PMW24-62F	1260-1737	Standard	Flush to 5/8" (16mm)
	5/8" (15,9mm)	PMW24-62	1260-1738	Standard	0.156" (3,9mm) Tip Recess
	3/4" (19,5mm)	PMW24-75F	1260-1739	Standard	Flush To 3/4" (19mm)
	3/4" (19,5mm)	PMW24-75	1260-1740	Standard	0.156" (3,9mm) Tip Recess

Note: Nozzles are nickel plated



52HD Series



52 Series



54A Series



55 Series

AIR-COOLED STANDARD GAS DIFFUSERS

Part No.	Stock No.	Material	Contact Tip	Nozzle
MINI-MIG SERIES				
35-50	1500-1100	Brass	11 Series	21 Series
51 SERIES				
51	1510-1101	Brass	11 Series	21 Series
EL51	1510-1105	Brass	EL11 Series	REL21 Series
QTRW53-11	1525-1141	Brass	11 Series	REL21 Series
52 SERIES				
52	1520-1101	Brass	14 Series	22 Series
52-23	1520-1100	Brass	14 Series	22 Series
52FN	1520-1102	Brass	14 Series	24A or 23 Series
MS52T-11	1520-1133	Brass	11 Series	22 Series
52HD-11	1520-1103	Brass	11 Series	HD22 Series
54 SERIES				
54P	1540-1103	Copper	14 Series	24A, 24CT, & 23 Series
54A	1540-1100	Brass	14 Series	24A, 24CT, & 23 Series
54A-16	1540-1104	Brass	16S Series	24A, 24CT, & 23 Series
54AL	1540-1110	Brass	16S Series	24A, 24CT, & 23 Series
HD54-14	1540-1135	Brass	14 Series	HD24 Series
HD54-16	1540-1136	Brass	16S Series	HD24 Series
HD54-EL	1540-1137	Brass	EL16 Series	HD24 Series
55 SERIES				
55SW (1)	1550-1101	Copper	15H Series	25CT Series
55 (2)	1550-1100	Copper	15H Series	25CT Series
55H (3)	1550-1102	Copper	15H Series	25CT Series
55S-SW (1)	1550-1110	Copper	16S Series	25I Series
55S-H (2) (3)	1550-1111	Copper	16S Series	25I Series
55S-SWL (4)	1550-1120	Copper	16S Series	25I Series
56 SERIES				
56S-SW	1560-1100	Copper	16S Series	26CT or 26I
56S-H	1560-1101	Copper	16S Series	26CT or 26I

Note: (1) - Use with 45-3545, 45-116, and 45N-3545 Conduit Liners
 (2) - Use with 45-564, and 45N-116 Conduit Liners
 (3) - Use with 45H-332, 45H-764, and 45-18 Conduit Liners
 (4) - Use with 45-3545, 45-116, and 45N-3545 Conduit Liners. Tip/Nozzle relationship will be 1/8" tip recess



EL52



EL54CT-SW



HD52-11

AIR-COOLED ELIMINATOR® STYLE GAS DIFFUSERS

Part No.	Stock No.	Material	Contact Tip	Nozzle
EL52 SERIES				
EL52 (3)	1560-1110	Brass	EL16 Series	EL22I Series
EL52CT (3)	1560-1109	Brass	EL16 Series	EL22CT Series
EL52CT-14 (3)	1560-1106	Brass	14 Series	EL22CT Series
EL52CT-16 (3)	1560-1107	Brass	16S Series	EL22CT Series
HD52-11 (3)	1520-1130	Brass	11 Series	HD22 Series
EL54 SERIES				
EL54-SW (1) (4)	1560-1114	Brass	EL16 Series	EL24I Series
EL54-H (2) (4)	1560-1115	Brass	EL16 Series	EL24I Series
EL54CT-SW (1) (4)	1560-1116	Brass	EL16 Series	EL24CT Series
EL54CT-H (2) (4)	1560-1117	Brass	EL16 Series	EL24CT Series

- Note: (1) - Use with 45-3545, 45-116, and 45N-3545 Conduit Liners
 (2) - Use with 45-564, 45N-116, 45H-332, 45H-764, and 45-18 Conduit Liners
 (3) - Replacement O-ring for EL52 Series Gas Diffuser use Part No. EL52-1 (Stock No. 1560-1108)
 (4) - Replacement O-ring for EL54 Series Gas Diffuser use Part No. EL54-10 (Stock No. 1560-1121)



WC56EL-H



QTRW56-SW



WC56A-SW

WATER-COOLED STYLE GAS DIFFUSERS

Part No.	Stock No.	Material	Contact Tip	Nozzle
400 AMP				
SW54-16S	1540-1115	Brass	16S Series	SW24 Series
SW54-EL	1540-1116	Brass	EL16 Series	SW24 Series
600 AMP				
WC56A-SW	1564-1145	Brass	16S Series	WC26 or RWC26 Series
WC56A-H	1564-1144	Brass	16S Series	WC26 or RWC26 Series
WC56EL-SW	1560-1146	Brass	EL16 Series	WC26EL or RWC26 Series
WC56EL-H	1560-1147	Brass	EL16 Series	WC26EL or RWC26 Series
QTRW56-SW	1560-1125	Brass	16S Series	WC26 or RWC26 Series
QTRW56-H	1560-1126	Brass	16S Series	WC26 or RWC26 Series

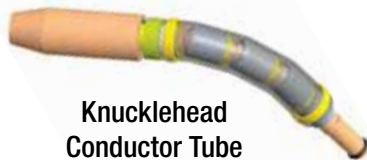
KNUCKLEHEAD FLEXIBLE CONDUCTOR TUBES

BEND UP TO AN 80° ANGLE

- Specially engineered to bend while minimizing restrictions on wire feeding
- Get that same consistent angle and firm feel that any comparable bent rigid tube offers
- Bend to the right feel and comfort. The engineers at Tweco have designed the Knucklehead™ to work with the following Tweco MIG guns: Professional Spray Master® Series, Professional Choice No. Series, Professional Eliminator® Series and Standard WeldSkill® Series.



SprayMaster
with Knucklehead
Conductor Tube



Knucklehead
Conductor Tube



*Leading competitor
at only 348 cycles*

ENGINEERED TO LAST LONGER



Patent Pending mechanical connections engineered to last 50x longer than any other design on the market today. Proven in heavy duty field trials the Knucklehead flexible conductor tube is rugged and flexible enough to be used everyday. It makes difficult welding applications easier.

- Improved weld quality
- Increased productivity
- Less welder fatigue
- Improves the ergonomics of any MIG Gun
- Lasts longer than any design on the market today
- Eliminates downtime caused by changing conductor tubes

Each connector allows for approximately 20° of bend. Two models are offered in 3 or 4 connector designs. Each three-connector design allows a maximum of 60° of bend and each four-connector design allows a maximum of 80° of bend.

Extended reach Knucklehead conductor tubes are also available designated with "LR" on the end of the part no.

HEAVY DUTY PERFORMANCE

EVEN ON YOUR 80% DUTY CYCLE GUNS

KNUCKLEHEAD CONDUCTOR TUBES						
Amp/Model	Bend Angle	Standard Cons.	Eliminator Cons.	Long Reach (2" longer)	Part Number	Stock Number
PROFESSIONAL SPRAY MASTER® SERIES						
250	60°	x			MS62SFLX3-60	1620-1341
	80°	x			MS62SFLX4-80	1620-1342
350	60°	x			MS63SFLX3-60	1630-1197
	80°	x			MS63SFLX4-80	1630-1198
450	60°	x			MS64SFLX3-60	1640-1307
	80°	x			MS64SFLX4-80	1640-1308
	60°	x		x	MS64SFLX3-60LR	1640-1309
	80°	x		x	MS64SFLX4-80LR	1640-1310
PROFESSIONAL CHOICE NO. SERIES						
Mini	80°	x			3560SFLX4-80	1600-1141
No. 1	80°	x			61SFLX4-80	1610-1105
No. 2	60°	x			62SFLX3-60	1620-1105
	80°	x			62SFLX4-80	1620-1106
No. 3	60°	x			64SFLX3-60	1640-1112
No. 4	80°	x			64SFLX4-80	1640-1113
	60°	x		x	64SFLX3-60LR	1640-1121
	80°	x		x	64SFLX4-80LR	1640-1122
PROFESSIONAL ELIMINATOR® SERIES						
250	60°		x		EL62SFLX3-60	1620-1115
	80°		x		EL62SFLX4-80	1620-1116
450	60°		x		EL64SFLX3-60	1640-1143
	80°		x		EL64SFLX4-80	1640-1144
	80°		x	x	EL64SFLX4-80LR	1640-1149
STANDARD WELDSKILL® SERIES						
250	60°	x			62SFLX3-60	1620-1105
	80°	x			62SFLX4-80	1620-1106
400	60°	x			64SFLX3-60	1640-1112
	80°	x			64SFLX4-80	1640-1113
	60°	x		x	64SFLX3-60LR	1640-1121
	80°	x		x	64SFLX4-80LR	1640-1122

Outer Jacket Repair Kit
 250 Amp - Part No. FLXSJ-RK (Stock No. 1620-1345)
 350/450 Amp - Part No. FLXLJ-RK (Stock No. 1640-1385)
 (Repair Kits include the neoprene outer jacket and stainless steel straps)



64A-4EX

Rigid Conductor Tubes Extensions FOR TRADITIONAL STYLE GUNS

CONDUCTOR TUBE EXTENSIONS				
No 3 & 4	No. 5		No. 3 & 4	No. 5
Straight - 180			Bent	
64A-4EX 1640-1301	65-4EX 1650-1301	Extension 45°	64EX-45 1640-1311	65EX-45 1650-1311
64A-6EX 1640-1302	65-6EX 1650-1302	Extension 60°	64EX-60 1640-1312	65EX-60 1650-1312
64A-8EX 1640-1303	65-8EX 1650-1303	Extension 80°	N/A	N/A

MIG Welding Consumables

PROFESSIONAL CONDUCTOR TUBES								
Series	Part No.	Stock No.	Outer Jacket Material	Back End Threads	Front End Threads	Radius		
						60	45	80
MINI-MIG	35-60-60 35-60-45 35-60-80	1600-1102 1600-1101 1600-1103	Neoprene Rubber	O.D. M12 x 1.5-6g	I.D. M9 x 1.25-6g	2-1/4"	1-3/4"	2-1/4"
Professional No. 1	61-60 61-45 61-180	1610-1102 1610-1101 1610-1104	Neoprene Rubber	N/A	I.D. M10 x 1.5-6H	2-1/2"	3-1/8"	
Professional No. 2	62J-60 62J-45 62J-180	1620-1301 1620-1300 1620-1303	Metal	I.D. 3/8"-24 UNF-2B	I.D. 3/8"-24 UNF-2B	3"	3"	
	62A-60 62A-45 62A-180	1620-1102 1620-1101 1620-1104	Fiber	I.D. 3/8"-24 UNF-2B	I.D. 3/8"-24 UNF-2B	2"	2"	
	62ELJ-60 62ELJ-80 62ELJ-180	1620-1306 1620-1307 1620-1308	Metal	I.D. 3/8"-24 UNF-2B	I.D. M11 x 1.5-6H	3"		3"
Professional No. 3	63J-60 63J-45 63J-80 63J-180	1630-1111 1630-1110 1630-1112 1630-1113	Metal	I.D. 3/8"-24 UNF-2B	I.D. 3/8"-24 UNF-2B O.D. 9/16"-18UNF-2A	3"	3"	3"
	63ELJ-60 63ELJ-180	1630-1116 1630-1118	Metal	I.D. 3/8"-24 UNF-2B	I.D. M11 x 1.5-6H	3"		3"
Professional No. 4	64J-60 64J-45	1640-1106 1640-1105	Metal	I.D. 3/8"-24 UNF-2B	I.D. 3/8"-24 UNF-2B O.D. 9/16"-18UNF-2A	3"	3"	
	64A-60 64A-45 64A-80 64A-180	1640-1102 1640-1101 1640-1103 1640-1104	Fiber	I.D. 3/8"-24 UNF-2B	I.D. 3/8"-24 UNF-2B O.D. 9/16"-18UNF-2A	3"	3"	3"
	64ELJ-60 64ELJ-45 64ELJ-80 64ELJ-180	1640-1117 1640-1116 1640-1118 1640-1119	Metal	I.D. 3/8"-24 UNF-2B	I.D. M12 x 1.5-6H	3"	3"	3"
	65J-60 65J-45 65J-80 65J-180	1650-1111 1650-1110 1650-1112 1650-1113	Metal	I.D. 7/16"-20 UNF-2B	I.D. 7/16"-20 UNF-2B O.D. 5/8"-18 UNF-2A	5"	5"	5"
Professional No. 5	65H-60-3R	1652-1202	Thermo Flex	I.D. 7/16"-20 UNF-2B	I.D. 7/16"-20 UNF-2B O.D. M17 x 2.0-6G	3"		
	65H-45-5R 65H-80-5R	1652-1101 1652-1103	Thermo Flex	I.D. 7/16"-20 UNF-2B	I.D. 7/16"-20 UNF-2B O.D. M17 x 2.0-6G		5"	5"
Professional No. 6	66J-60 66J-45 66J-80	1660-1826 1660-1825 1660-1827	Metal	I.D. 7/16"-20 UNF-2B	I.D. M12 x 1.5 6H O.D. M17 x 2.0-6G	5"	5"	5"
	66J60-3R 66J80-3R	1660-1821 1660-1822	Metal	I.D. 7/16"-20 UNF-2B	I.D. M12 x 1.5-6H O.D. M17 x 2.0-6G	3"		3"
	66ELJ-60 66ELJ-80	1660-1831 1660-1832	Metal	I.D. 7/16"-20 UNF-2B	I.D. M12 x 1.5-6H O.D. M17 x 2.0-6G	5"		5"
Spray Master™ 250	MS63-60S MS63-45S	1630-1196 1630-1195	Metal	N/A	I.D. M11 x 1.5-6H	2"	2"	
	MS63-60 MS63-45 MS63-180	1630-1189 1630-1188 1630-1187	Metal	N/A	I.D. M11 x 1.5-6H	3"	3"	
	MS62A-60	1620-1340	Fiber	N/A	I.D. M11 x 1.5-6H	2"		

PROFESSIONAL CONDUCTOR TUBES						Radius		
Series	Part No.	Stock No.	Outer Jacket Material	Back End Threads	Front End Threads	60	45	80
Spray Master™ 350	MS63-60	1630-1189	Metal		I.D. M11 x 1.5-6H	3"	3"	
	MS63-45	1630-1188						
	MS63-180	1630-1187						
Spray Master 450	MS64H-60	1640-1319	Metal		I.D. 3/8"-24 UNF-2B O.D. 9/16"-18UNF-2A	3"	3"	
	MS64H-45	1640-1318						
	MS64H-180	1640-1314						
	* MS64H-60LM * MS64H-45LM	1640-1317 1640-1323						
	** MS64-60 ** MS64-45	1640-1340 1640-1341	Metal		I.D. M12 x 1.5-6H	3"	3"	
Compact Eliminator® 250	EL63J-60	1630-1137	Metal		I.D. M11 x 1.5-6H	3"	3"	
	EL63J-45	1630-1136						
Compact Eliminator 450	EL64J-60	1640-1137	Metal		I.D. M12 x 1.5-6H	3"	3"	
	EL64J-45	1640-1136						
	EL64J-180	1640-1135						
	EL64-60 EL64-45	1640-1110 1640-1111	Fiber		I.D. M12 x 1.5-6H	2-1/4"	2-1/4"	
Standard Eliminator 450	EL64J-60	1640-1137	Metal		I.D. M12 x 1.5-6H	3"	3"	
	EL64J-45	1640-1136						
	EL64J-180	1640-1135						
	EL64-60 EL64-45	1640-1110 1640-1111	Fiber		I.D. M12 x 1.5-6H	2-1/4"	2-1/4"	
TUFF-N-LITE 350	64TL-60	1635-1031	Fiber		I.D. 3/8"-24 UNF-2B O.D. 9/16"-18UNF-2A	3"	3"	
	64TL-45	1635-1030						
SUPRA XT (SEHD)	SE64J-60	1640-1347	Metal	O.D. 9/16"-18 UNF-2A	I.D. 3/8"-24 UNF-2B O.D. 9/16"-18UNF-2A	3"	3"	
	SE64J-45	1640-1346						
SUPRA XT - SEL 450	SE64J-60 SE64J-45 SE64J-180	1640-1347 1640-1346 1640-1345	Metal	O.D. 9/16"-18UNF-2A	I.D. M12 x 1.5-6H	3"	3"	
PulseMaster 350 & 450 (Air-cooled)	PMA64EL-45	1642-1130	Metal		I.D. M12 x 1.5-6H		3"	
PulseMaster 400 & 500 (Water-cooled)	PMW64-45	1644-2925	Metal		I.D. 3/8"-16 UNC-2B		4"	
SSG Spool	PMP64EL-180 PMP64EL-30	1642-1140 1642-1141	Metal		I.D. M12 x 1.5-6H		3" (30°)	
PMP Push/Pull	PMP64EL-180 PMP64EL-30	1642-1140 1642-1141	Metal		I.D. M12 x 1.5-6H		3" (30°)	
Smoke Master 250	S62-60 S62-45	2020-2006 2020-2011	Powder Coat	O.D. M11 x 1.5-6G	I.D. M11 x 1.5-6H	1.5"	1.5"	
Smoke Master 450	S64-60	1046-2258	Teflon	I.D. M12 x 1.5-6G	I.D. M11 x 1.5-6H	3"		
FLUXCORED 350	64FC-45	1641-1126	Thermo Flex		I.D. 5/16"-18 UNC-2B O.D. 1/2"-13 UNC-2A	3.1"	3.1"	
	64FC-60	1641-1127						
FLUXCORED 450	66FC-45	1661-1126	Thermo Flex		I.D. 3/8"-16 UNC-2B O.D. 5/8"-11 UNC-2A	3.6"	3.6"	
	66FC-60	1661-1127						

N/A - Not Available

* Long reach conductor tube – 2" longer than standard

** Accepts EL54 Series Gas Diffusers

CONDUIT LINERS FOR USE WITH STEEL WELDING WIRES							
Wire Size in/mm	Part No.	Stock No.	Description	Wire Size in/mm	Part No.	Stock No.	Description
160 AMP				500-650 AMP			
.023" (0,6mm)	23-40-15	1400-1123	Steel Wound 15ft. (5M) Long	.035" - .045" (0,9mm - 1,2mm)	45-3545-15	1450-1103	Steel Wound 15ft. (5M) Long
.030" - .035" (0,8mm - 0,9mm)	35-40-15	1400-1133	Steel Wound 15ft. (5M) Long	.035" - .045" (0,9mm - 1,2mm)	45-3545-25	1450-1105	Steel Wound 25ft. (8M) Long
.030" - .035" (0,8mm - 0,9mm)	35-40-20	1400-1134	Steel Wound 20ft. (6M) Long	.052" - 1/16" (1,3mm - 1,6mm)	45-116-15	1450-1113	Steel Wound 15ft. (5M) Long
.040" - .045" (1,0mm - 1,2mm)	45-40-15	1400-1143	Steel Wound 15ft. (5M) Long	.052" - 1/16" (1,3mm - 1,6mm)	45-116-25	1450-1115	Steel Wound 25ft. (8M) Long
180 - 250 AMP				5/64" (2,0mm)	45-564-15	1450-1123	Steel Wound 15ft. (5M) Long
.023" (0,6mm)	42-23-15	1420-1103	Steel Wound 15ft. (5M) Long	5/64" (2,0mm)	45-564-25	1450-1125	Steel Wound 25ft. (8M) Long
.030" - .035" (0,8mm - 0,9mm)	42-3035-15	1420-1113	Steel Wound 15ft. (5M) Long	3/32" (2,4mm)	45H-332-15	1450-1133	Steel Wound 15ft. (5M) Long
.030" - .035" (0,8mm - 0,9mm)	42-3035-25	1420-1115	Steel Wound 25ft. (8M) Long	7/64" (2,8mm)	45H-764-15	1450-1143	Steel Wound 15ft. (5M) Long
.040" - .045" (1,0mm - 1,2mm)	42-4045-15	1420-1123	Steel Wound 15ft. (5M) Long	1/8" (3,2mm)	45-18-15	1450-1153	Steel Wound 15ft. (5M) Long
.040" - .045" (1,0mm - 1,2mm)	42-4045-25	1420-1125	Steel Wound 25ft. (8M) Long				
300 - 450 AMP							
.035" - .045" (0,9mm - 1,2mm)	44-3545-15	1440-1103	Steel Wound 15ft. (5M) Long				
.035" - .045" (0,9mm - 1,2mm)	44-3545-25	1440-1105	Steel Wound 25ft. (8M) Long				
.052" - 1/16" (1,3mm - 1,6mm)	44-116-15	1440-1113	Steel Wound 15ft. (5M) Long				
.052" - 1/16" (1,3mm - 1,6mm)	44-116-25	1440-1115	Steel Wound 25ft. (8M) Long				
5/64" (2,0mm)	44-564-15	1440-1123	Steel Wound 15ft. (5M) Long				
5/64" (2,0mm)	44-564-25	1440-1125	Steel Wound 25ft. (8M) Long				
3/32" (2,4mm)	44-332-15	1440-1127	Steel Wound 15ft. (5M) Long				



42-3035-15

CONDUIT LINERS FOR USE WITH ALUMINUM WELDING WIRES

Wire Size in/mm	Part No.	Stock No.	Description
160 AMP			
.030" - .035" (0,8mm - 0,9mm)	35TF-40-10	1400-1031	Teflon 10ft. (3M) Long
.040" - 3/64" (1,0mm - 1,2mm)	45TF-40-10	1400-1041	Teflon 10ft. (3M) Long
180 - 250 AMP			
.030" - 3/64" (0,8mm - 1,2mm)	42N-3545-15	1420-1003	Teflon 15ft. (5M) Long
300 - 450 AMP			
.030" - 3/64" (0,8mm - 1,2mm)	44N-3545-15	1440-1003	Nylon 15ft. (5M) Long
1/16" (1,6mm)	44N-116-15	1440-1012	Nylon 15ft. (5M) Long

Wire Size in/mm	Part No.	Stock No.	Description
500 - 650 AMP			
.030" - 3/64" (0,8mm - 1,2mm)	45N-3545-15	1450-1003	Wire Nylon Wrap 15ft. (5M) Long
1/16" (1,6mm)	45N-116-15	1450-1013	Wire Nylon Wrap 15ft. (5M) Long

PULSEMASTER MIG GUN CONDUIT LINERS FOR USE WITH ALUMINUM/STEEL WELDING WIRES

Wire Size in/mm	Part No.	Stock No.	Description
.035" - .045" (0,9mm - 1,2mm)	44PTF-3545-12	1440-1930	Teflon 12ft. (4M) Long
.035" - .045" (0,9mm - 1,2mm)	44PTF-3545-15	1440-1931	Teflon 15ft. (5M) Long
.052" - 1/16" (1,3mm - 1,6mm)	44PTF-116-12	1440-1932	Teflon 12ft. (4M) Long
.052" - 1/16" (1,3mm - 1,6mm)	44PTF-116-15	1440-1933	Teflon 15ft. (5M) Long
Max .045" (1,2mm)	44JT-3545	1644-1088	Bronze Jump Liner 10-1/4" (260.4mm) Long
Max .062" (1,6mm)	44JT-116	1644-1086	Bronze Jump Liner 10-1/4" (260.4mm) Long

PULLMASTER MIG GUN CONDUIT LINERS FOR USE WITH ALUMINUM/STEEL WELDING WIRES

Wire Size in/mm	Part No.	Stock No.	Description
3/64" - 1/16" (1,2mm - 1,6mm)	PMP44-116-33	1441-1125	Steel Wrapped Nylatron 33ft. (10M) Long
3/64" - 1/16" (1,2mm - 1,6mm)	PMP44-116-50	1441-1126	Steel Wrapped Nylatron 50ft. (15M) Long
.035" - .045" (0,9mm - 1,2mm)	PMP44-3545-33	1441-1127	Steel Wrapped Nylatron 33ft. (10M) Long
.035" - .045" (0,9mm - 1,2mm)	PMP44-3545-50	1441-1128	Steel Wrapped Nylatron 50ft. (15M) Long
3/64" - 1/16" (1,2mm - 1,6mm)	PMPS44-116-33	1441-1129	Steel Wound 33ft. (10M) Long
3/64" - 1/16" (1,2mm - 1,6mm)	PMPS44-116-50	1441-1130	Steel Wound 50ft. (15M) Long
.035" - .045" (0,9mm - 1,2mm)	PMPS44-3545-33	1441-1131	Steel Wound 33ft. (10M) Long
.035" - .045" (0,9mm - 1,2mm)	PMPS44-3545-50	1441-1132	Steel Wound 50ft. (15M) Long
1/16" (1,6mm)	PMP-44FLX-116	1644-1095	Teflon Jump Liner for Flex Tube
1/16" (1,6mm)	PMP-44PTF-116	1644-1096	Teflon Jump Liner for Rigid Tube
1/16" (1,6mm)	PMP-44-116	1644-1097	Bronze Jump Liner

R44 Series & R45 Series Conduit Liners

- Tapered lead in angle on the machined conduit stop making the transition of the welding wire into the MIG gun smoother
- Tin/Zinc plated wire

CONDUIT LINERS FOR USE WITH STEEL WELDING WIRES

Wire Size in/mm	Part No.	Stock No.	Description
300 - 450 AMP (INCLUDING NO. 5 EURO-KWIK SERIES)			
.035" - .045" (0,9mm - 1,2mm)	R44-3545-1	1440-1223	Steel Wound 1ft. (0,3M) Long
.035" - .045" (0,9mm - 1,2mm)	R44-3545-4	1440-1224	Steel Wound 4ft. (1,2M) Long
.035" - .045" (0,9mm - 1,2mm)	R44-3545-8	1440-1225	Steel Wound 8ft. (2,4M) Long
.035" - .045" (0,9mm - 1,2mm)	R44-3545-15	1440-1226	Steel Wound 15ft. (5M) Long
.052" - 1/16" (1,3mm - 1,6mm)	R44-116-4	1440-1229	Steel Wound 4ft. (1,2M) Long
.052" - 1/16" (1,3mm - 1,6mm)	R44-116-8	1440-1230	Steel Wound 8ft. (2,4M) Long
.052" - 1/16" (1,3mm - 1,6mm)	R44-116-15	1440-1231	Steel Wound 15ft. (5M) Long

Wire Size in/mm	Part No.	Stock No.	Description
500 - 650 AMP			
.035" - .045" (0,9mm - 1,2mm)	R45-3545-1	1450-1023	Steel Wound 1ft. (0,3M) Long
.035" - .045" (0,9mm - 1,2mm)	R45-3545-4	1450-1024	Steel Wound 4ft. (1,2M) Long
.035" - .045" (0,9mm - 1,2mm)	R45-3545-8	1450-1025	Steel Wound 8ft. (2,4M) Long
.035" - .045" (0,9mm - 1,2mm)	R45-3545-15	1450-1026	Steel Wound 15ft. (5M) Long
.052" - 1/16" (1,3mm - 1,6mm)	R45-116-4	1450-1029	Steel Wound 4ft. (1,2M) Long
.052" - 1/16" (1,3mm - 1,6mm)	R45-116-8	1450-1030	Steel Wound 8ft. (2,4M) Long
.052" - 1/16" (1,3mm - 1,6mm)	R45-116-15	1450-1031	Steel Wound 15ft. (5M) Long

CONDUIT LINERS FOR USE WITH ALUMINUM WELDING WIRES

Wire Size in/mm	Part No.	Stock No.	Description
300 - 450 AMP			
1/16" (1,6mm)	R44WN-116-8	1440-1046	Wire Nylon Wrap 8ft. (2,4M) Long

Wire Size in/mm	Part No.	Stock No.	Description
500 - 650 AMP			
.035" - .045" (0,9mm - 1,2mm)	R45WN-3545-8	1450-1042	Wire Nylon Wrap 8ft. (2,4M) Long
1/16" (1,6mm)	R45WN-116-8	1450-1044	Wire Nylon Wrap 8ft. (2,4M) Long
1/16" (1,6mm)	R45WN-116-15	1450-1045	Wire Nylon Wrap 15ft. (5M) Long

FOR USE WITH ALUMINUM WELDING WIRES

Wire Size in/mm	Part No.	Stock No.	Description
1/16" (1,6mm)	AWC44-116	1644-1085	Bronze Jump Liner



150A

WeldSkill 150 Amp MIG Guns

- 150 amp air-cooled
- 60% duty cycle – CO₂ gas
- Metal jacketed conductor tube
– 60° @ 2-1/4" Radius
- Front & rear spring strain relief

TWECO* STYLE REAR CONNECTOR				Front End Consumables		
Wire Size	Length	Part No.	Stock No.	Nozzle	Diffuser	Contact Tip
.035" (0,9mm)	15 ft. (5M)	WM150-15-3035	1017-1032	WS21-50	WS51	WS11-35

Note: Gun length is measured from the front case to the rear case +/-3".

MILLER STYLE REAR CONNECTOR				Front End Consumables		
Wire Size	Length	Part No.	Stock No.	Nozzle	Diffuser	Contact Tip
.035" (0,9mm)	10 ft. (3M)	WM150M-10-3035	1017-1030	WS21-50	WS51	WS11-35
.035" (0,9mm)	15 ft. (5M)	WM150M-15-3035	1017-1007	WS21-50	WS51	WS11-35

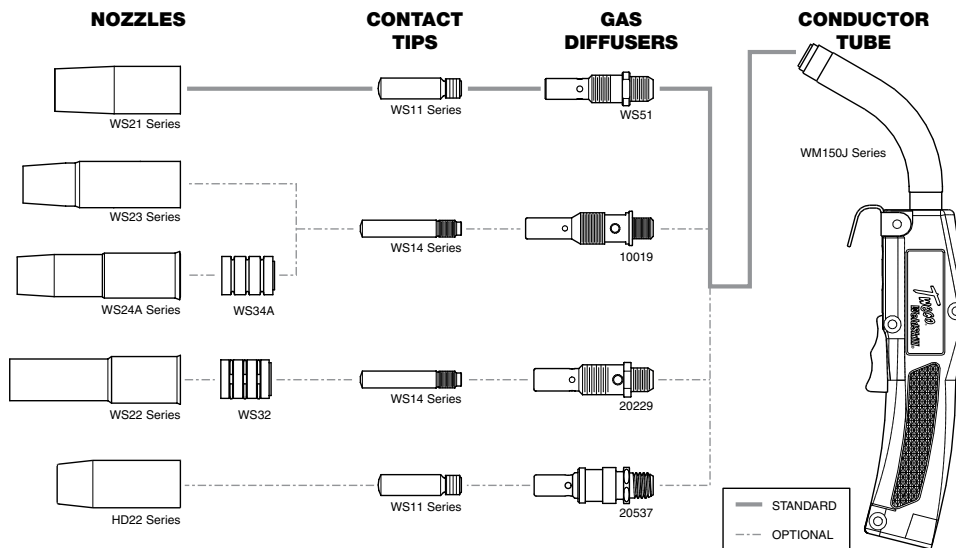
Note: Gun length is measured from the front case to the rear case +/-3". Part No. MSAK354 (Stock No. 2642-2470) Control wire assembly furnished.

LINCOLN** STYLE REAR CONNECTOR				Front End Consumables		
Wire Size	Length	Part No.	Stock No.	Nozzle	Diffuser	Contact Tip
.035" (0,9mm)	15 ft. (5M)	WM150L-15-3035	1017-1082	WS21-50	WS51	WS11-35

Note: Gun length is measured from the front case to the rear case +/-3". Part No. LAK354 (Stock No. 2642-2450) Control wire assembly furnished.

* Adapter kits are available to fit Tweco rear connection to most wire feeders.

** Fits Lincoln LN7, 8, 9, SP200 - Some Lincoln wire feeders are assembled with their K1500-2 gun receiving bushing that will accept Tweco style MIG guns direct from the factory. Control wire Part No. MS354-DSLJ (Stock No. 2060-2137) must be ordered separately.



Refer to Pages 120-124 for more complete detail on front end options. Refer to Pages 116-117 for Parts Breakdown information.

Miller is a registered trademark of Illinois Tool Works, Inc. Lincoln is a registered trademark of Lincoln Electric Co. The aforementioned registered trademarks are in no way affiliated with Tweco Products, Inc. Tweco is registered trademark of Thermadyne Industries, Inc.



WeldSkill 250 Amp MIG Guns

- 250 amp air-cooled
- 60% duty cycle – CO₂ gas
- Metal jacketed conductor tube – 60° @ 3" Radius
- Front & rear spring strain relief

TWECO* STYLE REAR CONNECTOR

Wire Size	Length	Part No.	Stock No.	Front End Consumables		
				Nozzle	Diffuser	Contact Tip
.045" (1,2mm)	15 ft. (5M)	WM250-15-4045	1027-1007	WS22-50	WS52	WS14-45

Note: Gun length is measured from the front case to the rear case +/-3".

MILLER STYLE REAR CONNECTOR

Wire Size	Length	Part No.	Stock No.	Front End Consumables		
				Nozzle	Diffuser	Contact Tip
.045" (1,2mm)	10 ft. (3M)	WM250M-10-4045	1027-1030	WS22-50	WS52	WS14-45
.045" (1,2mm)	12 ft. (4M)	WM250M-12-4045	1027-1031	WS22-50	WS52	WS14-45
.045" (1,2mm)	15 ft. (5M)	WM250M-15-4045	1027-1032	WS22-50	WS52	WS14-45
.045" (1,2mm)	25 ft. (7.6M)	WM250M-25-4045	1027-1023	WS22-50	WS52	WS14-45

Note: Gun length is measured from the front case to the rear case +/-3". Part No. MSAK354 (Stock No. 2642-2470) Control wire assembly furnished.

LINCOLN** STYLE REAR CONNECTOR

Wire Size	Length	Part No.	Stock No.	Front End Consumables		
				Nozzle	Diffuser	Contact Tip
.045" (1,2mm)	15 ft. (5M)	WM250L-15-4045	1027-1082	WS22-50	WS52	WS14-45

Note: Gun length is measured from the front case to the rear case +/-3". Part No. LAK354 (Stock No. 2642-2450) Control wire assembly furnished.

EURO STYLE REAR CONNECTOR

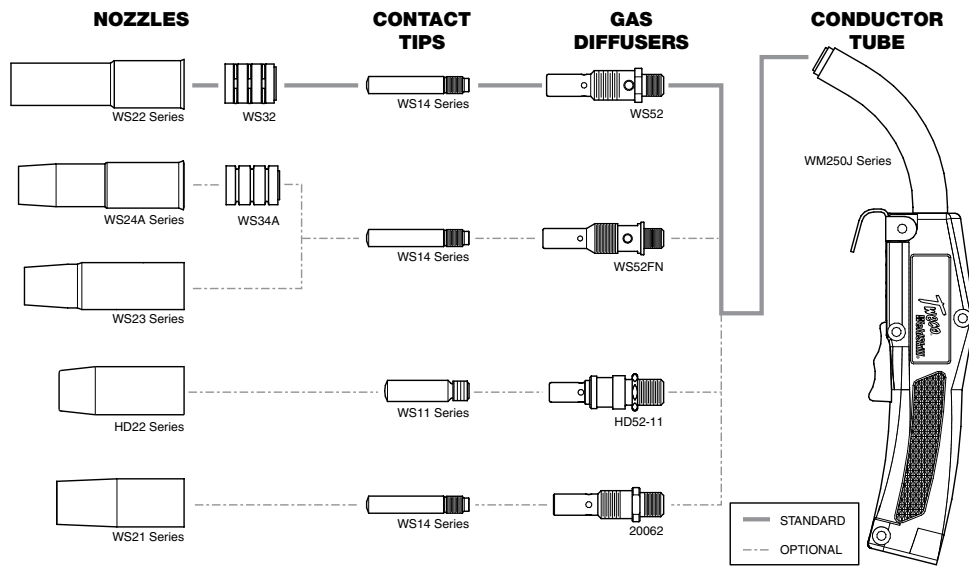
Wire Size	Length	Part No.	Stock No.	Front End Consumables		
				Nozzle	Diffuser	Contact Tip
.045" (1,2mm)	15 ft. (5M)	WM250X-15-4045	1027-1057	WS22-50	WS52	WS14-45

Note: Gun length is measured from the front case to the rear case +/-3".

* Adapter kits are available to fit Tweco rear connection to most wire feeders.

** Fits Lincoln LN7, 8, 9, SP200 - Some Lincoln wire feeders are assembled with their K1500-2 gun receiving bushing that will accept Tweco style MIG guns direct from the factory. Control wire Part No. MS354-DSLJ (Stock No. 2060-2137) must be ordered separately.

Miller is a registered trademark of Illinois Tool Works, Inc. Lincoln is a registered trademark of Lincoln Electric Co. The aforementioned registered trademarks are in no way affiliated with Tweco Products, Inc. Tweco is registered trademark of Thermadyne Industries, Inc.



Refer to Pages 120-124 for more complete detail on front end options. Refer to Pages 116-117 for Parts Breakdown information.



WeldSkill 400 Amp MIG Guns

- 400 amp air-cooled
- 60% duty cycle – CO₂ gas
- Metal jacketed conductor tube – 60° @ 3" Radius
- Front & rear spring strain relief

TWECO* STYLE REAR CONNECTOR

Wire Size	Length	Part No.	Stock No.	Front End Consumables		
				Nozzle	Diffuser	Contact Tip
.045" (1,2mm)	12 ft. (4M)	WM400-12-3545	1047-1001	WS24A62	WS54A	WS14-45
.045" (1,2mm)	15 ft. (5M)	WM400-15-3545	1047-1002	WS24A62	WS54A	WS14-55
1/16" (1,6mm)	15 ft. (5M)	WM400-15-116	1047-1007	WS24A62	WS54A	WS14-116
1/16" (1,6mm)	25 ft. (7,6M)	WM400-25-116	1047-1016	WS24A62	WS54A	WS14-116

Note: Gun length is measured from the front case to the rear case +/-3". Use Nozzle Insulator Part No. WS34A.

MILLER STYLE REAR CONNECTOR

Wire Size	Length	Part No.	Stock No.	Front End Consumables		
				Nozzle	Diffuser	Contact Tip
1/16" (1,6mm)	12 ft. (4M)	WM400M-12-116	1047-1031	WS24A62	WS54A	WS14-116
.045" (1,2mm)	15 ft. (5M)	WM400M-15-3545	1047-1027	WS24A62	WS54A	WS14-45
1/16" (1,6mm)	15 ft. (5M)	WM400M-15-116	1047-1032	WS24A62	WS54A	WS14-116
1/16" (1,6mm)	25 ft. (7,6M)	WM400M-25-116	1047-1019	WS24A62	WS54A	WS14-116

Note: Gun length is measured from the front case to the rear case +/-3". Use Nozzle Insulator Part No. WS34A.
Part No. MSAK354 (Stock No. 2642-2470) Control wire assembly furnished

LINCOLN** STYLE REAR CONNECTOR

Wire Size	Length	Part No.	Stock No.	Front End Consumables		
				Nozzle	Diffuser	Contact Tip
.045" (1,2mm)	15 ft. (5M)	WM400L-15-3545	1047-1077	WS24A62	WS54A	WS14-45
1/16" (1,6mm)	15 ft. (5M)	WM400L-15-116	1047-1082	WS24A62	WS54A	WS14-116
1/16" (1,6mm)	25 ft. (7,6M)	WM400L-25-116	1047-1022	WS24A62	WS54A	WS14-116

Note: Gun length is measured from the front case to the rear case +/-3". Use Nozzle Insulator Part No. WS34A.
Part No. LAK354 (Stock No. 2642-2450) Control wire assembly furnished

EURO STYLE REAR CONNECTOR

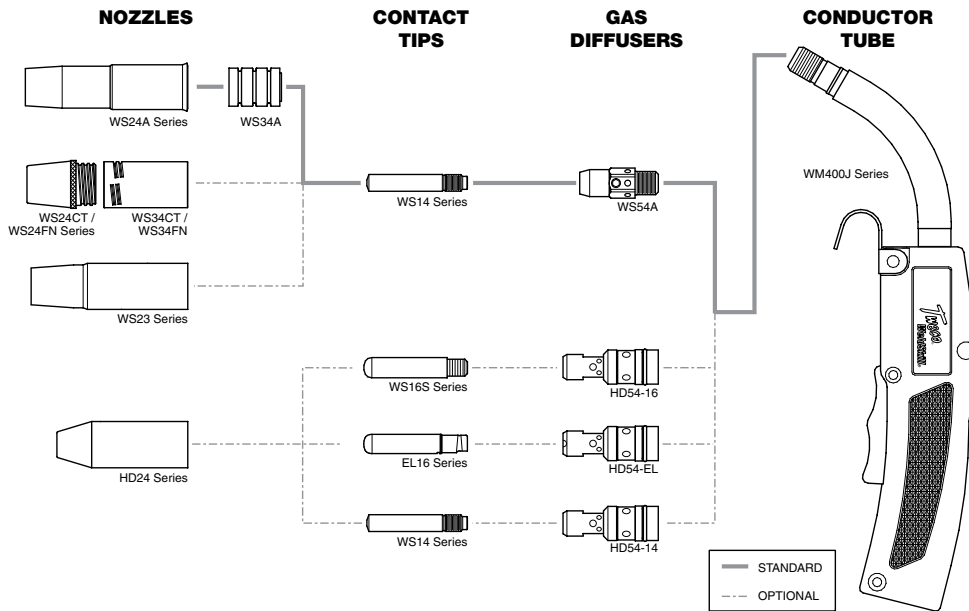
Wire Size	Length	Part No.	Stock No.	Front End Consumables		
				Nozzle	Diffuser	Contact Tip
1/16" (1,6mm)	15 ft. (5M)	WM400X-15-116	1047-1057	WS24A62	WS54A	WS14-116

Note: Gun length is measured from the front case to the rear case +/-3". Use Nozzle Insulator Part No. WS34A.

* Adapter kits are available to fit Tweco rear connection to most wire feeders.

** Fits Lincoln LN7, 8, 9, SP200 - Some Lincoln wire feeders are assembled with their K1500-2 gun receiving bushing that will accept Tweco style MIG guns direct from the factory. Control wire Part No. MS354-DSLJ (Stock No. 2060-2137) must be ordered separately.

Miller is a registered trademark of Illinois Tool Works, Inc. Lincoln is a registered trademark of Lincoln Electric Co. The aforementioned registered trademarks are in no way affiliated with Tweco Products, Inc. Tweco is registered trademark of Thermadyne Industries, Inc.



Refer to Pages 120-124 for more complete detail on front end options. Refer to Pages 116-117 for Parts Breakdown information.



WeldSkill 500 Amp MIG Guns

- 500 amp air-cooled
- 60% duty cycle – CO₂ gas
- Metal jacketed conductor tube – 60° @ 5" Radius
- Front & rear spring strain relief

TWECO* STYLE REAR CONNECTOR

Wire Size	Length	Part No.	Stock No.	Front End Consumables		
				Nozzle	Diffuser	Contact Tip
1/16" (1,6mm)	15 ft. (5M)	WM500-15-116	1057-1007	WS25CT-62	WS55W	WS15H-116

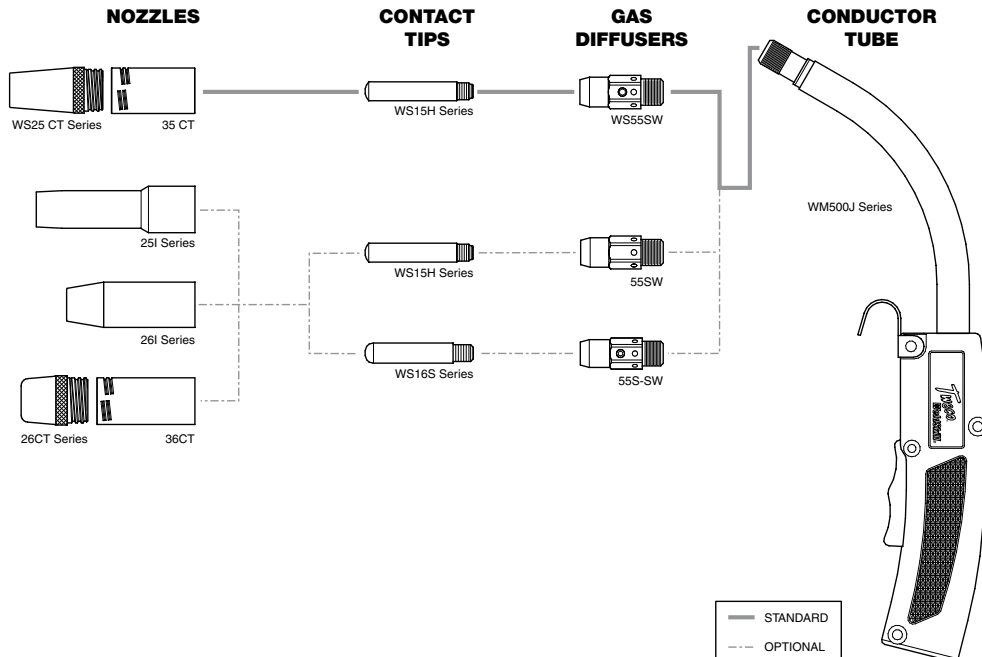
Note: Gun length is measured from the front case to the rear case +/-3". Use Nozzle Insulator Part No. WS35CT.

MILLER STYLE REAR CONNECTOR

Wire Size	Length	Part No.	Stock No.	Front End Consumables		
				Nozzle	Diffuser	Contact Tip
1/16" (1,6mm)	15 ft. (5M)	WM500M-15-116	1057-1032	W25CT-62	WS55SW	WS15H-116

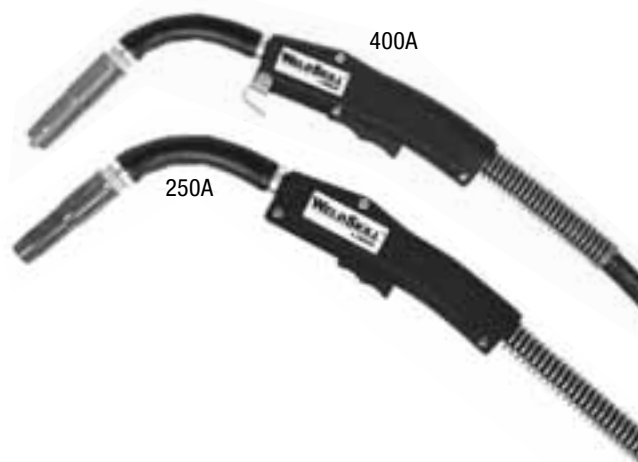
Note: Gun length is measured from the front case to the rear case +/-3". Use Nozzle Insulator Part No. WS35CT.

* Adapter kits are available to fit Tweco rear connection to most wire feeders.



Refer to Pages 120-124 for more complete detail on front end options. Refer to Pages 116-117 for Parts Breakdown information.

Miller is a registered trademark of Illinois Tool Works, Inc. Lincoln is a registered trademark of Lincoln Electric Co. The aforementioned registered trademarks are in no way affiliated with Tweco Products, Inc. Tweco is registered trademark of Thermadyne Industries, Inc.



Tweco WeldSkill MIG Guns with “Knucklehead™” Flexible Conductor Tubes

- Improve weld quality
- Increase productivity
- Decrease welder fatigue
- Conductor tubes proven to last longer than any design on the market today

Tweco WeldSkill “WM” Series

TWECO* STYLE REAR CONNECTOR					
Wire Size	Length	Part No.	Stock No.	Amp	Knucklehead Conductor Tube
.045" (1,2mm)	15 ft. (5M)	WM250-15-4045K4	1027-1060	250	62SFLX480 (Stock No. 1620-1106)
1/16" (1,6mm)	15 ft. (5M)	WM400-15-116K4	1040-1170	400	64SFLX480 (Stock No. 1640-1113)

Note: Gun length is measured from the front case to the rear case +/-3".

MILLER STYLE REAR CONNECTOR					
Wire Size	Length	Part No.	Stock No.	Amp	Knucklehead Conductor Tube
.045" (1,2mm)	15 ft. (5M)	WM250M-15-4045K4	1027-1061	250	62SFLX480 (Stock No. 1620-1106)
1/16" (1,6mm)	15 ft. (5M)	WM400M-15-116K4	1040-1171	400	64SFLX480 (Stock No. 1640-1113)

Note: Gun length is measured from the front case to the rear case +/-3".

LINCOLN** STYLE REAR CONNECTOR					
Wire Size	Length	Part No.	Stock No.	Amp	Knucklehead Conductor Tube
1/16" (1,6mm)	15 ft. (5M)	WM400L-15-116K4	1040-1172	400	64SFLX480 (Stock No. 1640-1113)

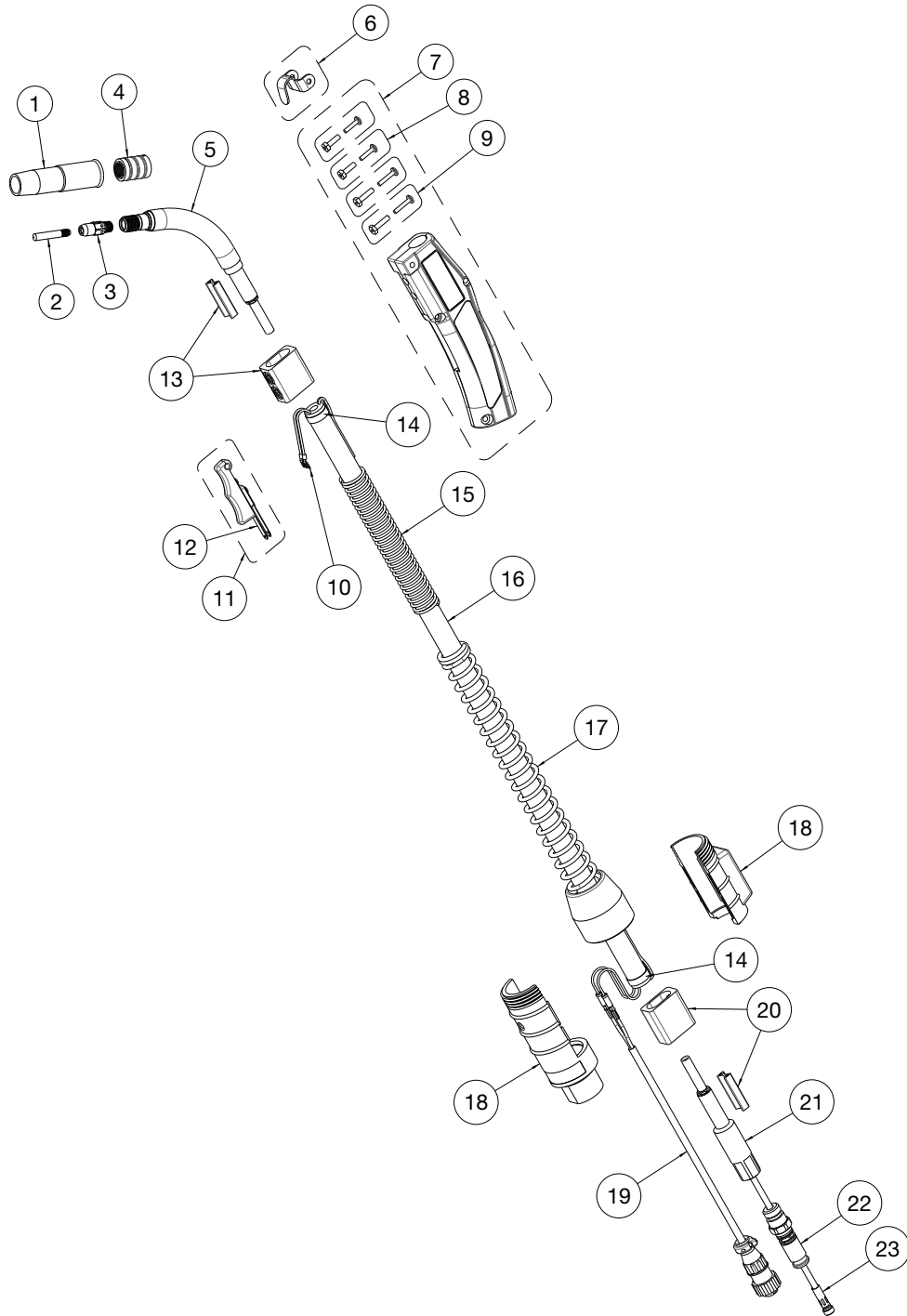
Note: Gun length is measured from the front case to the rear case +/-3".

* Adapter kits are available to fit Tweco rear connection to most wire feeders.

** Fits Lincoln LN7, 8, 9, SP200 - Some Lincoln wire feeders are assembled with their K1500-2 gun receiving bushing that will accept Tweco style MIG guns direct from the factory. Control wire Part No. MS354-DSLJ (Stock No. 2060-2137) must be ordered separately.

See pages 102-103 for more information on Knucklehead Conductor Tubes.

TWECO WELDSKILL REPLACEMENT PARTS



No.	Description	(PART NO. / STOCK NO.)			
		150 Amp	250 Amp	400 Amp	500 Amp
1	Nozzles	Refer to Pages 122-123			
2	Contact Tips	Refer to Page 121			
3	Gas Diffusers	Refer to Page 120			
4	Nozzle Insulators	Refer to Page 120			
5	Conductor Tubes	Refer to Page 120			
6	Gun Hanger	152 2020-2152			WM155 2050-2095
7	Handle Assembly	WM1-80 2042-2029		WM4-80 2042-2031	WM5-80 2042-2032
8	Binder Post & Screw - (2 ea. Required)	122FMS 2020-2123			N/A
	Binder Post & Screw - (1 ea. Required)	N/A			122FMS 2020-2123
	Binder Post & Screw - (1 ea. Required)	N/A			124FMS 2040-2125
9	Binder Post & Screw - (2 ea. Required)	122FM 2020-2122			124FM 2040-2124
10	Trigger Control Wire Terminal (2 ea.)	244DS 2040-2245		244 2040-2244	
11	Trigger Assembly	WM91 2010-2095		WM92 2020-2096	
12	Trigger Blades	91C 2010-2093		92C 2020-2094	
13	Front Cable Connector	WM102 2020-2107		104 2040-2104	
14	Cable Clamp	136 2060-2690			
15	Front Strain Relief Spring	WM2SSR 2020-2134		WM4SSR 2040-2141	WM5SSR 2050-2096
16	Cablehoz	35-000 1700-2100	200 1720-2100	400 1740-2100	500 1750-2100
17	Rear Strain Relief Spring	N/A	235RSSR 2060-2035		
18	Rear Case - Direct Plug	35-230C 2000-2231	R6RC 2060-2040		
	Rear Case Euro Style	X6RC 2060-2006			
19	Control Wire (Standard)	MS354-DSM 2060-2140			
	Control Wire (Dual Schedule)	194DS 2040-2195			
20	Rear Cable Connector - Direct Plug	MS172-RK 2060-2134	104 2040-2104		
	Rear Cable Connector - Euro Style	172X-M 2020-2181		174X-M 2040-2181	176X-M 2060-2181
21	Adapter - Direct Plug	N/A	M170-2H 2020-2165	M170-4H 2020-2166	M170-5H 2020-2167
22	Connector Plug	Refer to Page 84			
23	Conduit/Liner	Refer to Page 124			



Tweco WeldSkill Spool Gun

The Tweco WeldSkill Spool Gun is the perfect choice for aluminum and mild steel welding applications. Light weight and exceptional ergonomics make the WeldSkill Spool Gun easy to use, while the 25 foot cable makes many projects within your reach. The handlemounted speed control offers easy wire speed adjustment.

Works with ThermalArc Fabricator 210, 251, and 281 machines right out of the box. No external adapters or control boxes needed. Adapter kits for other machines are also available (see listing).

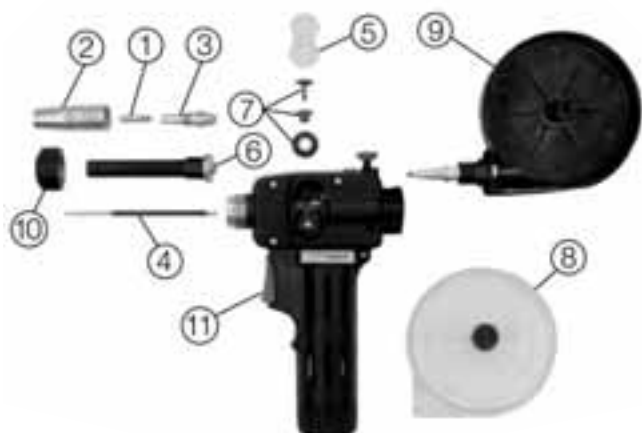
- Light-weight design
- Easy to use
- Adjustable wire speed control
- 25' (7,62m) Cable Length
- Fits many major cabinet style power supplies
- Includes Knucklehead flexible conductor tube
- Straight Knurled Drive Rolls

Part No.	Stock No.	Description
WSP2253545K3	1027-1381	WeldSkill Spool Gun with 25ft. (7,62m) Cable and Flexible Conductor Tube

Note: .030"/.035" (0,8/0,9mm) Drive Rolls comes with the MIG Gun

Description	Rating	
Rated Welding Current	CO ₂	200A
	Mixed Gas	160A
Duty Cycle	60%	
Wire Diameter (Normal)	0.023-0.045 (Normal)	
Wire Diameter (Stainless Steel)	0.023-0.030 (Stainless Steel)	
Maximum Wire Feed Speed	630 in./min. (16m./min.)	
Maximum Wire Spool Size	Diameter: 4" (100mm) Width: 1.75" (45mm)	
Motor Voltage	24V DC	
Net Weight	12.79 lbs. (5.8kg)	

CONTROL WIRE JUMPER CORDS			
Manufacturer	Machine	Part Number	Stock Number
Miller	Millermatic 210	WSPMILL4PJC2	2031-2246
Miller	Millermatic 212	WSPMILL4PJC	2031-2245
Lincoln	Power MIG 255C	WSPLIN7PJC	2031-2247
Hobart	Ironman 210, 250	WSPMILL4PJC	2031-2245
Esab	Migmaster 203	WSPESAB7PJC	2031-2248
Esab	Migmaster 253	WSPESAB7PJC	2031-2248
Esab	Migmaster 250	WSPESAB7PJC	2031-2248
Generic	See pin configuration	WSPGENJC	2031-2249



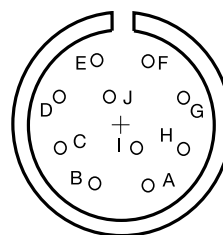
Tweco WeldSkill Spool Gun

Ref Number	Part Number	Stock Number	Description
1	Refer to Page 121		Contact Tips
2	Refer to Page 122		Nozzle
3	WS51	1510-1140	WeldSkill Gas Diffuser
4	SPG66065	2031-2107	WeldSkill Conduit
5	WSPDRC	2031-2227	Drive Roll Cover
6	WSP62180	2031-2225	WeldSkill Conductor Tube - Rigid
7	WSPDR023	2031-2228	Drive Roll Assembly .023" (0,6mm)
7	WSPGR023	2031-2234	Guide Roll Assembly .023" (0,6mm)
7	WSPDR035045	2031-2229	Drive Roll Assembly .035" (0,9mm)
7	WSPGR035045	2031-2235	Guide Roll Assembly .035" (0,9mm)
7	WSPDR047	2031-2230	Drive Roll Assembly .047" (1,19mm)
7	WSPGR047	2031-2236	.047 Guide Roll Assembly
8	WSPSCC	2031-2233	Spool Case Cover
9	WSPSC	2031-2232	Complete Spool Case
10	WSP62N	2031-2226	Conductor Tube Nut
11	WSP92	2031-2231	Trigger Assembly
6	WSP62SFLX360	1620-1315	Knuckle Head, Flexible Cond. Tube

PIN CONFIGURATION FOR GENERIC PLUGS

Pin	Function
A	Not Used
B	Spool Gun Motor (-)
C	Spool Gun Motor (+)
D	Spool Gun Switch
E	Spool Gun Speed C.W. Pot
F	Spool Gun Speed Wiper Pot
G	Spool Gun Switch
H	Spool Gun Speed CCW Pot
I	Not Used
J	Not Used

Male end from gun shown



WELDSKILL CONDUCTOR TUBES							
Series	Part No.	Stock No.	Outer Jacket Material	Back End Threads	Front End Threads	Radius	
						60	45
WELDSKILL STANDARD 150	WM150J-60	1610-1116	Metal	I.D. 3/8"-24 UNF-2B	I.D. M10 x 1.5-6H	2.25"	2.25"
	WM150J-45	1610-1115					
	WM150-60 WM150-80 WM150-180	1610-1112 1610-1113 1610-1114	Neoprene Rubber	I.D. 3/8"-24 UNF-2B	I.D. M10 x 1.5-6H	2"	2"
WELDSKILL STANDARD 250	WM250J-60	1620-1310	Metal	I.D. 3/8"-24 UNF-2B	3/8"-24 UNF-2B	3"	3"
WELDSKILL STANDARD 400	WM400J-60	1640-1305	Metal	I.D. 3/8"-24 UNF-2B	I.D. 3/8"-24 UNF-2B	3"	3"
	WM400J-45	1640-1306			O.D. 9/16"-18UNF-2A		
WELDSKILL STANDARD 500	WM500J-60	1650-1120	Metal	I.D. 7/16"-20UNF-2B	I.D. 7/16"-20 UNF-2B O.D. 5/8"-18 UNF-2A	5"	5"

AIR-COOLED STANDARD GAS DIFFUSERS				
Part No.	Stock No.	Material	Contact Tip	Nozzle
MINI-MIG SERIES				
WS35-50	1500-1140	Brass	WS11 Series	WS21 Series
WM150 SERIES				
WS51	1510-1140	Brass	WS11 Series	WS21 Series
WM250 SERIES				
WS52	1520-1140	Brass	WS14 Series	WS22 Series
WS52FN	1520-1141	Brass	WS14 Series	WS24A, WS23 Series
WM400 SERIES				
WS54A	1540-1145	Brass	WS14 Series	WS24A, WS24CT, & WS23 Series
WM500 SERIES				
WS55SW (1)	1550-1140	Copper	WS15H Series	WS25CT Series
WS55H (2)	1550-1141	Copper	WS15H Series	WS25CT Series

Note: (1) - Use with WS45-3545, WS45-116, and WS45N-3545 Series Conduit Liners
 (2) - Use with WS45H-332, 45H-764, and 45-18 Series Conduit Liners

STANDARD THREADED STYLE CONTACT TIPS - Standard Alloy Copper Tubing							
		Standard		Heavy-Duty		Tapered	
Wire Size (in/mm)	Tip I.D. (in/mm)	Part No.	Stock No.	Part No.	Stock No.	Part No.	Stock No.
WS11, WS11H, & WS11T SERIES 0.25" (6,35MM) O.D. - M6 X 1.0 THREADS - 1.00" (25,4MM) O.A.L.							
.023" (0,6mm)	.031" (0,79mm)	WS11-23	1110-1140			WS11T-23	1110-1340
.030" (0,8mm)	.038" (0,97mm)	WS11-30	1110-1141			WS11T-30	1110-1341
.035" (0,9mm)	.044" (1,12mm)	WS11-35	1110-1142			WS11T-35	1110-1342
.045" (1,2mm)	.054" (1,37mm)	WS11-45	1110-1144	WS11H45	1110-1244	WS11T-45	1110-1344
WS14, WS14H, & WS14T 0.25" (6,35MM) O.D. - .250-28 UNF THREADS - 1.50" (38,1MM) O.A.L.							
.030" (0,8mm)	.038" (0,97mm)	WS14-30	1140-1166			WS14T-30	1140-1341
.035" (0,9mm)	.044" (1,12mm)	WS14-35	1140-1167	WS14H-35	1140-1242	WS14T35	1140-1342
.040" (1,0mm)	.048" (1,22mm)	WS14-40	1140-1168	WS14H-40	1140-1243		
.045" (1,2mm)	.054" (1,37mm)	WS14-45	1140-1169	WS14H-45	1140-1244	WS14T-45	1140-1344
.052" (1,3mm)	.064" (1,65mm)	WS14-52	1140-1170	WS14H-52	1140-1245	WS14T-52	1140-1345
1/16" (1,6mm)	.073" (1,85mm)	WS14-116	1140-1171	WS14H-116	1140-1246	WS14T-116	1140-1346
5/64" (2,0mm)	.090" (2,29mm)	WS14-564	1140-1174	WS14H-564	1140-1247		
3/64" AL (1,2mm)	.059" (1,50mm)	WS14A364	1140-1172	WS14AH-364	1140-1248		
WS15H SERIES 0.345" (8,8MM) O.D. - .3125-24 UNF THREADS - 1.970" (50MM) O.A.L.							
WS15HFC SERIES 0.345" (8,8MM) O.D. - .3125-24 UNF THREADS - 1.590" (40,4MM) O.A.L.							
.035" (0,9mm)	.044" (1,12mm)	WS15H-35	1150-1230				
.045" (1,2mm)	.054" (1,37mm)	WS15H-45	1150-1232				
1/16" (1,6mm)	.073" (1,85mm)	WS15H-116	1150-1234	WS15HFC-116	1150-1268		
5/64" (2,0mm)	.090" (2,29mm)	WS15H-564	1150-1235				
3/32" (2,4mm)	.106" (2,67mm)	WS15H-332	1150-1238				
7/64" (2,8mm)	.120" (3,05mm)	WS15H-764	1150-1237				
16S & 16ST SERIES 0.375" (9,5MM) O.D. - M8 X 1.25 THREADS - 1.50" (38,1MM) O.A.L.							
.035" (0,9mm)	.044" (1,12mm)	WS16S-35	1160-1425			WS16ST-35	1160-1440
.045" (1,2mm)	.054" (1,37mm)	WS16S-45	1160-1426			WS16ST-45	1160-1441
.052" (1,3mm)	.064" (1,65mm)	WS16S-52	1160-1427				
1/16" (1,6mm)	.073" (1,85mm)	WS16S-116	1160-1428			WS16ST-35	1160-1443
5/64" (2,0mm)	.090" (2,29mm)	WS16S-564	1160-1429				

AIR-COOLED STANDARD & HEAVY-DUTY NOZZLES & NOZZLE INSULATORS					
Nozzle Style	Bore Diameter (in/mm)	Part No.	Stock No.	Nozzle Design	Nozzle/Contact Tip Relationship
WS21 SERIES 3-PIECE NOZZLE DESIGN - STANDARD ALLOY COPPER - 0.750" (19,05MM) OUTSIDE DIAMETER					
Thread-On	3/8" (9,5mm)	WS21-37	1210-1340	Standard (1)	1/8" - 5/32" (3,2mm - 3,97mm) Tip Recess
	3/8" (9,5mm)	WS21T-37	1210-1343	Tapered (1)	1/8" - 5/32" (3,2mm - 3,97mm) Tip Recess
	1/2" (12,7mm)	WS21-50F	1210-1346	Standard (1)	Flush To 1/16" (1,6mm) Tip Recess
	1/2" (12,7mm)	WS21-50	1210-1341	Standard (1)	1/8" - 5/32" (3,2mm - 3,97mm) Tip Recess
	5/8" (15,9mm)	WS21-62	1210-1342	Standard (1)	1/8" - 5/32" (3,2mm - 3,97mm) Tip Recess
WS22 SERIES FORMED NOZZLE - STANDARD ALLOY COPPER - 0.750" (19,05MM) OUTSIDE DIAMETER					
Thread-On	3/8" (9,5mm)	WS22-37SS	1220-1345	Standard Short Stop (2)	Adjustable Recess To Protruding
	3/8" (9,5mm)	WS22T-37SS	1220-1336	Standard Short Stop (2)	
	1/2" (12,7mm)	WS22-50	1220-1341	Standard	
	1/2" (12,7mm)	WS22-50SS	1220-1346	Standard Short Stop (2)	
	5/8" (15,9mm)	WS22-62	1220-1342	Standard	
	5/8" (15,9mm)	WS22-62SS	1220-1347	Standard Short Stop (2)	
WSHD22 SERIES 3-PIECE NOZZLE DESIGN - STANDARD ALLOY COPPER - 0.875" (22,2MM) OUTSIDE DIAMETER					
Slip-On (B)	1/2" (12,7mm)	WSHD22-50	1220-1330	Standard (1)	1/8" - 5/32" (3,2mm - 3,97mm) Tip Recess

Note: (A) - Use with Nozzle Insulator Part No. WS32 (Stock No. 1320-1125)
 (1) - Self Insulated Nozzles
 (2) - Flush to 1/8" (3,2mm) Tip Recess

AIR-COOLED STANDARD & HEAVY-DUTY NOZZLES & NOZZLE INSULATORS					
Nozzle Style	Bore Diameter (in/mm)	Part No.	Stock No.	Nozzle Design	Nozzle/Contact Tip Relationship
WS23 SERIES 3-PIECE NOZZLE DESIGN - STANDARD ALLOY COPPER - 0.875" (22,2MM) OUTSIDE DIAMETER					
Thread-On	3/8" (9,5mm)	WS23-37	1230-1010	Standard	1/8" - 5/32" (3,2mm - 3,97mm) Tip Recess
	3/8" (9,5mm)	WS23T-37	1230-1035	Tapered	1/8" - 5/32" (3,2mm - 3,97mm) Tip Recess
	3/8" (9,5mm)	WS23T-37F	1230-1303	Tapered	Flush To 1/16" (1,6mm) Tip Recess
	1/2" (12,7mm)	WS23-50	1230-1011	Standard	1/8" - 5/32" (3,2mm - 3,97mm) Tip Recess
	1/2" (12,7mm)	WS23-50F	1230-1016	Standard	Flush To 1/16" (1,6mm) Tip Recess
	5/8" (15,9mm)	WS23-62	1230-1012	Standard	1/8" - 5/32" (3,2mm - 3,97mm) Tip Recess
	5/8" (15,9mm)	WS23H-62	1230-1221	Heavy-Duty	1/8" - 5/32" (3,2mm - 3,97mm) Tip Recess
	5/8" (15,9mm)	WS23-75	1230-1013	Standard	1/8" - 5/32" (3,2mm - 3,97mm) Tip Recess

Note: Self Insulated Nozzles

AIR-COOLED STANDARD & HEAVY-DUTY NOZZLES & NOZZLE INSULATORS					
Nozzle Style	Bore Diameter (in/mm)	Part No.	Stock No.	Nozzle Design	Nozzle/Contact Tip Relationship
WS24A SERIES FORMED NOZZLE - STANDARD ALLOY COPPER - 0.750" (19,05MM) OUTSIDE DIAMETER					
Slip-On (A)	3/8" (9,5mm)	WS24A-37SS	1240-1559	Standard Short Stop (1)	1/8" (3,2mm) Tip Recess
	1/2" (12,7mm)	WS24A-50	1240-1555	Standard	Adjustable Tip Recess - Tip Protruding
	1/2" (12,7mm)	WS24A-50SS	1240-1560	Standard Short Stop (1)	1/8" (3,2mm) Tip Recess
	5/8" (15,9mm)	WS24A-62	1240-1556	Standard	Adjustable Tip Recess - Tip Protruding
	5/8" (15,9mm)	WS24A-62SS	1240-1561	Standard Short Stop (1)	1/8" (3,2mm) Tip Recess
	5/8" (15,9mm)	WS24AH-62SS	1240-1566	Standard Short Stop (1)	1/8" (3,2mm) Tip Recess
	3/4" (19,5mm)	WS24A-75	1240-1557	Standard	Adjustable Tip Recess - Tip Protruding
WS24CT SERIES COURSE THREAD NOZZLE - 145 ALLOY COPPER					
Thread-On (B)	1/2" (12,7mm)	WS24CT-50S	1240-1580	Standard Short Stop (1)	5/32" (3,97mm) Tip Recess
	5/8" (15,9mm)	WS24CT-62S	1240-1581	Standard Short Stop (1)	5/32" (3,97mm) Tip Recess
	5/8" (15,9mm)	WS24CT-62R	1240-1591	Tapered	1/2" (12,7mm) Tip Recess
	3/4" (19,5mm)	WS24CT-75S	1240-1582	Standard Short Stop (1)	5/32" (3,97mm) Tip Recess
WS24FN SERIES FINE THREAD NOZZLE - 145 ALLOY COPPER					
Thread-On (C)	1/2" (12,7mm)	WS24FN-50S	1240-1715	Standard Short Stop (1)	5/32" (3,97mm) Tip Recess
	5/8" (15,9mm)	WS24FN-62S	1240-1727	Standard Short Stop (1)	5/32" (3,97mm) Tip Recess

Note: (A) - Use with Nozzle Insulator Part No. WS34A (Stock No. 1340-1125)
 (B) - Use with Nozzle Insulator Part No. WS34CT (Stock No. 1340-1126)
 (C) - Use with Nozzle Insulator Part No. WS34FN (Stock No. 1340-1127)
 (1) - Flush to 1/8" (3,2mm) Tip Recess

AIR-COOLED HEAVY-DUTY NOZZLES					
Nozzle Style	Bore Diameter (in/mm)	Part No.	Stock No.	Nozzle Design	Nozzle/Contact Tip Relationship
WSHD24 SERIES 3-PIECE NOZZLE DESIGN					
Slip-On (A)	5/8" (15,9mm)	WSHD24L-62	1240-1572	Tapered	1/8" - 5/32" (3,2mm - 3,97mm) Tip Recess
	5/8" (15,9mm)	WSHD24L-62F	1240-1573	Tapered	Flush To 1/16" (1,6mm) Tip Recess
	5/8" (15,9mm)	WSHD24-62	1240-1570	Standard (1)	1/8" - 5/32" (3,2mm - 3,97mm) Tip Recess
	3/4" (19,5mm)	WSHD24L-75	1240-1574	Tapered	1/8" - 5/32" (3,2mm - 3,97mm) Tip Recess
	3/4" (19,5mm)	WSHD24-75	1240-1571	Standard	1/8" - 5/32" (3,2mm - 3,97mm) Tip Recess

Note: (A) - Use with HD54 Series Gas Diffusers
 (1) - 1.125" (28,58mm) Outside Diameter

AIR-COOLED STANDARD NOZZLES & NOZZLE INSULATORS					
Nozzle Style	Bore Diameter (in/mm)	Part No.	Stock No.	Nozzle Design	Nozzle/Contact Tip Relationship
25CT SERIES COURSE THREAD NOZZLE - 145 ALLOY COPPER					
Thread-On (A)	1/2" (12,7mm)	WS25CT-50	1250-1439	Standard	1/8" (3,2mm) Tip Recess
	5/8" (15,9mm)	WS25CT-62	1250-1440	Standard	1/8" (3,2mm) Tip Recess
	3/4" (19,5mm)	WS25CT-75	1250-1441	Standard	1/8" (3,2mm) Tip Recess

Note: (A) - Use with Nozzle Insulator Part No. WS35CT (Stock No. 1350-1425)

CONDUIT LINERS FOR USE WITH STEEL WELDING WIRES

Wire Size in/mm	Part No.	Stock No.	Description	Wire Size in/mm	Part No.	Stock No.	Description
WM150 & WM250 SERIES				WM500 SERIES			
.030" - .035" (0,8mm - 0,9mm)	WS42-3035-15	1420-1140	Steel Wound 15ft. (5M) Long	.035" - .045" 0,9mm - 1,2mm)	WS45-3545-15	1450-1104	Steel Wound 15ft. (5M) Long
.030" - .035" (0,8mm - 0,9mm)	WS42-3035-25	1420-1145	Steel Wound 25ft. (8M) Long	.052" - 1/16" (1,3mm - 1,6mm)	WS45-116-15	1450-1114	Steel Wound 15ft. (5M) Long
.040" - .045" (1,0mm - 1,2mm)	WS42-4045-15	1420-1141	Steel Wound 15ft. (5M) Long	3/32" (2,4mm)	WS45H-332-15	1450-1134	Steel Wound 15ft. (5M) Long
.040" - .045" (1,0mm - 1,2mm)	WS42-4045-25	1420-1146	Steel Wound 25ft. (8M) Long				
WM400 SERIES							
.035" - .045" (0,9mm - 1,2mm)	WS44-3545-15	1440-1140	Steel Wound 15ft. (5M) Long				
.035" - .045" (0,9mm - 1,2mm)	WS44-3545-25	1440-1145	Steel Wound 25ft. (8M) Long				
.052" - 1/16" (1,3mm - 1,6mm)	WS44-116-15	1440-1141	Steel Wound 15ft. (5M) Long				
.052" - 1/16" (1,3mm - 1,6mm)	WS44-116-25	1440-1146	Steel Wound 25ft. (8M) Long				
5/64" (2,0mm)	WS44-564-15	1440-1142	Steel Wound 15ft. (5M) Long				
5/64" (2,0mm)	WS44-564-25	1440-1147	Steel Wound 25ft. (8M) Long				

CONDUIT LINERS FOR USE WITH ALUMINUM WELDING WIRES

Wire Size in/mm	Part No.	Stock No.	Description
WM150 & WM250 SERIES			
.030" - 3/64" (0,8mm - 1,2mm)	WS42N-3545-15	1420-1142	Teflon 15ft. (5M) Long
WM400 SERIES			
.030" - 3/64" (0,8mm - 1,2mm)	WS44N-3545-15	1440-1135	Nylon 15ft. (5M) Long
1/16" (1,6mm)	WS44N-116-15	1440-1136	Nylon 15ft. (5M) Long



“NO SHORTCUTS”

It's part discipline, part pride and all passion that fuels Shane 'Cajun' Guidry, a native of New Orleans, Louisiana. "If you take pride in your work, then welding is for you," he says. "Because every weld you make is your signature." Shane's passion for welding runs deeper than your average metalworker.

His work has brought him from Russia to the 40-below temperatures of Alaska. Today he works as an AWS Certified Welding Inspector, where his 'no shortcuts' attitude has made him a reliable team member. "For every weld I inspect, I pretend a member of my family will depend on it," he says.

SHANE NEEDS EQUIPMENT HE CAN RELY ON. THAT'S WHY HE CHOOSES TWECO. ABOARD THE U.S.S. NIMITZ HE USED TWECOTONG ELECTRODE HOLDERS TO REPAIR A WEAPONS ELEVATOR. "THEY'RE INTERCHANGEABLE, DEPENDABLE, AND SAFE," HE SAYS.

While in Alaska, Shane used Tweco arctic cables on an exploratory drilling site. He said, "Even after dropping them seven stories down, they came up clean and ready to go again."

SHANE GUIDRY
AWS Certified Welding Inspector
PM Testing Inc.

Shane carries the torch – will you?

THERMADYNE, A GLOBAL CUTTING AND WELDING LEADER, joins the American Welding Society in encouraging individuals to practice the art, craftsmanship and professions of welding, metalworking and fabrication. Victor, Thermal Dynamics, Thermal Arc, Arcair, Tweco, Stoody, Cigweld and TurboTorch are among the Thermadyne family of brands that you can count on for safety, reliability and quality.

Tweco.

For more information visit www.thermadyne.com/tweco or call Thermadyne Customer Care at 1-800-426-1888



www.thermadyne.com



American Welding Society
Sustaining Company Member

Manual Product

Some of our most popular Tweco® manual products are offered in both the standard product cartons and clamshells for easy display on the showroom floor.

All products in clamshell packaging can be sold individually or by master packed quantities. See below for more detail.



TWECOTONG® Electrode Holders

The TWECOTONG® electrode holders that are sold in the clamshell packaging have a set of replaceable front insulators as a bonus in each package.

Part Number	Stock Number	Amperage Capacity	Body Alloy	Electrode Capacity	Cable Conn Capacity	English Length	Metric Length
A-532	9110-1101	200	Copper Alloy	thru 5/32" (4,0mm)	Ball-Point thru 2/0	8-1/2"	216mm
A-316	9110-1102	250	Copper Alloy	thru 3/16" (4,8mm)	Ball-Point thru 2/0	9-1/4"	235mm
A-732	9110-1103	300	Copper Alloy	thru 7/32" (5,6mm)	Ball-Point thru 2/0	10"	254mm

Sold individually or master packed in quantities of 12 each.

Tweco Ground Clamp

Part Number	Stock Number	Amperage Capacity	Jaw Opening	Cable Conn Capacity	English Length	Metric Length
GC-300	9205-1130	300	1-1/2" - Depth 4" (38,1mm - 101,0mm)	Ball-Point thru 3/0	8-1/2"	216mm

Sold individually or master packed in quantities of 12 each.

Tweco Cable Connectors

Part Number	Stock Number	Description	Type Cable Connection	Cable Capacity	Standard Package
2-MPC **	9425-1200	Complete Connection	Single Ball-Point	1/0, 2/0, 3/0	1 ea. Male/Female
2-MPC-1 *	9425-1210	Male Half	Single Ball-Point	1/0, 2/0, 3/0	Pkg. 2 ea. Male
2-MPC-2 *	9425-1220	Female Half	Single Ball-Point	1/0, 2/0, 3/0	Pkg. 2 ea. Female
4-MPC **	9425-1400	Complete Connection	Double Ball-Point	3/0 or 4/0	1 ea. Male/Female
4-MPC-1 *	9425-1410	Male Half	Double Ball-Point	3/0 or 4/0	Pkg. 2 ea. Male
4-MPC-2 *	9425-1420	Female Half	Double Ball-Point	3/0 or 4/0	Pkg. 2 ea. Female

* Sold individually or master packed in quantities of 24 each.
** Sold individually or master packed in quantities of 12 each.

TWECOTONG® Electrode Holders

TWECOTONG electrode holders feature reversible top and bottom Insulators. Efficient 6-position jaw patterns and fully insulated, protected springs. Ball-point cable connection is also featured.



A-316

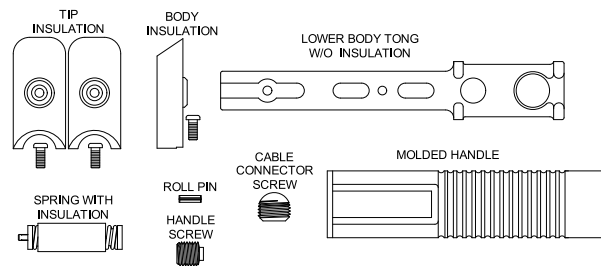
A-732

A-14

Part Number	Stock Number	Amperage Capacity	Body Alloy	Electrode Capacity	Cable Conn Capacity	English Length	Metric Length
A532-MC**	9110-1109	200	Copper Alloy	thru 5/32" (4,0mm)	Ball-Point thru 2/0	8-1/2"	216mm
A316-MC**	9110-1110	250	Copper Alloy	thru 3/16" (4,8mm)	Ball-Point thru 2/0	9-1/4"	235mm
A732-MC**	9110-1111	300	Copper Alloy	thru 7/32" (5,6mm)	Ball-Point thru 2/0	10"	254mm
A-14	9110-1104	350	Copper Alloy	thru 1/4" (6,4mm)	Ball-Point thru 4/0	11"	279mm
A-14-HD	9110-1105	400	Copper Alloy	thru 1/4" (6,4mm)	Double Ball-Point thru 4/0	12"	305mm
A-38-HD	9110-1106	500	Copper Alloy	thru 3/8" (9,5mm)	Double Ball-Point thru 4/0	13-1/4"	336mm

** Sold in Master Pack Boxed Quantities of 24.

TWECOTONG Electrode Holder Parts



Description	A-532 Part No./ Stock No.	A-316 Part No./ Stock No.	A-732 Part No./ Stock No.	A-14 Part No./ Stock No.	A-14-HD Part No./ Stock No.	A-38-HD Part No./ Stock No.
Tip Insulation	A-532-1P 9910-2102	A-532-1P 9910-2102	A-732-1P 9910-2302	A-732-1P 9910-2302	A-732-1P 9910-2302	A-38-HD-1P 9910-2602
Body Insulation	A-532-3 9910-2103	A-532-3 9910-2103	A-532-3 9910-2103	A-14-3 9910-2403	A-14-3 9910-2403	A-38-HD-3 9910-2603
Lower Body Tong w/o Ins.	A-316-4R 9910-2204	A-316-4R 9910-2204	A-732-4 9910-2304	A-14-4 9910-2404	A-14-HD-4 9910-2504	A-38-HD-4 9910-2604
Spring w/Insulation	A-532-6 9910-2106	A-316-6 9910-2206	A-316-6 9910-2206			
Molded Handle	A-532-7 9910-2107	A-316-7 9910-2207	A-732-7 9910-2307	A-14-7 9910-2407	A-14-HD-7 9910-2507	A-38-HD-7 9910-2607
Hinge Pin	A-532-11 9910-2111	A-532-11 9910-2111	A-532-11 9910-2111	A-532-11 9910-2111	A-532-11 9910-2111	FGC-200-5 9910-2610
Handle Screws	AL-300-12 9910-2712	AL-300-12 9910-2712	AL-300-12 9910-2712	AL-300-12 9910-2712	AL-300-12 9910-2712	AL-300-12 9910-2712
Cable Conn. Screw	A-532-24 9910-2124	A-532-24 9910-2124	A-532-24 9910-2124	A-14-24 9910-2424	A-14-24 9910-2424	A-14-24 9910-2424

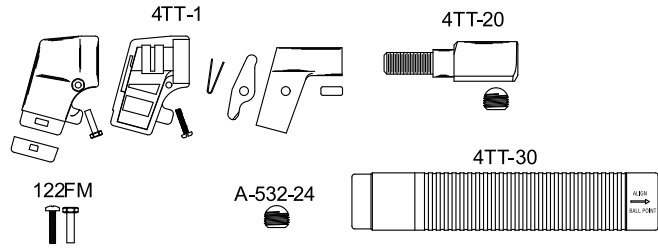


4TT

Part Number	Stock Number	Description	Amperage Capacity	Electrode Capacity	Cable Conn Capacity	English Length	Metric Length
4TT	9120-1000	TWECO-TITE Holder	400	1/16" thru 1/4" (1,6mm thru 6,4mm)	thru 3/0	9"	229mm

“TWECO-TITE” Holder Parts

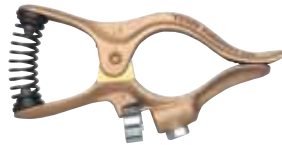
Part Number	Stock Number	Description
4TT-1	9911-2001	Head Assy - Complete (renewable)
4TT-20	9911-2020	Connector Body w/Ball-Point Screw
4TT-30	9911-2030	Handle Only
A-532-24	9910-2124	Ball-Point Screw
122FM	2020-2122	Binder Post & Screw - for Head Ins.



Tweco Ground Clamps



SGC-500



GC-300



FGC-500

Part Number	Stock Number	Amperage Capacity	Jaw Opening	Cable Conn Capacity	English Length	Metric Length
SGC-300	9205-1230	300	2" - Depth 1-3/4" (50,8mm - 44,4mm)	1/2" Stud Connection	9"	228mm
SGC-500	9205-1250	500	2" - Depth 1-3/4" (50,8mm - 44,4mm)	1/2" Stud Connection	9"	228mm
GC-200	9205-1120	200	1" - Depth 3" (25,4mm - 76,2mm)	Ball-Point thru 1/0	6"	157mm
GC-300MC**	9205-1131	300	1-1/2" - Depth 4" (38,1mm - 101,0mm)	Ball-Point thru 3/0	8-1/2"	216mm
GC-500	9205-1150	500	2" - Depth 5-1/4" (50,8mm - 133,0mm)	Ball-Point thru 4/0	10"	254mm
FGC-200	9205-1320	200	5/8" - Depth 2" (15,9mm - 50,8mm)	Ball-Point thru 1/0	5"	127mm
FGC-300	9205-1330	300	1" - Depth 3-1/2" (25,4mm - 88,9mm)	Ball-Point thru 3/0	7-1/4"	184mm

**Sold in Master Pack Boxed Quantities of 24.

Steel Clamp Parts

Part Number	Stock Number	Description
SGC-500-4	9920-2504	Cone Head Replacement Jaw - for SGC-300 and SGC-500

Copper Clamp Parts

Model No.	Insulated Spring		Cable Support Ring		Cable Connection Screw	
	Part No.	Stock No.	Part No.	Stock No.	Part No.	Stock No.
GC-300	GC-300-2	9920-2302	GC-300-11	9920-2311	GC-300-12	9920-2312

Heavy Duty Rotary Ground Devices

Tweco Roto-Ground is a highly efficient device for grounding weldments while being rotated on turning rolls or positioners. The 2" shaft shoulders up to a steel nut which the user welds to his rotating work or fixture. Tweco Roto-Grounds have no brushes, springs or mercury. A simple tension adjusting bolt provides maximum efficiency.



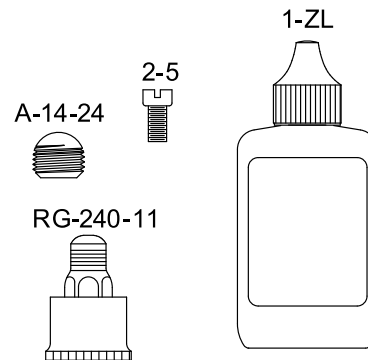
RG-440

GCRG-140

Part Number	Stock Number	Amperage Capacity	Cable Capacity	Number of Heads	Shaft Stud	English Length	Metric Length
RG-140	9250-1114	400	1-4/0	1	3/4" NC	8"	203mm
RG-230	9250-1123	600	2-3/0	1	1-1/8" NC	10-1/4"	260mm
RG-240	9250-1124	800	2-4/0	1	1-3/8" NC	10-5/8"	270mm
RG-440	9250-1144	1500	4-4/0	2	1-3/8" NC	10-5/8"	270mm
RG-640	9250-1164	2000	6-4/0	3	1-3/8" NC	10-5/8"	270mm
GCRG-140	9210-1314	400	1-4/0	1	3/4" NC		

Roto-Ground Parts

Part Number	Stock Number	Description
RG-240-11	9922-2129	Lubricating Cup
A-14-24	9910-2424	Ball-Point Cable Connection Screw
1Z-L	9900-1123	Special Shaft Lubricant
2-5	9940-2125	Fibre Cover Screw

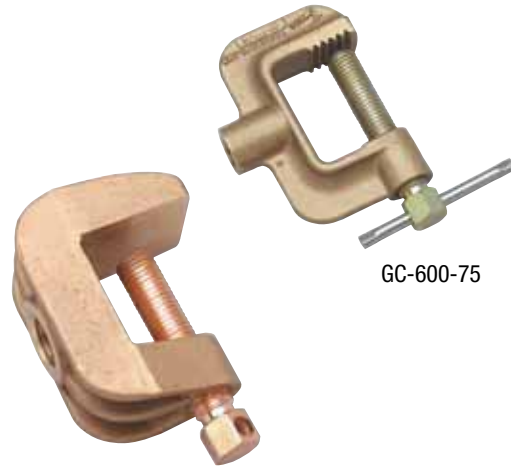


Description	RG-140 Part No./ Stock No.	RG-230 Part No./ Stock No.	RG-240 Part No./ Stock No.	RG-440 Part No./ Stock No.	RG-640 Part No./ Stock No.
Head	RG-140-2-0 9922-2103	RG-230-3-0 9922-2113	RG-240-4-0 9922-2124	RG-240-4-0 9922-2124	RG-240-4-0 9922-2124
Head Shaft	RG-140-2 9922-2102	RG-230-2 9922-2112	RG-240-2 9922-2122	RG-440-2 9922-2132	RG-640-2 9922-2142
Work Attachment Nut	RG-140-5 9922-2105	RG-230-5 9922-2115	RG-240-5 9922-2125	RG-240-5 9922-2125	RG-240-5 9922-2125
Fibre Cover		RG-240-7 9922-2127	RG-240-7 9922-2127	RG-240-7 9922-2127	RG-240-7 9922-2127

Tweco Roto-Work Grounding Clamps

Tweco Roto-Work Ground Clamps are designed primarily to work in conjunction with the Tweco Roto-Ground Device. However, they may also be used for other high amperage grounding applications. The Roto-Ground shaft screws into the tapped back of the Roto-Work Clamp. The clamp is quickly attached or moved from one rotating weldment or fixture to the other without removing the Roto-Ground from it. Saves welding down time.

Roto-Work Clamps are made from a copper alloy. They come in 600, 1200 and 2000 ampere capacity. Number WCRG-2000 has two tightening screws. Number WCRG-600 works only with No. RG-230 due to its smaller shaft size. Large tightening screws and ample contact surface area provide cool, efficient operation.



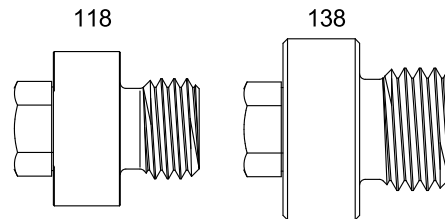
WCRG-1200

GC-600-75

Part Number	Stock Number	Amperage Capacity	Fits Roto-Ground	Clamp Contact	Throat Height	Throat Depth	Over-All Height	Over-All Width	Tapped For
WCRG-600	9255-1106	600	RG-230	6-1/4 Sq. In.	2-1/2" (63,5mm)	2-1/2" (63,5mm)	5-3/4" (146,0mm)	2-1/2" (63,5mm)	1-1/8" NC
WCRG-1200	9255-1112	1200	RG-240/440	9 Sq. In.	3" (76,2mm)	3" (76,2mm)	6-3/4" (171,0mm)	3" (76,2mm)	1-3/8" NC
WCRG-2000	9255-1120	2000	RG-440/640	12 Sq. In.	3" (76,2mm)	3" (76,2mm)	6-3/4" (171,0mm)	4" (102,0mm)	1-3/8" NC
GC-600-75	9255-1075	Clamp Only - Tapped 3/4" for RG-140 Roto-Ground Only							

Part Number	Stock Number	Amperage Capacity	Jaw Opening	Cable Conn Capacity
GC-600-50	9210-1150	500	2-1/2" - Depth 1-3/8" (63,5mm - 41,3mm)	1/2" Cap Screw
GC-600-DBP	9210-1201	600	2-1/2" - Depth 1-3/8" (63,5mm - 34,9mm)	Double Ball-Point
GC-600-TMP	9210-1202	600	2-1/2" - Depth 1-3/8" (69,5mm - 34,9mm)	Tweco Male Plug

Part Number	Stock Number	Description
118	9922-2018	Work Clamp Adapter
138	9922-2038	Work Clamp Adapter



"C" Type Clamp Parts

Part Number	Stock Number	Description
CS-6	9920-2100	Cap Screw - 1/2" x 3/4" NC
GCM-2-4	9920-2102	Fitting-No.2 Male Plug (threaded 1/2" NC)
GCS-40	9920-2103	Fitting-Double Ball-Point (threaded 1/2" NC)
24R-MBP	9940-2124	Cover

Switchable Magnetic Ground Clamps

Tweco is proud to introduce new magnetic ground clamps.

It's simple to use – just turn the knob. It's easy to operate and mounts on all surfaces. Turn the knob clockwise and you instantly have a secure grip. Perfect for flat and pipe applications. Available in 200, 300, and 600 Amp sizes, these ground clamps are designed to save welders time and money.

- Saves welders time and money
- Cuts set up time
- Convenient tab to easily attach ground line
- Clamp can be used to ground on flat, round, and irregular surfaces
- Choose between 200, 300, and 600 Amp clamps to meet any welding need
- Magnetic field is simple to turn on and off, making use and clean up quick and easy
- Easy to mount: simply attach your ground line to bolt connector tab
- Can withstand heat up to 176°F (80°C)
- Magnetic switch is easy to operate: a simple turn of the knob



Easy Connect & Easy Release On/Off Knob



SMGC200

Just Turn Off & Wipe Away Debris



SMGC300

Cuts Set Up Time



SMGC600

Part Number	Stock Number	Amp	Height	Width	Length	Weight	Std Pkg
SMGC200	9255-1060	200	2.5" (63,5mm)	1.58" (40,1mm)	2.19" (55,6mm)	0.38 lbs	10
SMGC300	9255-1061	300	2.26" (57,4mm)	1.58" (40,1mm)	2.7" (68,6mm)	0.61 lbs.	10
SMGC600	9255-1062	600	2.6" (66,0mm)	2.83" (71,9mm)	4.09" (103,9mm)	2.0 lbs	5



Patent Number: 6,707,360 & 7,012,495

magswitch

Tweco Cable Connectors

Tweco MPC connectors provide a positive cam action which optimizes interface between connector halves. The connectors are equipped with heat and oil resistant covers. The MPC connectors are furnished with zinc plated cover and ball-point cable screws. They are interchangeable with older Tweco MBP Connectors. The Whip Cable Connector is used when down sizing cable to an electrode holder. It is a No. 2 male connector with cable hole sized to fit 4, 2, 1 or 1/0 cable. The 2-1-MPC will fit any No. 2 or No. 4 female connector.



MPC SERIES POSITIVE-CAM MECHANICAL CONNECTION - ZINC PLATED TYPE CABLE & COVER SCREWS

Part Number	Stock Number	Description	Type Cable Connection	Cable Capacity	Standard Package
1-MPC	9425-1100	Complete Connection	Single Ball-Point	4, 2, 1	1 ea. Male/Female
1-MPC-1	9425-1110	Male Half	Single Ball-Point	4, 2, 1	Pkg. 2 ea. Male
1-MPC-2	9425-1120	Female Half	Single Ball-Point	4, 2, 1	Pkg. 2 ea. Female
2-MPC-MC**	9425-1201	Complete Connection	Single Ball-Point	1/0, 2/0, 3/0	1 ea. Male/Female
2-MPC-1-MC*	9425-1211	Male Half	Single Ball-Point	1/0, 2/0, 3/0	Pkg. 2 ea. Male
2-MPC-2-MC*	9425-1221	Female Half	Single Ball-Point	1/0, 2/0, 3/0	Pkg. 2 ea. Female
4-MPC-MC**	9425-1401	Complete Connection	Double Ball-Point	3/0 or 4/0	1 ea. Male/Female
4-MPC-1-MC*	9425-1411	Male Half	Double Ball-Point	3/0 or 4/0	Pkg. 2 ea. Male
4-MPC-2-MC*	9425-1422	Female Half	Double Ball-Point	3/0 or 4/0	Pkg. 2 ea. Female
2-1-MPC	9425-1140	Whip Connection	Single Ball-Point	4, 2, 1, 1/0	Pkg. 2 ea.

*Sold in Master Pack Boxed Quantities of 48.

**Sold in Master Pack Quantities of 24.



1-M-T



2-CLC

REPLACEMENT TAPERED MACHINE PLUGS - BALL-POINT CONNECTION

Part Number	Stock Number	Taper Length	Taper Dimension	Cable Capacity
1-M-T	9505-1800	1-1/8" (28,6mm)	21/64" to 23/64" (8,3mm x 9,1mm)	4, 2, 1
2-M-T	9505-1801	1-1/8" (28,6mm)	21.64" to 23/64" (8,3mm x 9,1mm)	1/0, 2/0, 3/0

RECEPTACLE CONVERSION ADAPTERS

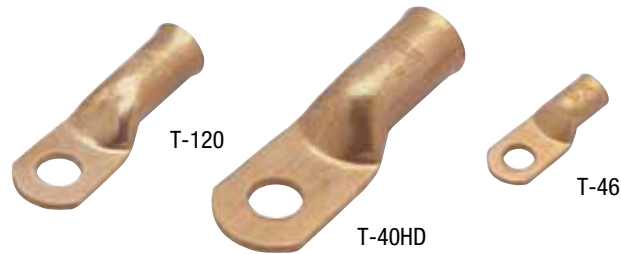
Part Number	Stock Number	Fits Cam Locking Machine Receptacle	Fits Tweco Male Plug Ends
2-CLC	9505-1811	Large - 11/16" I.D. (17,5mm)	No. 2-MPC, 4-MPC

CABLE CONNECTOR REPLACEMENT PARTS MPC SERIES POSITIVE-CAM - ZINC PLATED TYPE CABLE & COVER SCREWS

Part Number	Stock Number	Description
1R-C	9940-2103	Insulating Cover Only, All 1-MPC
24R-MBP	9940-2124	Insulating Cover Only, All 2 & 4 MPC
1-MBP-10	9940-2100	Cable Connection Screw, Zinc Plated, All 1-MPC
A-532-24	9910-2124	Cable Connection Screw, Zinc Plated, All 2-MPC
A-14-24	9910-2424	Cable Connection Screw, Zinc Plated, All 4-MPC
2-5	9940-2125	Cover Screw, Zinc Plated, All MPC Connectors

Twecolugs Crimp or Solder Type

(USE TWECO "LUG-SET")



Part Number	Stock Number	Welding Cable Size	Amp Rating	Size of Stud Hole	I.D. Solder Socket	Std Pkg
T-62-50	9520-1115	6 thru 2	150	17/32" (13,5mm)	.461" (11,7mm)	50
T-62	9520-1104	6 thru 2	150	17/32" (13,5mm)	.461" (11,7mm)	5
T-120-50	9520-1116	1 thru 2/0	225	17/32" (13,5mm)	.559" (14,2mm)	50
T-120	9520-1105	1 thru 2/0	225	17/32" (13,5mm)	.559" (14,2mm)	5
T-3040-25	9520-1117	3/0 & 4/0	250	17/32" (13,5mm)	.660" (16,7mm)	25
T-3040	9520-1107	3/0 & 4/0	250	17/32" (13,5mm)	.660" (16,7mm)	5
T-40HD-25	9520-1118	4/0 Heavy-Duty	325	21/32" (17,7mm)	.776" (19,7mm)	25
T-40HD	9520-1109	4/0 Heavy-Duty	325	21/32" (17,7mm)	.776" (19,7mm)	5
POWER CABLE LUGS						
T-810	9520-1101	8 thru 10	50	13/64" (5,2mm)	.238" (6,1mm)	10
T-68	9520-1102	6 thru 8	70	21/64" (8,3mm)	.289" (7,3mm)	10
T-46	9520-1103	4 thru 6	90	21/64" (8,3mm)	.347" (8,8mm)	10

Tweco Terminals and Twecolugs

TWECO SCREW-ON TERMINALS

FITS TERMINAL SIZE 1/2" (12,7MM) NC



Part Number	Stock Number	Accepts Tweco Connector Number
1-SF-50	9505-1151	No. 1 Male Half
2-SF-50	9505-1152	No. 2 & No. 4 Male Half

Tweco

Female Terminals

STUD HOLE SIZE 17/32" (13,5MM)

TWECO FEMALE TERMINALS			
Part No. Stock No.	Description	Accepts Male Ends	Standard Package
1-AF 9510-1100	45° Angle	1-MPC	1
1-OF-24 9510-1103	180° Offset	1-MPC	24
1-OF 9510-1101	180° Offset	1-MPC	1
2-AF-24 9510-1112	45° Angle	2-MPC, 4-MPC	24
2-AF 9510-1110	45° Angle	2-MPC, 4-MPC	1
2-OF 9510-1111	180° Offset	2-MPC, 4-MPC	1



Ball-Point Connection Type Lugs

STUD HOLE SIZE 17/32" (13,5MM)

BALL-POINT CONNECTION TYPE LUGS			
Part No. Stock No.	Description	Cable Capacity	Standard Package
10-45 9515-1100	45° Angle less insulated cover	thru 1/0	1
10-180 9515-1102	180° Offset less insulated cover	thru 1/0	1
40-45 9515-1110	45° Angle less insulated cover	thru 4/0	1
40-180 9515-1112	180° Offset less insulated cover	thru 4/0	1
10-45C 9515-1101	45° Angle with insulated cover	thru 1/0	1
10-180C 9515-1103	180° Offset with insulated cover	thru 1/0	1
40-45C 9515-1111	45° Angle with insulated cover	thru 4/0	1
40-180C 9515-1113	180° Offset with insulated cover	thru 4/0	1



Heavy-Duty Type Lugs

MECHANICAL BALL-POINT

Part No. Stock No.	Description	Cable Capacity	Size Of Stud Hole	English Package	Metric Length
140-HD-180 9515-1120	180° Offset	3/0 & 4/0	21/32" (16,7mm)	4-3/8"	111mm
140-HD-180C 9515-1121	With Insulated Cover - 180° Offset	3/0 & 4/0	21/32" (16,7mm)	5-1/2"	140mm
240-HD-180 9515-1122	180° Offset	3/0 & 4/0	21/32" (16,7mm)	4-5/8"	131mm



140-HD-180



140-HD-180C



240-HD-180

Tweco Cable Splicers

BALL-POINT TYPE

Part No. Stock No.	Cable Fitting Type	Cable Capacity	Standard Package
BP-410 9605-1101	Ball Point	4, 2, 1, 1/0	1
BP-1030 9605-1103	Ball Point	1/0, 2/0, 3/0	1
BP-2040 9605-1105	Double Ball Point	2/0, 3/0, 4/0	1



BP-1030

Panel Receptacles

USE WITH MPC CONNECTORS

Part No. Stock No.	Cable Fitting Type	Fits Tweco Connector	For Cable Size	Cable Attachment
1516-BPF 9580-1100	Ball-Point	No. 1	4, 2, 1	5/16" Ball-Point (7,9mm)
114-TSF 9580-1101	Threaded	No. 1	4, 2, 1, 1/0	5/16" Thread, Stud (7,9mm)
238-TSF 9580-1102	Threaded	No. 2, 4	1/0, 2/0, 3/0	3/8" Thread, Stud (9,5mm)
2916-BPF 9580-1103	Ball-Point	No. 2, 4	1/0, 2/0, 3/0	9/16" Ball-Point (14,3mm)
212-TSF 9580-1104	Threaded	No. 2, 4	1/0, 2/0, 3/0	1/2" - 20 Thread, Stud (12,7mm)



238-TSF



2916-BPF

Cable Splicers

Part No. Stock No.	Description	Welding Cable Size	Tube I.D.	Standard Package
TS-62-50 9610-1105	Copper Splicer	6 thru 2	.461" (11,7mm)	50
TS-62 9610-1101	Copper Splicer	6 thru 2	.461" (11,7mm)	5
TS-120 9610-1102	Copper Splicer	1 thru 2/0	.599" (15,2mm)	5
TS-3040 9610-1103	Copper Splicer	3/0 thru 4/0	.660" (16,8mm)	5
TS-40HD 9610-1104	Copper Splicer	4/0 Heavy-Duty	.776" (19,7mm)	5



TS-3040

Tweco "Lug-Set" Block & Punch

FOR USE WITH TWECOLUGS

Part No. Stock No.	Description
12-BP 9900-1140	Block & Punch



12-BP

Jacket Stripping Cable Cutting Hand Tool

Part No. Stock No.	Description
T-908 9900-1190	Tweco Cable Cutting Hand Tool



T-908

Tweco Shaft Lubricant

An electrical conductive grease to be used as a lubricant for roto-grounds and may be used when making mechanical connections with copper or aluminum cables. Effective as a lubricant on sliding or moving electrical contacts such as switches and rotating grounding devices. Apply generously to contact area from 1 oz. (29,6ml) or 8 oz. (237,0ml) plastic squeeze bottles. Reduce electrical resistance by as much as 40 to 50%

Part No. Stock No.	Description
1Z-L 9900-1123	Tweco Shaft Lubricant, 1 oz. (29,6ml) Plastic Squeeze Bottle
8Z-L 9900-1124	Tweco Shaft Lubricant, 8 oz. (237,0ml) Plastic Squeeze Bottle
5B-L 9900-1125	Tweco Shaft Lubricant, 5 lb. (2,3kg) Jar



1Z-L

8Z-L

Tweco WeldSkill Electrode Holders



Part Number	Stock Number	Electrode Capacity	Amperage Capacity	Body Material	Cable Capacity	Length in/mm
WS532	9110-1180	5/32" (4,0mm)	200	Brass Alloy	Through 2/0	8-1/4" (209mm)
WS316	9110-1181	3/16" (5,0mm)	250	Brass Alloy	Through 2/0	9-1/4" (235mm)
WS732	9110-1182	7/32" (5,5mm)	300	Brass Alloy	Through 2/0	10" (253mm)
WS350E	9110-1118	1/4" (6,4mm)	350	Copper Alloy	Through 4/0	11" (279mm)
WS400E	9110-1119	1/4" (6,4mm)	400	Copper Alloy	Through 4/0	12" (305mm)

Tweco WeldSkill "Hold-Tite" Electrode Holder



Part Number	Stock Number	Description
WHT-400	9120-1010	400 Amp WeldSkill "Hold-Tite" Electrode Holder

Tweco WeldSkill Standard & Dinse Cable Connectors



Part Number	Stock Number	Description	Cable Capacity	Standard Package
POSITIVE-CAM MECHANICAL CABLE CONNECTORS				
1-WPC	9425-1125	Complete Set of Connectors	4, 2, 1	1
1-WPC-P	9425-1126	Connector Male Half Only	4, 2, 1	2
1-WPC-R	9425-1127	Connector Female Half Only	4, 2, 1	2
2-WPC	9425-1225	Complete Set of Connectors	1/0, 2/0, 3/0	1
2-WPC-P	9425-1226	Connector Male Half Only	1/0, 2/0, 3/0	2
2-WPC-R	9425-1227	Connector Female Half Only	1/0, 2/0, 3/0	2
4-WPC	9425-1425	Complete Set of Connectors	3/0 or 4/0	1
4-WPC-P	9425-1246	Connector Male Half Only	3/0 or 4/0	2
4-WPC-R	9425-1247	Connector Female Half Only	3/0 or 4/0	2
DINSE STYLE MECHANICAL CABLE CONNECTORS				
WDC-25	9425-1445	Complete Set of Connectors	4, 2, 1	1
WDC-25-P	9425-1446	Connector Male Half Only	4, 2, 1	2
WDC-25-R	9425-1447	Connector Female Half Only	4, 2, 1	2
WDC-50	9425-1430	Complete Set of Connectors	1/0, 2/0, 3/0	1
WDC-50-P	9425-1431	Connector Male Half Only	1/0, 2/0, 3/0	2
WDC-50-R	9425-1432	Connector Female Half Only	1/0, 2/0, 3/0	2
WDC-75	9425-1435	Complete Set of Connectors	3/0 or 4/0	1
WDC-75-P	9425-1436	Connector Male Half Only	3/0 or 4/0	2
WDC-75-R	9425-1437	Connector Female Half Only	3/0 or 4/0	2

Tweco WeldSkill Ground Clamps



WS300GC



WS300SGC

Part Number	Stock Number	Amp Rating	Jaw Opening	Jaw Depth	Cable Capacity	Length in/mm
Copper Ground Clamps						
WS200GC	9205-1215	200	1" (24mm)	2-1/2" (63mm)	Through 1/0	6" (152mm)
WS300GC	9205-1216	300	1-1/2" (38mm)	3-1/2" (88mm)	Through 2/0	8-1/4" (209mm)
WS500GC	9205-1217	500	2" (50mm)	4-7/8" (123mm)	Through 3/0	10" (253mm)
Steel Ground Clamps						
WS180SGC	9205-1245	180	1-3/4" (44mm)	2" (50mm)	Through 1/0	6-1/2" (165mm)
WS300SGC	9205-1246	300	2" (50mm)	2-1/2" (63mm)	Through 3/0	7-3/4" (196mm)
WS500SGC	9205-1247	500	2-1/4" (50mm)	3" (76mm)	Through 4/0	9-1/2" (241mm)

Tweco WeldSkill Panel Receptacles

TO FIT DINSE STYLE MALE CONNECTORS

Part Number	Stock Number	Fits WeldSkill Connector	For Cable Size	Standard Package
WDP-25	9580-1129	Panel fitting accepts WDC-25-P	4,2,1	1
WDP-50	9580-1130	Panel fitting accepts WDC-50-P & WDC-75-P	1/0 through 4/0	1



WDP-25

Tweco WeldSkill Miscellaneous Connectors

Part Number	Stock Number	Description
1MDC-CK	9425-1244	25mm Dinse Male to Tweco® #1 Positive Cam Connectors
2MDC-CK	9425-1240	50mm Dinse Male to Tweco® #2 & #4 Positive Cam Connectors
50-AFD	9510-1125	Machine Threaded Stud fitting accepts WDC-50-P & WDC-75-P

Tweco WeldSkill Hammer-on Cable Lugs

Part Number	Stock Number	Cable Size	Amp Rating	Stud Hole Size	I.D. Cable Socket	Quantity Per Pkg
WS-3040H	9520-1128	3/0 through 4/0	250	17/32" (13,5mm)	.660" (16,8mm)	5
WS-120H	9520-1127	1through 2/0	225	17/32" (13,5mm)	.559" (14,2mm)	5
WS-62H	9520-1125	6 through 2	150	17/32" (13,5mm)	.461" (11,7mm)	5



WS-62H



WS-120H



WS-3040H

THE AMERICAS

Denton, TX USA

U.S. Customer Care

Ph: (1) 800-426-1888

Fax: (1) 800-535-0557

International Customer Care

Ph: (1) 940-381-1212

Fax: (1) 940-483-8178

Miami, FL USA

Sales Office, Latin America

Ph: (1) 954-727-8371

Fax: (1) 954-727-8376

Oakville, Ontario, Canada

Canada Customer Care

Ph: (1) 905-827-4515

Fax: (1) 800-588-1714

EUROPE

Chorley, United Kingdom

Customer Care

Ph: (44) 1257-261755

Fax: (44) 1257-224800

Milan, Italy

Customer Care

Ph: (39) 0236546801

Fax: (39) 0236546840

ASIA/PACIFIC

Cikarang, Indonesia

Customer Care

Ph: 62 21+ 8983-0011 / 0012

Fax: 62 21+ 893-6067

Osaka, Japan

Sales Office

Ph: 816-4809-8411

Fax: 816-4809-8412

Melbourne, Australia

Australia Customer Care

Ph: 1300-654-674

Fax: 613+ 9474-7391

International

Ph: 613+ 9474-7508

Fax: 613+ 9474-7488

Rawang, Malaysia

Customer Care

Ph: 603+ 6092-2988

Fax: 603+ 6092-1085

Shanghai, China

Sales Office

Ph: 86-21-64072626

Fax: 86-21-64483032

Singapore

Sales Office

Ph: 65+ 6832-8066

Fax: 65+ 6763-5812

Catalog

**ISO 9001
REGISTERED FIRM**

The Quality System of
Thermadyne at our
Denton, Roanoke and
Hermosillo locations
is registered to meet the
requirements of ISO 9001



**U.S. Customer Care: 800-426-1888 / FAX 800-535-0557 • Canada Customer Care: 905-827-4515 / FAX 800-588-1714
International Customer Care: 940-381-1212 / FAX 940-483-8178 • www.tweco.com**



WORLD HEADQUARTERS: 16052 Swingley Ridge Road, Suite 300 • St. Louis, Missouri 63017 U.S.A.

A Global Cutting & Welding Market Leader™

THE AMERICAS

Denton, TX USA

U.S. Customer Care

Ph: (1) 800-426-1888

Fax: (1) 800-535-0557

International Customer Care

Ph: (1) 940-381-1212

Fax: (1) 940-483-8178

Miami, FL USA

Sales Office, Latin America

Ph: (1) 954-727-8371

Fax: (1) 954-727-8376

Oakville, Ontario, Canada

Canada Customer Care

Ph: (1) 905-827-4515

Fax: (1) 800-588-1714

EUROPE

Chorley, United Kingdom

Customer Care

Ph: (44) 1257-261755

Fax: (44) 1257-224800

Milan, Italy

Customer Care

Ph: (39) 0236546801

Fax: (39) 0236546840

ASIA/PACIFIC

Cikarang, Indonesia

Customer Care

Ph: 62 21+ 8983-0011 / 0012

Fax: 62 21+ 893-6067

Osaka, Japan

Sales Office

Ph: 816-4809-8411

Fax: 816-4809-8412

Melbourne, Australia

Australia Customer Care

Ph: 1300-654-674

Fax: 613+ 9474-7391

International

Ph: 613+ 9474-7508

Fax: 613+ 9474-7488

Rawang, Malaysia

Customer Care

Ph: 603+ 6082-2988

Fax: 603+ 6082-1085

Shanghai, China

Sales Office

Ph: 86-21-64072626

Fax: 86-21-64483032

Singapore

Sales Office

Ph: 65+ 6832-8066

Fax: 65+ 6763-5812